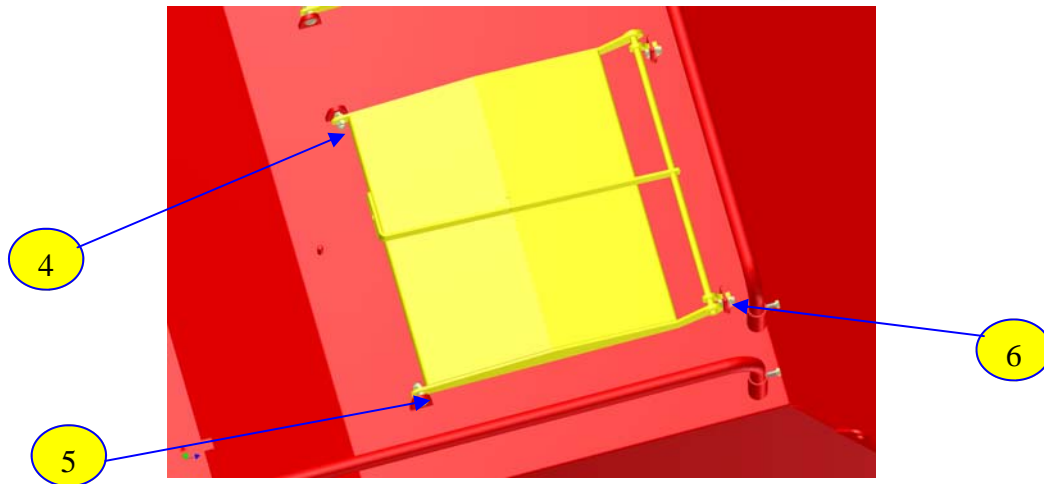
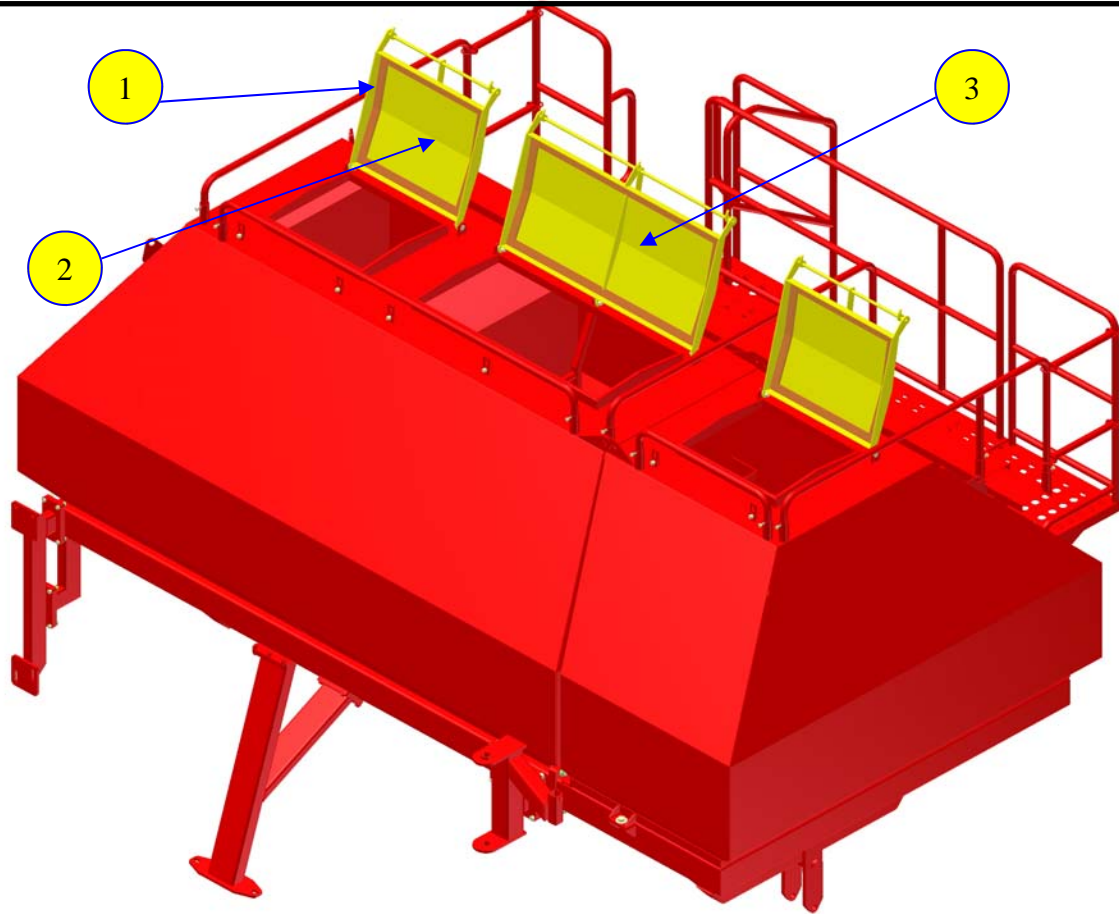
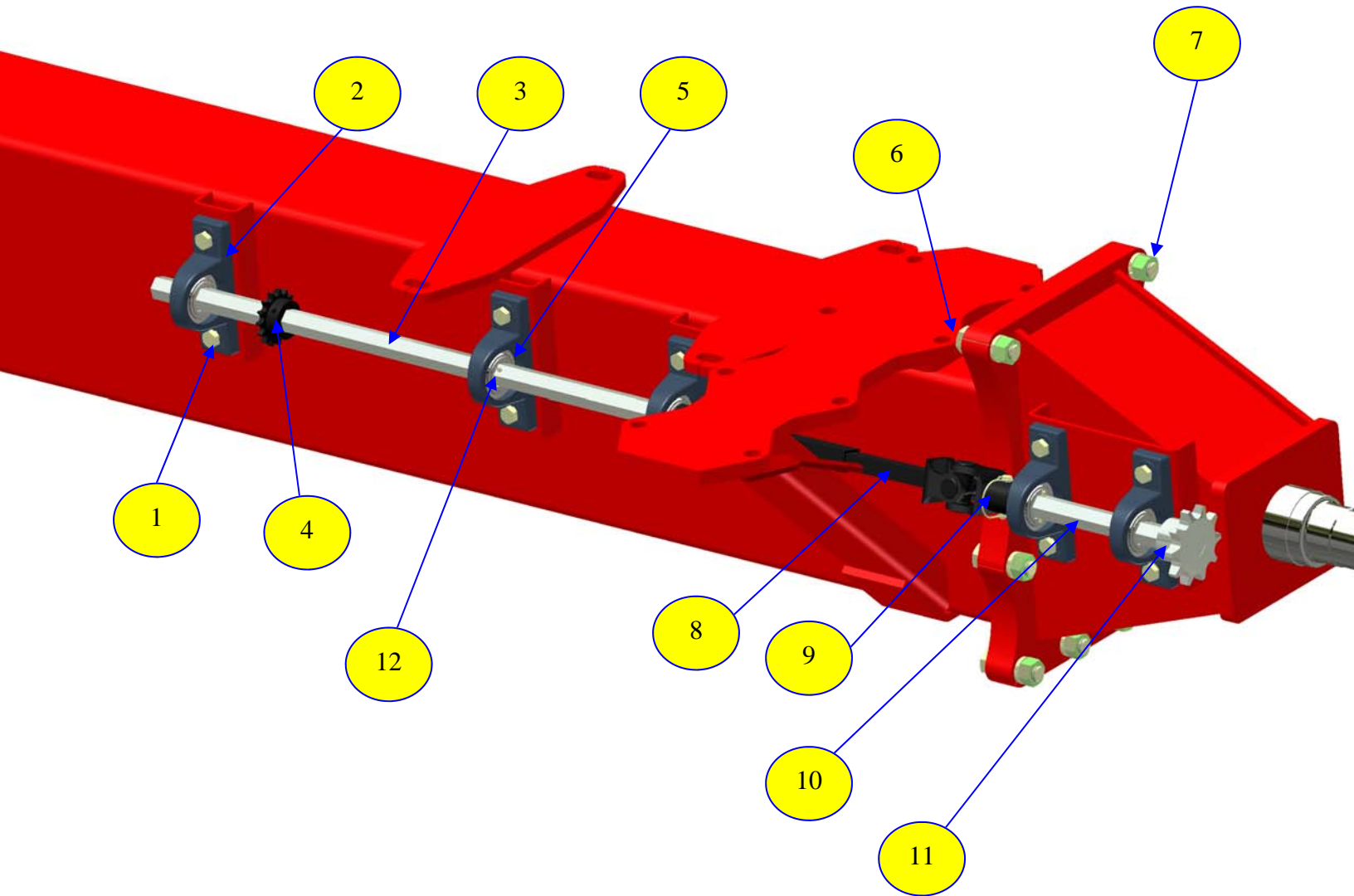


SH 1220-12 267 TANK LIDS



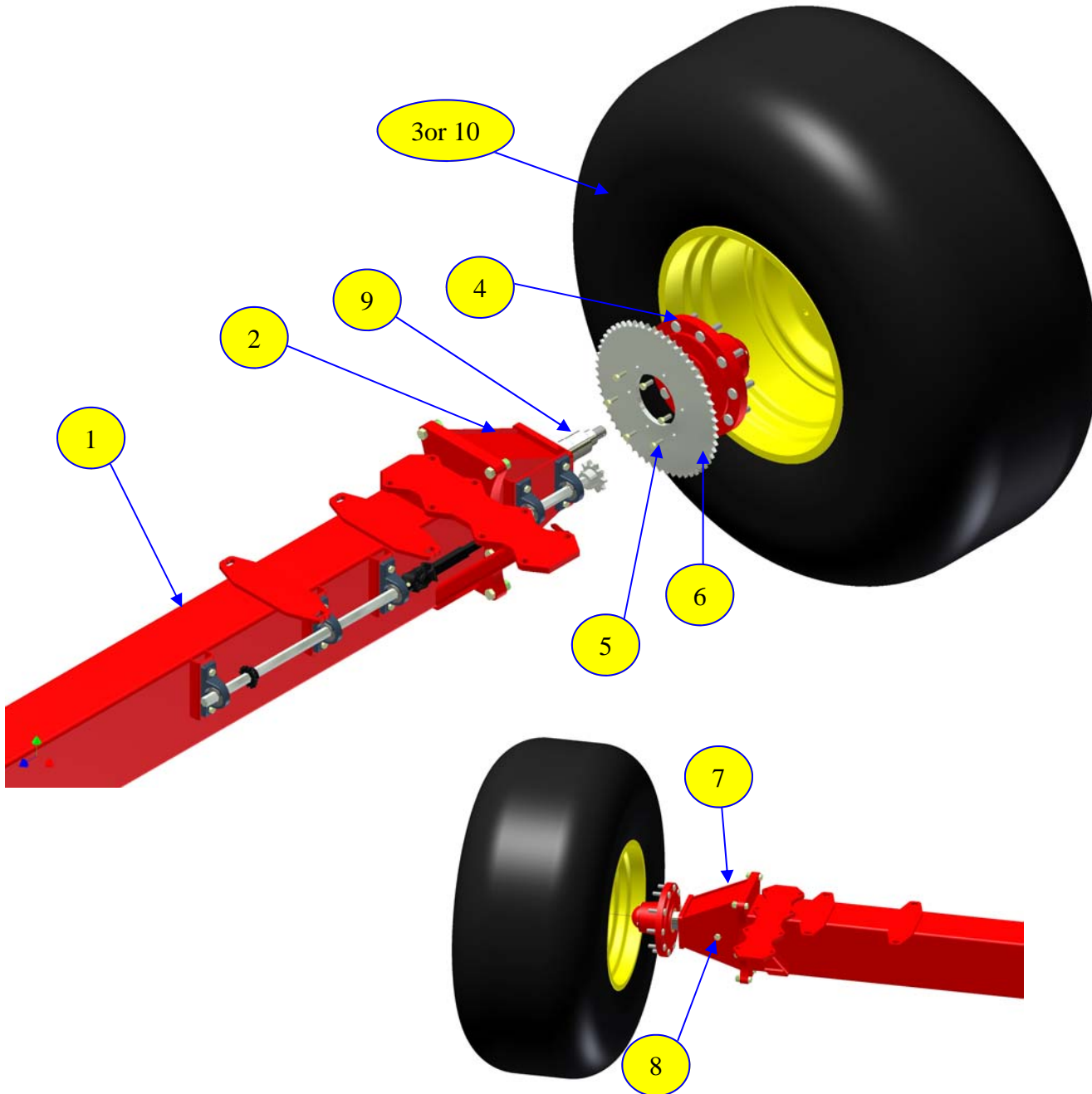
Item #	Qty	Part #	Description	Dimensions	Notes
1		310656	1/2 x 1-1/2 silicone sealant foam		Comes on #2 and #3. For #2 there is 96 inches. For #3 there is 134 inches.
2	2	312167	24 inch lid assy		Complete lid.
3	1	312157	43 inch lid assy		Complete lid.
4	14	311047	1/2 NC Gr2 YZ (Hex Nylon Lock Nut)		Also #311051 (1/2 NC Gr8 YZ Hex Nut)
5	7	310301	1/2 x 2 NC Gr5 YZ (Carriage Head)		
6	7	310293	1/2 x 1-1/4 NC Gr5 HH YZ		

SH 1220-12 28L26 DRIVE LINE



Item #	Qty	Part #	Description	Dimensions	Notes
1	10	310323	5/8 x 2-1/2 NC Gr5 HH YZ bolt		(311055 flange nut) behind
2	5	311722	P-206 pillow block		
3	1	310602	1'' C1018 hex bar	1 x 36 inches	Varies (check)
4	1	311726	40 pitch 15 tooth 1'' hex bore sprocket		Comes with set screw
5	5	313299	1'' hex bearing		
6	14	310339	3/4'' x 2-1/2'' NC Gr 8 HH YZ bolt	3/4 x 2-1/2	
7	14	310226	3/4'' NC Gr5 YZ hex nut	3/4	(Lock Washer Part # 310227)
8	1	313303	48'' drive line assembly		Varies cut down to size
9	1	311148	1/4 x 1-3/4 wire lock pin		
10	1	310602	1'' C1018 hex bar	1 x 11.5 inches	Varies (check)
11	1	311725	80 pitch 10 tooth 1'' hex bore		Roll pin 1/4 x 2 Part # 311161
12	5	311158	3/16 x 1-12 roll pin	3/16 x 1-1/2	

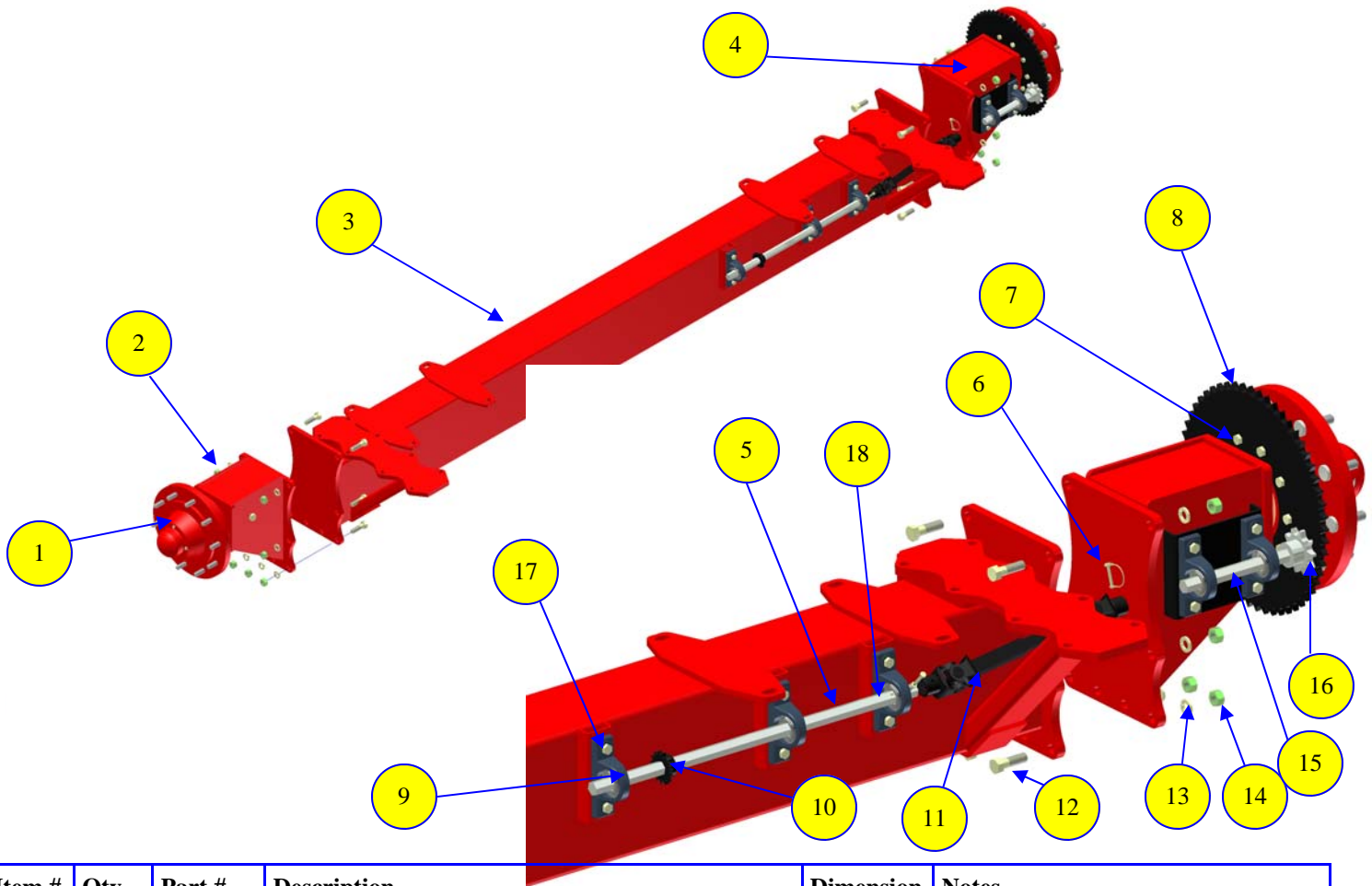
SH-1220-12 or SH 1830 28L26 REAR AXLE



Item #	Qty	Part #	Description	Dimensions	Notes
1	1	313187	Middle common section(2007)		Same used on all axles
2	1	310950	Bolt on 28L Diamond and Bar axle stub		
3	2	311738	28L26 Alliance diamond tread (A.N.S)		
4	2	311750	28L26 Hub HA1010-5		
5	6	310286	7/16 x 2'' NF Gr 5 bolt	7/16 x 2'' NF	
6	1	313492	80 pitch 56 tooth 6'' bore		
7	1	310954	Bolt on 28L Diamond and Bar axle stub (right)		
8	2	310225	3/4 x 9 NC Gr 5 YZ HH bolt	3/4 x 9 inch	Comes with Part # 311066, 310227
9	2	311596	3.5 x 20.5 spindle(28L26 spindle)	3.5 x 20.5 inches	
10	2	311737	28L26 Alliance bar lugs (S.A.T)		

SH 1220-12

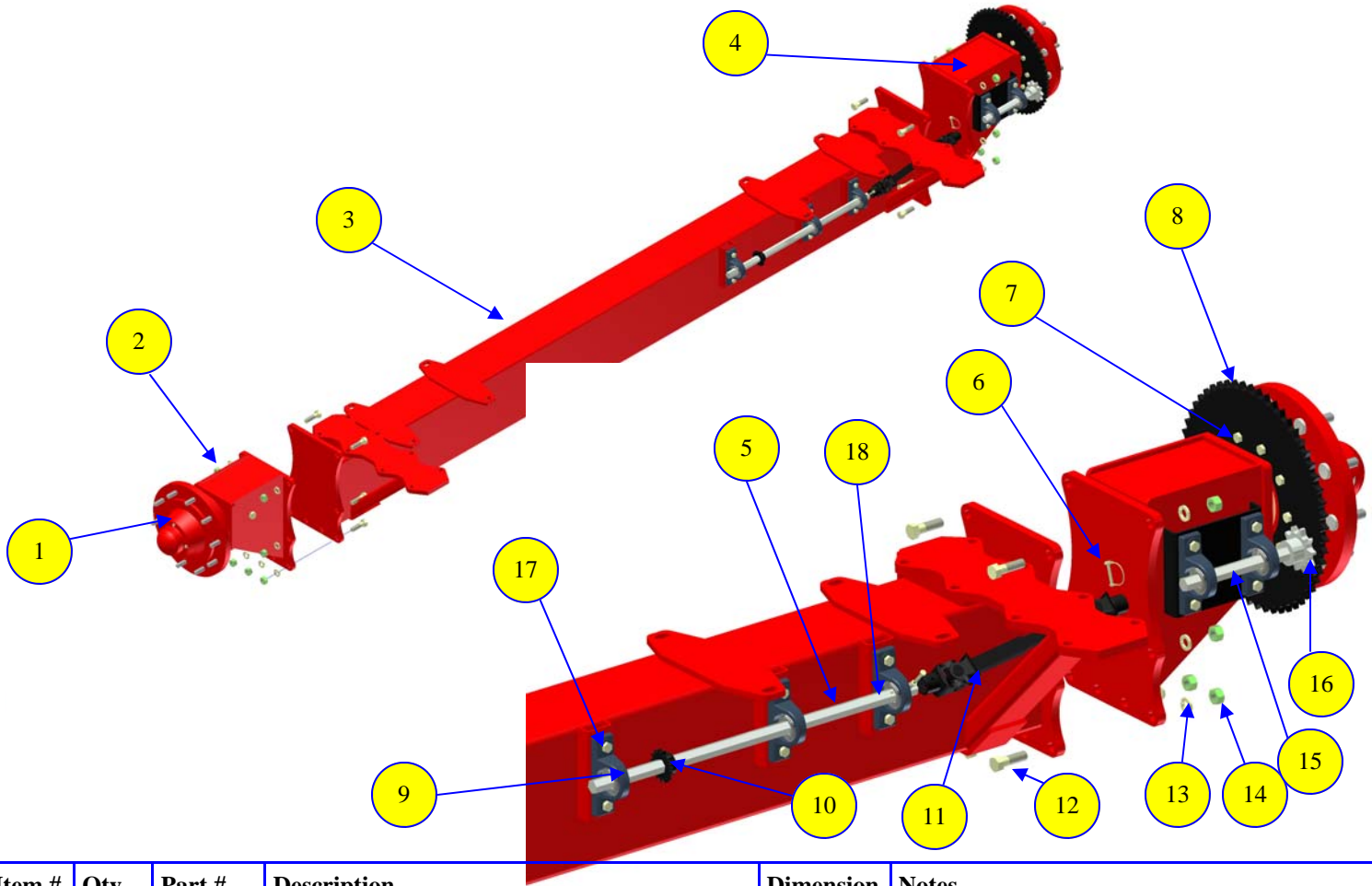
30.5 DIAMOND(A.N.S) AXLE AND DRIVE



Item #	Qty	Part #	Description	Dimension	Notes
1	2	311749	30.5L32 Hub assembly (HDA1021)		
2	1	310956	Bolton 30.5 L diamond (A.N.S) axle stub (right)		
3	1	313187	Middle axle Common Section(2007)		
4	1	310952	Bolton 30.5L diamond (A.N.S) axle stub (drive side)		
5	1	310602	1 C1018 hex bar	36" long	Varies in length.
6	1	311148	1/4 x 1-3/4 usable round wire lock pin Gr2 YZ		
7	6	310294	1/2 x 1-1/4 NF Gr8 HH YZ		
8	1	313493	80 pitch 56 tooth sprocket 7" bore		
9	5	311722	P206 Pillow block		313299 1" Hex bore bearing
10	1	311726	40B15 drive sprocket 1" hex bore		Roll pin # 311158. Includes set screw
11	1	313303	48" Driveline assembly		
12	8	310339	3/4 x 2-1/2 NC Gr8 HH YZ		16 counting both sides
13	8	310227	3/4 YZ (Lock Washer)		16 counting both sides
14	8	310226	3/4 NC Gr5 YZ (Hex Nut)		16 counting both sides
15	1	310602	1 C1018 hex bar	11.5" long	Varies in length.
16	1	311725	10 tooth No.80 1in. pitch sprocket		
17	6 or 4	310319	5/8 x 2 NC Gr5 HH YZ		Pillow blocks on axle are 5/8"x2" NC Gr 5 bolt
18	5	311158	3/16 x 1 1/2 roll pin Gr2 YZ		

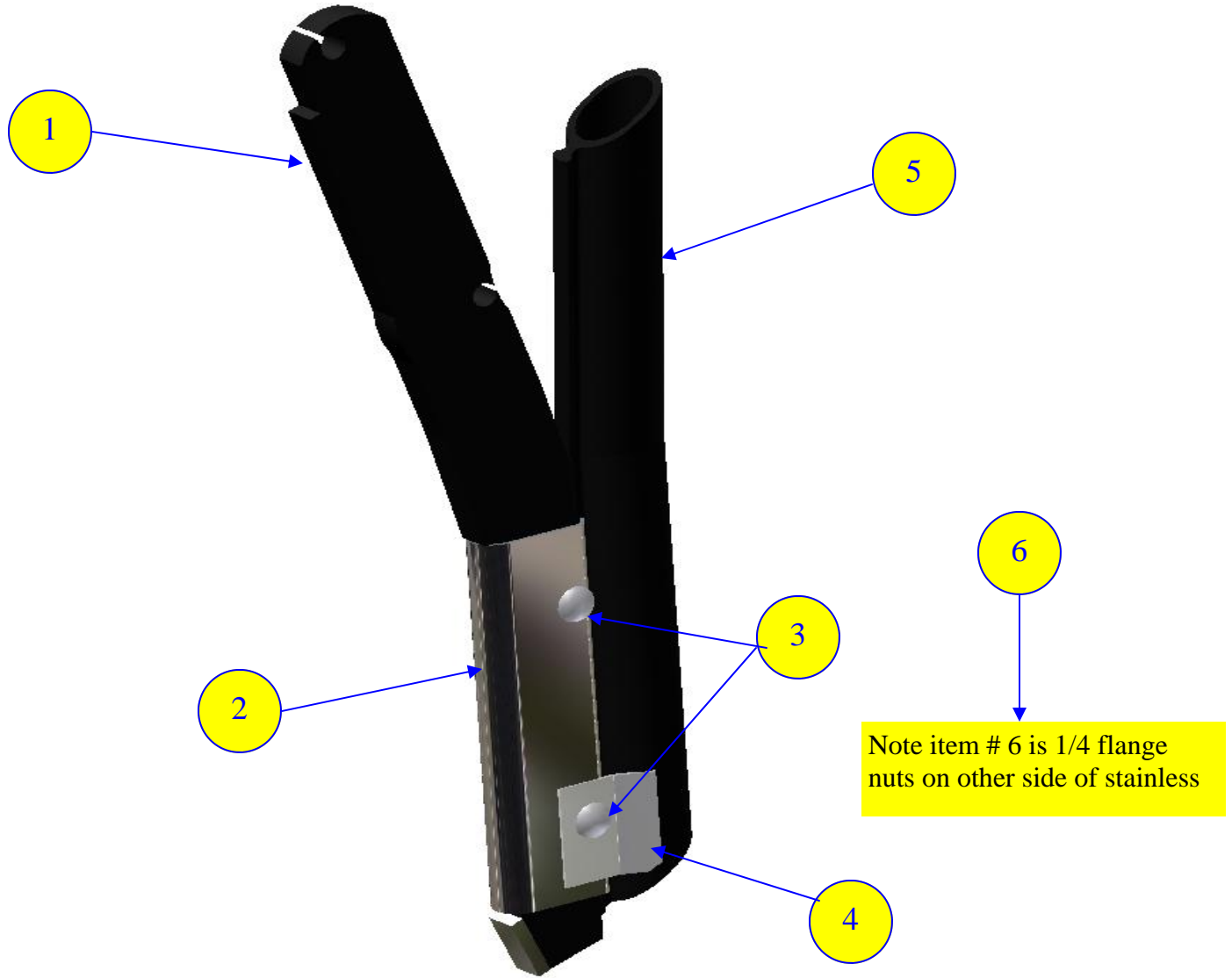
SH 1220-12

30.5 BAR LUG AXLE AND DRIVE



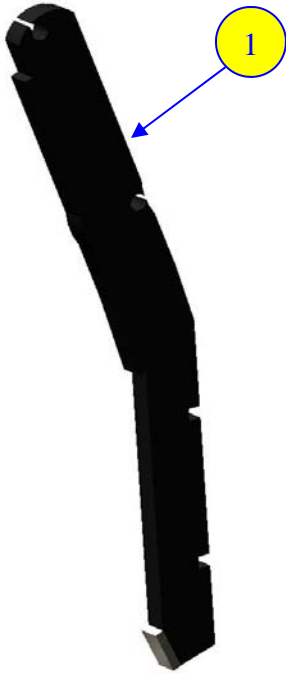
Item #	Qty	Part #	Description	Dimension	Notes
1	2	311749	30.5L32 Hub assembly (HDA1021)		
2	1	310955	Bolton 30.5 L Bar lug axle stub (right)		
3	1	313187	Middle axle Common Section(2007)		
4	1	310951	Bolton 30.5L Bar lug axle stub (drive side)		
5	1	310602	1 C1018 hex bar	36" long	Varies in length.
6	1	311148	1/4 x 1-3/4 usable round wire lock pin Gr2 YZ		
7	6	310294	1/2 x 1-1/4 NF Gr8 HH YZ		
8	1	313493	80 pitch 56 tooth sprocket 7" bore		
9	5	311722	P206 Pillow block		313299 1" Hex bore bearing
10	1	311726	40B15 drive sprocket 1" hex bore		Was roll pin # 311158. Comes with set screw.
11	1	313303	48" Driveline assembly		
12	8	310339	3/4 x 2-1/2 NC Gr8 HH YZ		16 counting both sides
13	8	310227	3/4 YZ (Lock Washer)		16 counting both sides
14	8	310226	3/4 NC Gr5 YZ (Hex Nut)		16 counting both sides
15	1	310602	1 C1018 hex bar	11.5" long	Varies in length.
16	1	311725	10 tooth No.80 1in. pitch sprocket		
17	6 or 4	310319	5/8 x 2 NC Gr5 HH YZ		Pillow blocks on axle are 5/8"x2" NC Gr 5 bolt
18	5	311158	3/16 x 1 1/2 roll pin Gr2 YZ		

SH1220-12 SEED KNIFE (INDIVIDUAL PARTS)



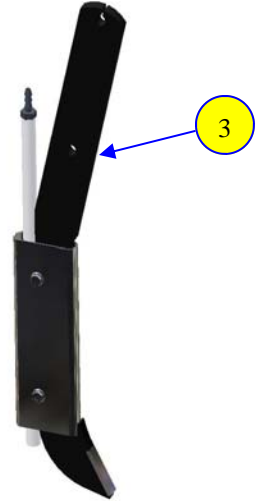
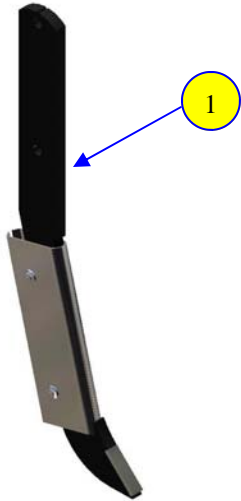
Item #	Qty	Part #	Description	Width	Length	Notes
1	1	310059	Seed Knife with carbide			
2	1	310062	Seed stainless clip			
3	2	310200	1/4 x 1 NC Gr 5 YZ (carriage head)	1/4 inch	1 inch	
4	1	310063	Seed clip protector			
5	1	310014	1'' drop tube	1 inch	10.5 inches	Priced per inch
6	2	310201	1/4 NC Gr5 YZ (Hex serrated Flange Nut)	1/4		

SH 1220-12 SEED KNIVES



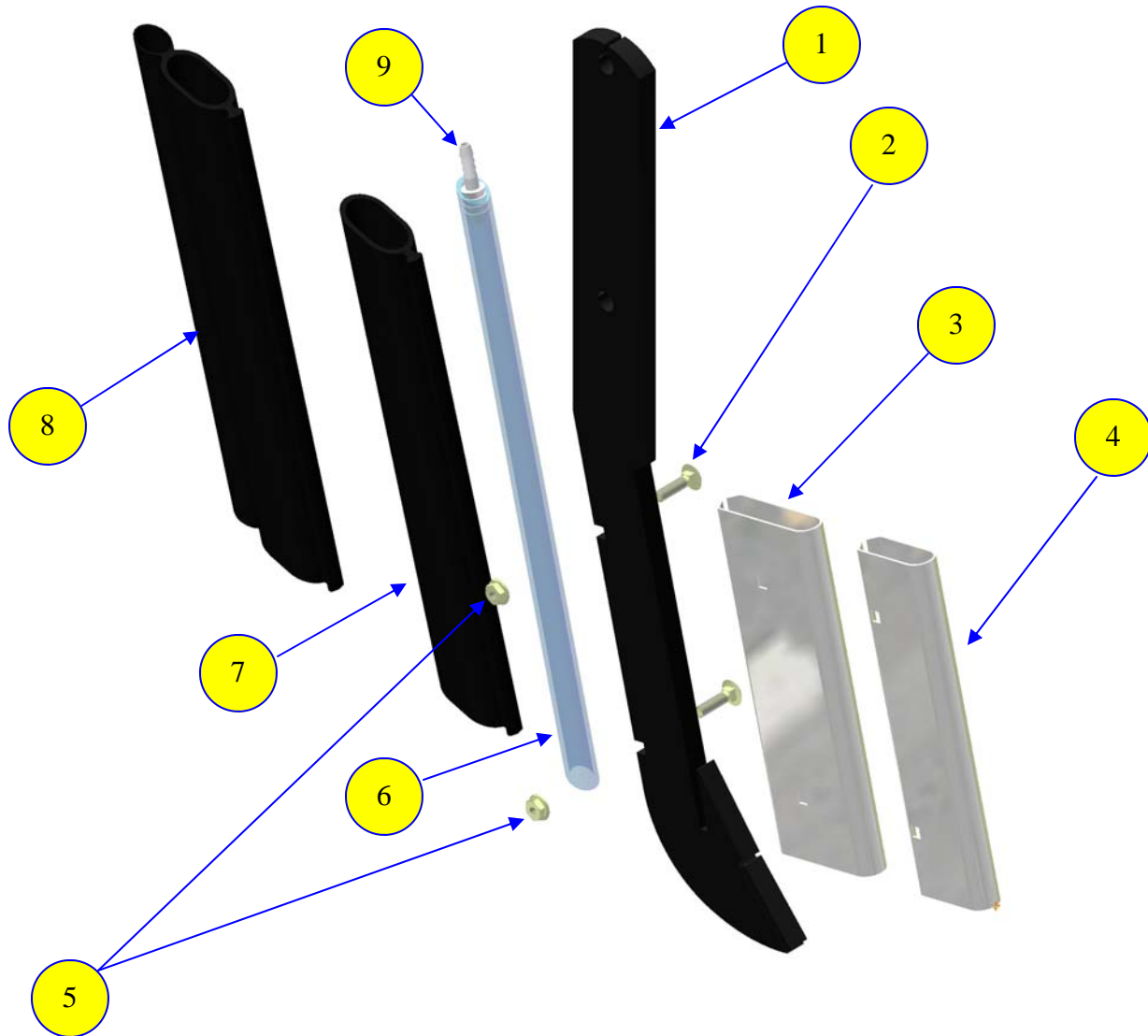
Item #	Qty	Part #	Description	Notes
1	1	310059	Knife with carbide	
2	1	310682	Knife with carbide, seed clip, seed protector clip	Comes with Seed clip nuts and bolts
3	1	310058	Complete seed knife	Knife, carbide, Seed clip, seed protector clip, nuts, bolts for stainless

SH 1220-12 FERTILIZER KNIVES



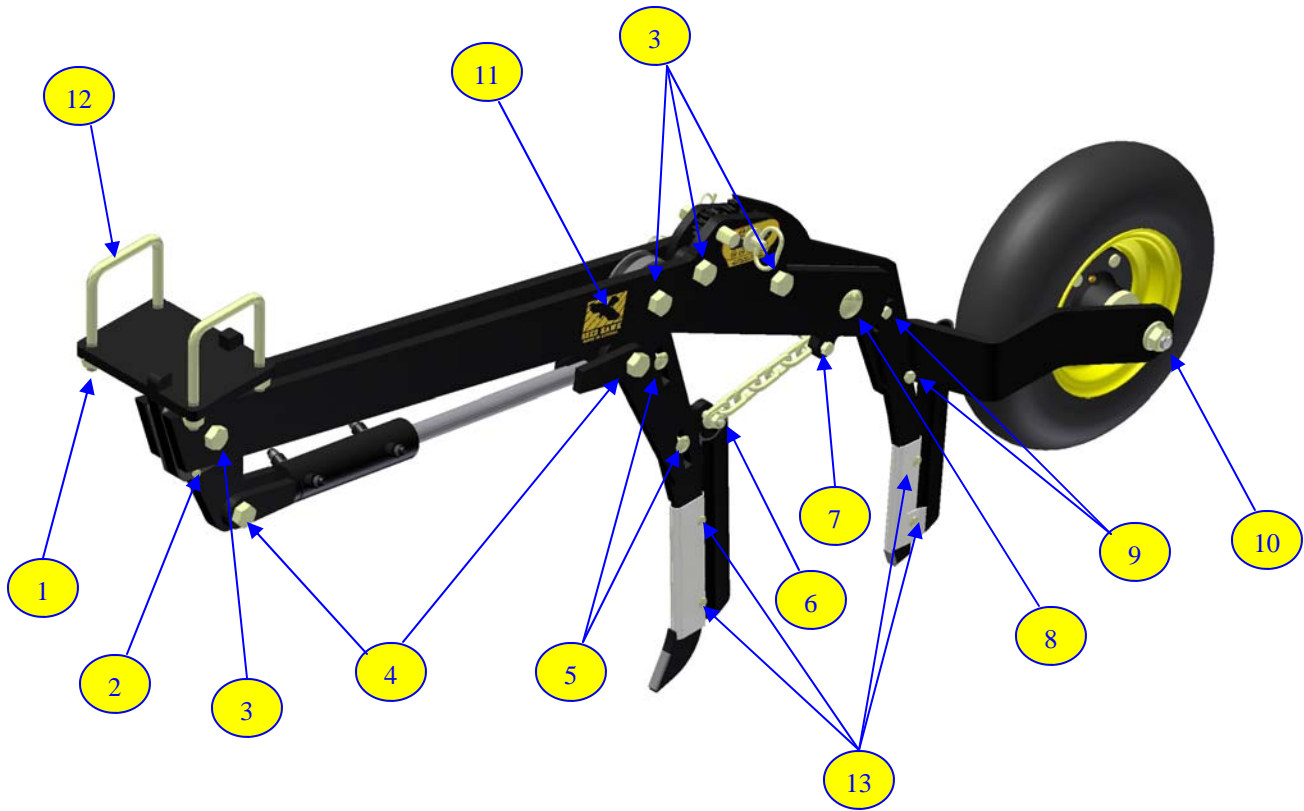
Item #	Qty	Part #	Description	Width	Length	Notes
1	1	310677	Fertilizer knife/carbide/NH3 stainless steel clip			
2	1	310678	Fertilizer knife/carbide/dry Stainless steel clip			
3	1	310679	Complete liquid fertilizer knife			Knife, carbide , NH3 clip, liquid tube
4	1	310680	Complete liquid/dry fertilizer knife			Knife, carbide, liquid tube, NH3 clip, drop tube
5	1	310681	Complete NH3/Dry fertilizer knife			Knife, carbide, NH3 clip, drop tube
6	1	310011	Complete dry fertilizer knife			Knife, carbide, dry clip, drop tube

SH 1220-12 FERTILIZER KNIFE (INDIVIDUAL PARTS)



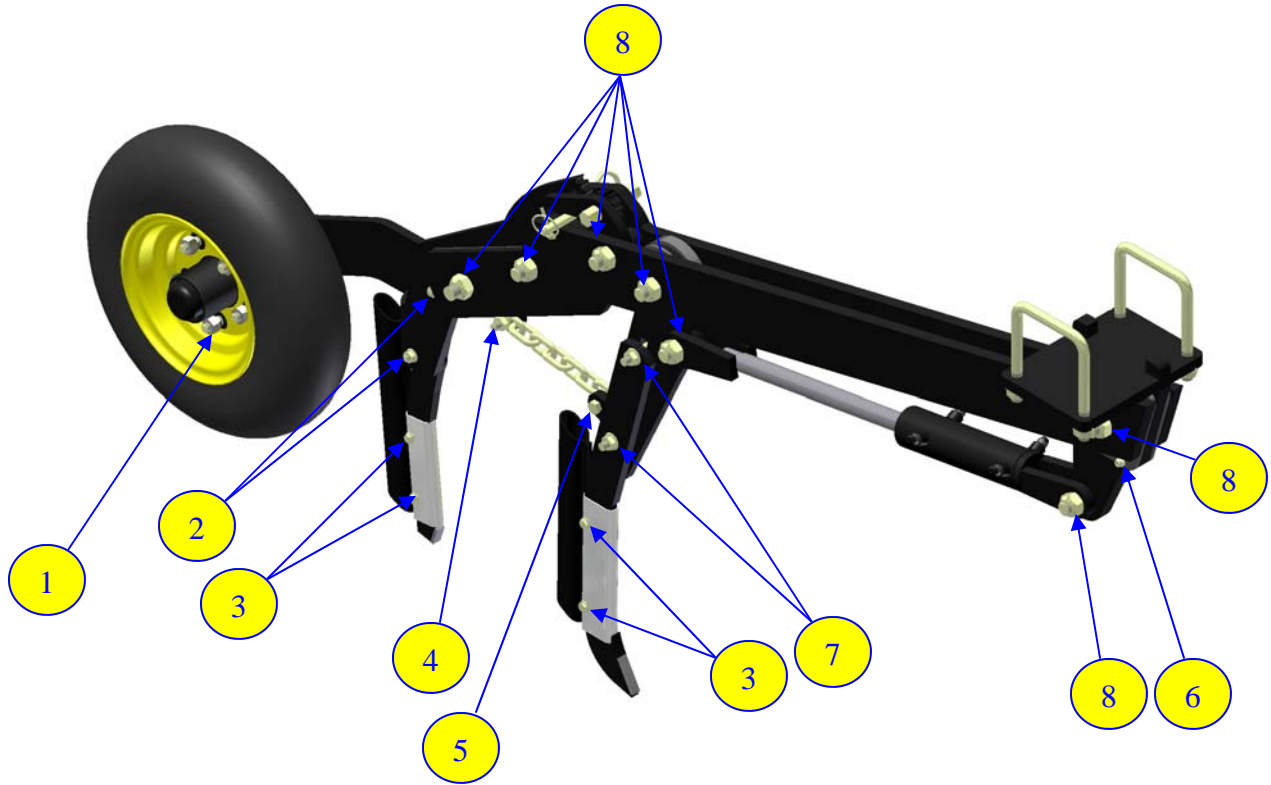
Item #	Qty	Part #	Description	Width	Length	Notes
1	1	310030	Fertilizer knife/with carbide			
2	2	310200	1/4 x 1 N" C Gr5. YZ (carriage head)	1/4 inch	1 inch	
3	1	312938	NH3/liquid stainless clip			Used for liquid or NH3
4	1	310013	Granular stainless clip			
5	2	310201	1/4 NC Gr5 YZ (hex serrated flange nut)	1/4 inch		
6	1					Priced per inch
7	1	310014	Single extrusion drop tube (used with 1" seed hose)			Priced per inch
8	1	312937	Double extrusion drop tube (used with 1" seed hose)			Priced per inch
9	1					

SH 1220-12 QUICK PIN OPENER(FASTENERS ON LEFT SIDE)



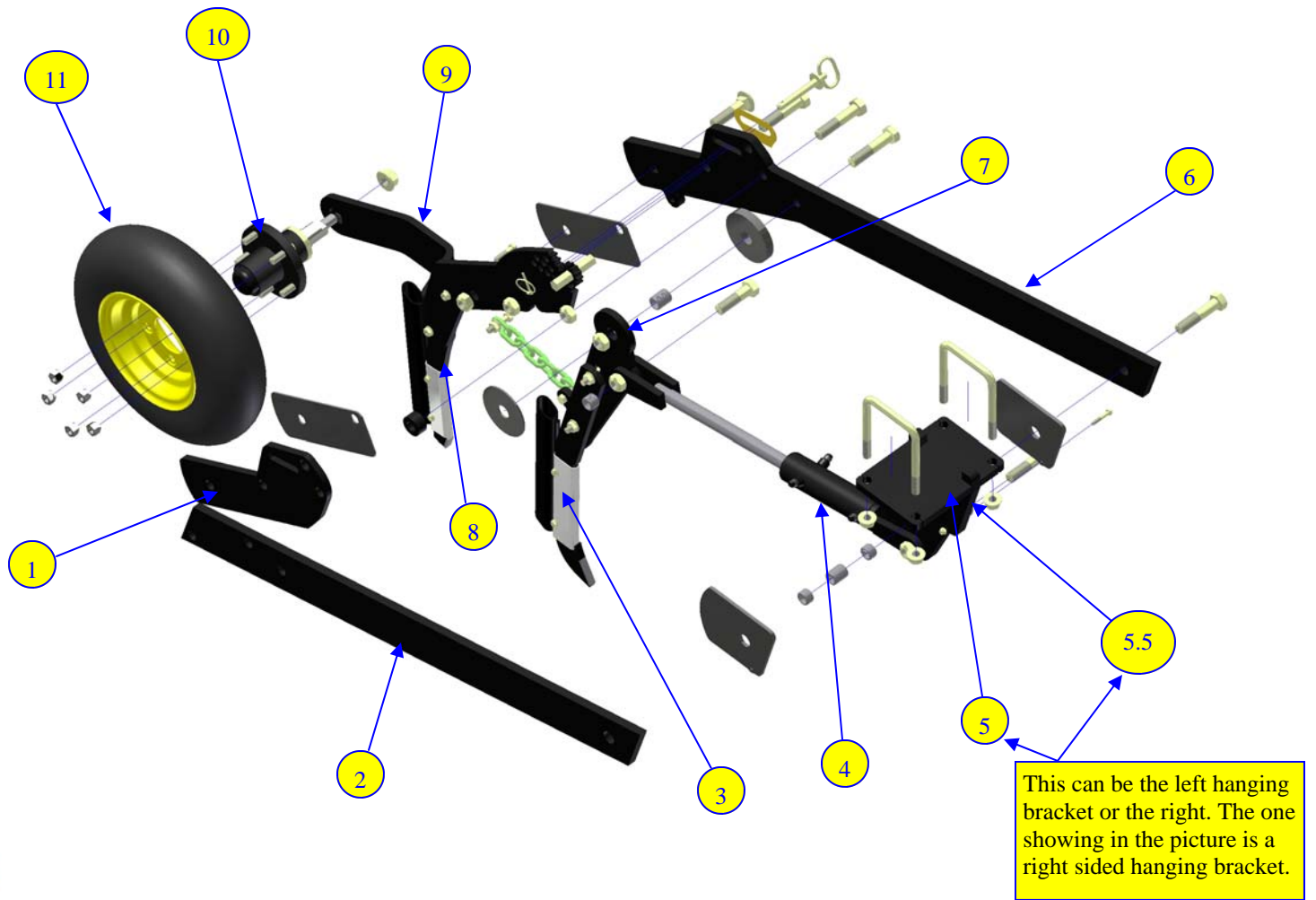
Item #	Qty	Part #	Description	Width	Length	Notes
1	4	311055	5/8 NC Gr5 YZ (Hex serrated Flange Nut)	5/8 inch		
2	1	310209	1/4 x 1-3/4 NC Gr5 YZ HH	1/4 inch	1-3/4 inch	
3	4	310204	3/4 x 3-1/2 NC Gr5 YZ HH	3/4 inch	3-1/2 inch	
4	2	310218	3/4 x 2-3/4 NC Gr5 YZ HH	3/4 inch	2-3/4 inch	
5	2	310207	7/16 x 1-3/4 NC Gr8 YZ (Carriage Head 0.884" of thread)	7/16 inch	1-3/4 inch	
6	1	310207	7/16 x 1-3/4 NC Gr8 YZ (Carriage Head 0.884" of thread)	7/16 inch	1-3/4 inch	
7	1	310208	7/16 x 1-1/2 NC Gr8 YZ (Carriage Head)	7/16 inch	1-1/2 inch	
8	1	310217	3/4x3 NC Gr5 YZ (Carriage Head)	3/4 inch	3 inch	
9	2	310202	3/8 x 1-1/2 NC Gr8 YZ HH (1/2" of Thread)	3/8 inch	1-1/2 inch	
10	1	310216	3/4 NC Gr5 YZ (Hex serrated Flange Nut)	3/4 inch		
11	1	310057	Seed hawk decal - opener			
12	2	311091	5/8 x 4 x 5-1/2 NC Gr5 YZ (Square U-bolt)	5/8 inch	5-1/2 inch	
13	4	310200	1/4 x 1 NC Gr5 YZ (Carriage Head)	1/4 inch	1 inch	

SH 1220-12 QUICK PIN OPENER(RIGHT SIDE FASTENERS)



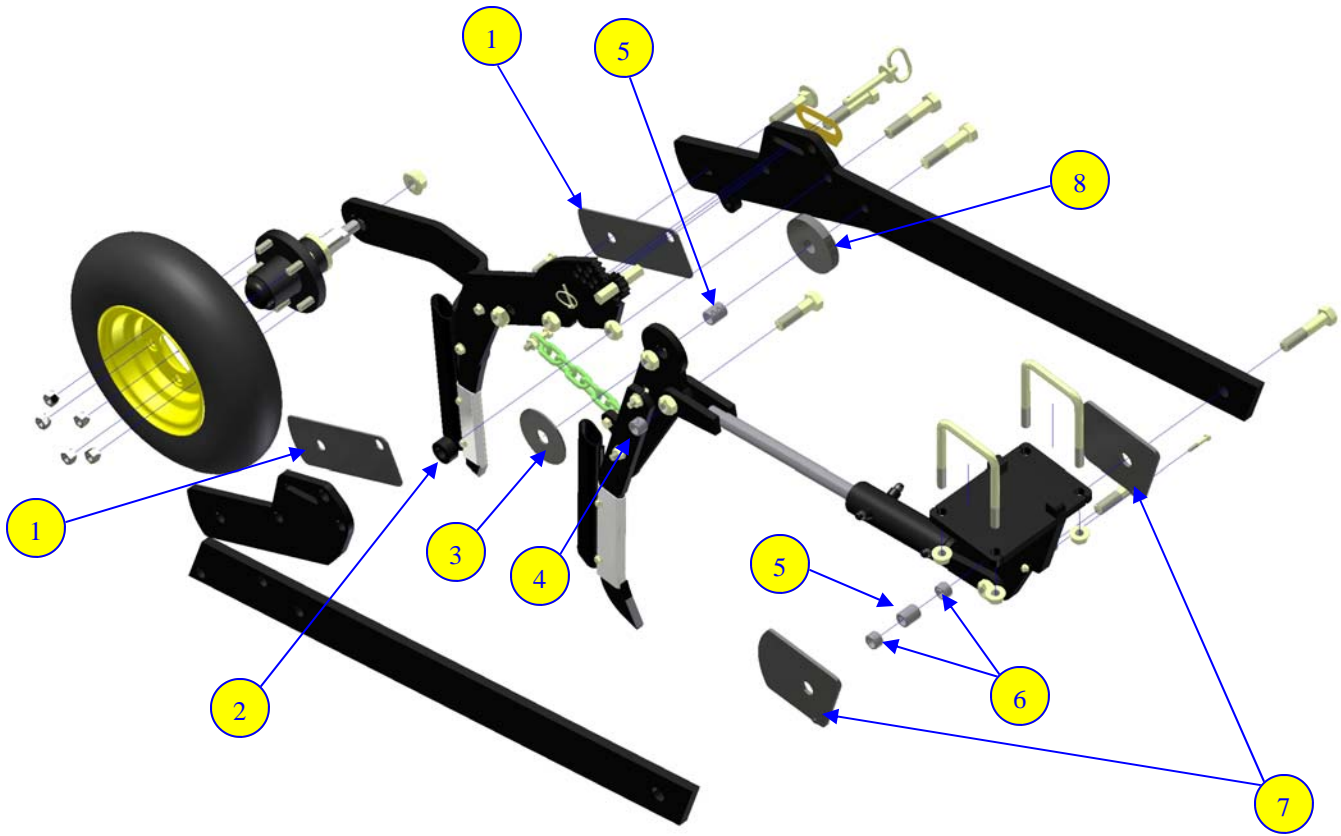
Item #	Qty	Part #	Description	Width	Length	Notes
1	5	310212	1/2 NF Gr. 5 (Stud Nut)	1/2 inch		
2	2	310202	3/8 NC Gr5 YZ (hex serrated flange nut)	3/8 inch		
3	4	310201	1/4 NC Gr5 YZ (Hex serrated Flange Nut)	1/4 inch		
4	1	310206	7/16 NC Gr5 YZ (Hex serrated Flange Nut)	7/16 inch		
5	1	310206	7/16 NC Gr5 YZ (Hex serrated Flange Nut)	7/16 inch		
6	1	310210	1/4" NC Gr.2 YZ (Hex NylocK)	1/4 inch		
7	2	310206	7/16 NC Gr5 YZ (Hex serrated Flange Nut)	7/16 inch		
8	7	310205	3/4 NC Gr5 YZ (Hex Stover Nut)	3/4 inch		

SH 1220-12 QUICK PIN OPENER (TORCH PARTS & COMPONENTS) EXPLODED VIEW



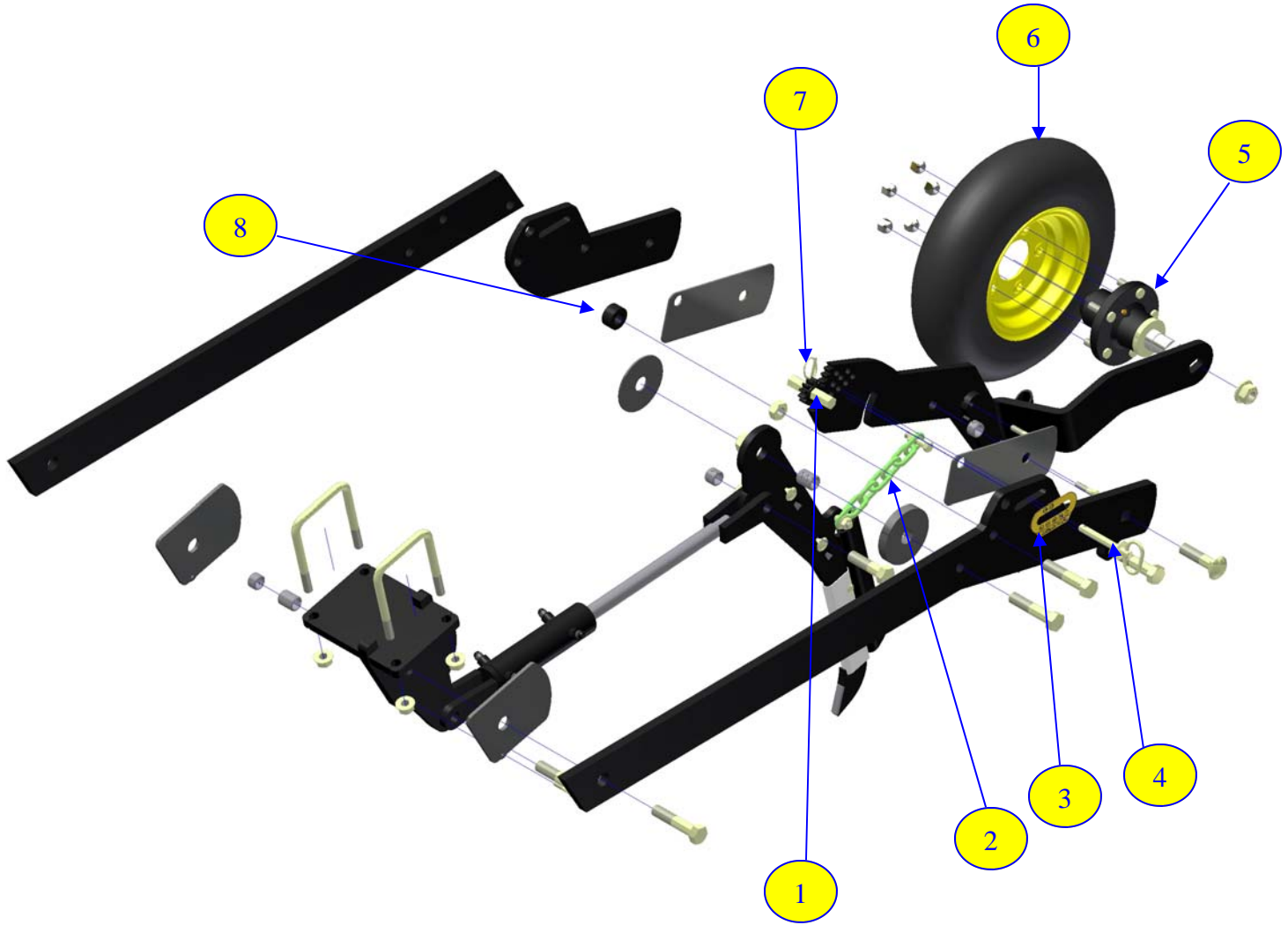
Item #	Qty	Part #	Description	Notes
1	1	310006	Quick pin stiffener	
2	1	310004	Quick pin main beam	
3	1	310011	Complete dry fertilizer knife	Drop tube, carbide, stainless, fasteners
4	1	310044	1-3/4 inch x 4 inch Opener cylinder	Pin Center to Center stroke 30-7/8 inch
5	1	312279	Hanging bracket right side	Looking from behind, fasteners to right of main opener
5.5	1	312280	Hanging bracket Left side	Looking from behind, fasteners to left of main opener
6	1	310005	Quick pin main beam left hand side	
7	1	310008	Trip plate	
8	1	310058	Seed knife complete	Drop tube, carbide, stainless, fasteners, protector
9	1	310003	Quick pin packer arm	
10	1	310031	2007 packer hub & spindle assembly complete	
11	1	310042	Complete packer tire	(rim, tire, tube)

SH 1220-12 QUICKPIN OPERNER (BUSHINGS & WEAR PLATES)



Item #	Qty	Part #	Description	Width	Length	Notes
1	2	310022	Pivot point plastic UHMW	1/8 inch		
2	1	310045	Opener spacer	1.5 inch	.75 inch	1.5''OD x .765 ID seamless
3	1	310021	Rear wear plate plastic UHMW	1/8 inch		
4	2	310221	Trip plate connex bushing	1 inch	3/4 inch	(1 x 3/4 x 3/4)
5	2	310220	Hanging bracket connex bushing	1 inch	1.21 inch	(1 x 3/4 x 1.21)
6	2	310222	Quick pin main beam connex bushings	1 inch	5/8 inch	(1 x 3/4 x 5/8)
7	2	310026	Front hanging bracket Plastic UHMW	1/4 inch		
8	1	310020	Rear wear plate plastic UHMW	5/8 inch		

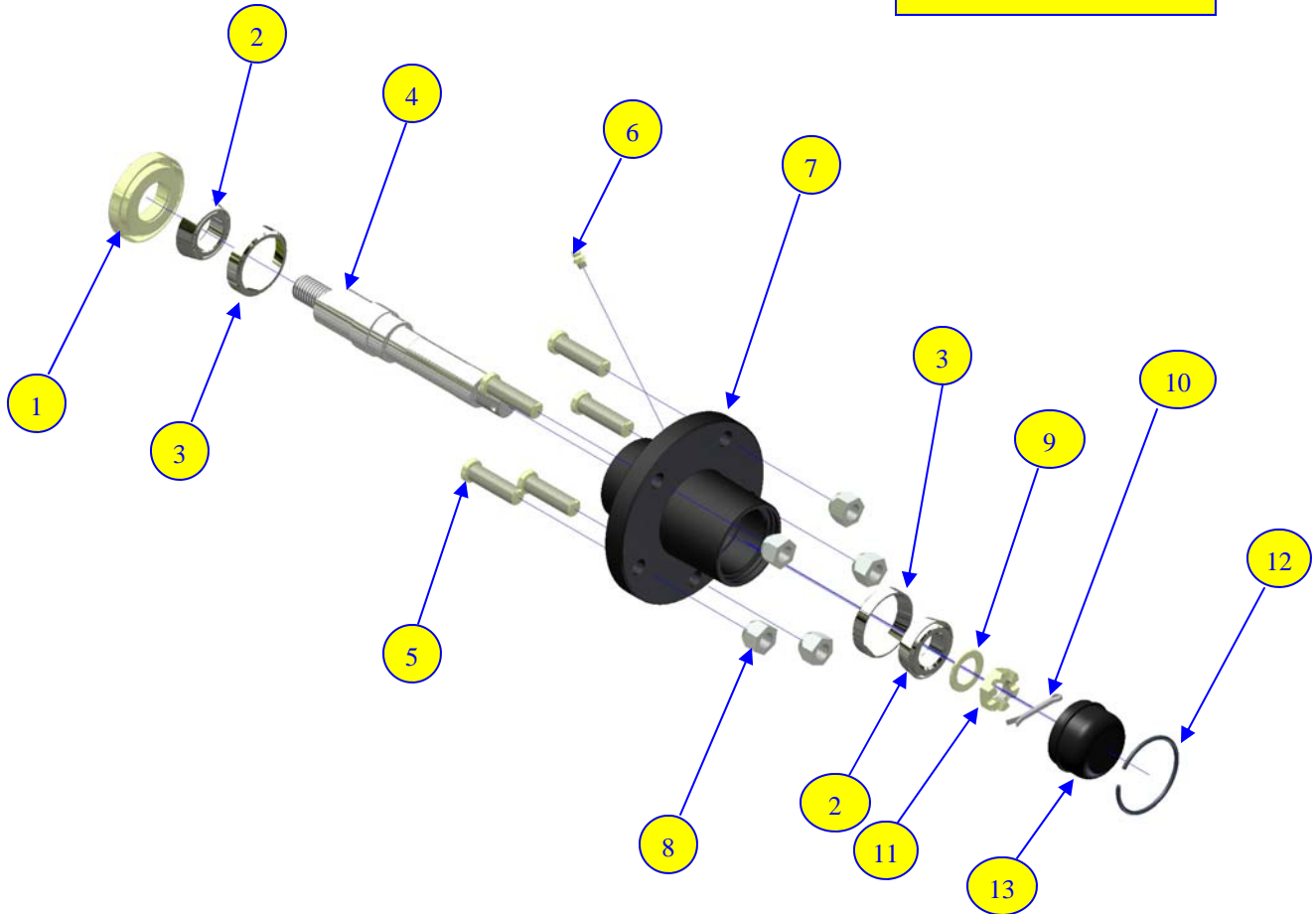
SH 1220-12
QUICK PIN OPENER EXPLODED (MISCELLANEOUS)



Item #	Qty	Part #	Description	Width	Length	Notes
1	1	310007	Quick pin dept adjustment gear with hex shaft			
2	1	310025	5/16'' Gr. 70 chain- 7 link			
3	1	310056	Quick pin decal- Metric made in Canada			
4	1	310009	1/3 x 3'' pin for quick pin opener	1/2 inch	3 inch	
5	1	310031	2007 packer hub & spindle assembly			
6	1	310042	Complete packer tire(rim, tube, tire)			
7	1	310010	3/16'' x 1'' lynch pin—YZ	3/16 inch	1 inch	
8	1	310045	Opener spacer	1.5 inch	3/4 inch	(1.5 OD x .765 ID seamless)

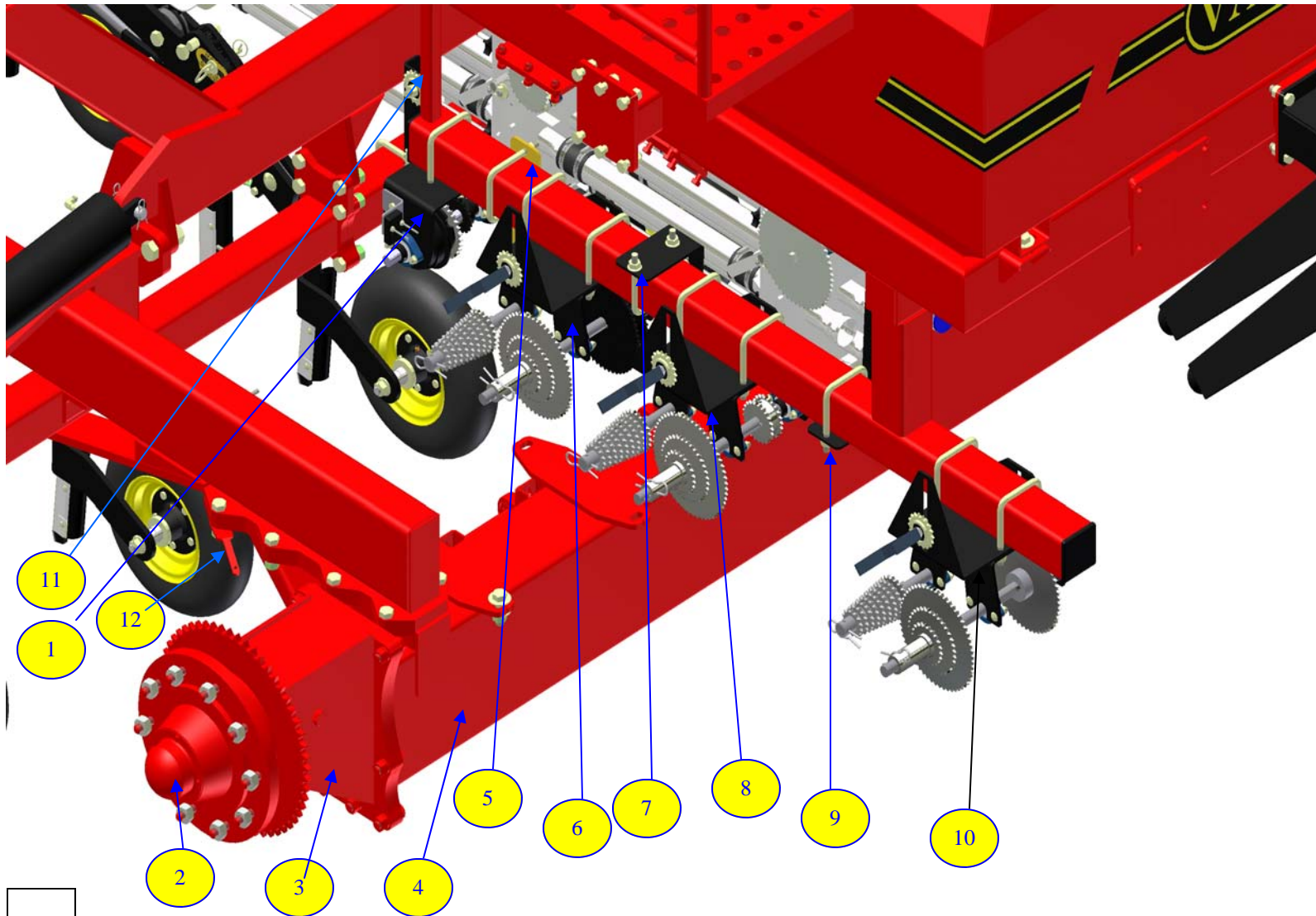
SH 1220-12 PACKER HUB (EXPLODED)

Part # 14 is complete hub



Item #	Qty	Part #	Description	Width	Length	Notes
1	1	310037	2007 packer wheel hub 3 piece seal			
2	2	310035	2007 packer wheel hub bearing			
3	2	310036	2007 packer wheel hub cup			
4	1	310033	2007 packer wheel hub spindle-black oxide			
5	5	310032	Studs come with hub			
6	1	310014	1/4 inch grease nipple			
7	1	310032	2007 packer wheel hub/ with studs			
8	5	312929	Packer hub wheel nut	1/2 inch		1/2'' NF cone nut
9	1	310039	Packer hub washer			
10	1	312931	3/16 x 1-1/2 cotter pin	3/16 inch	1-1/2 inch	
11	1	310213	Packer spindle castle nut			
12	1		2007 packer hub cap spring			
13	1	310034	2007 packer hub dust cap			
14	1	310031	Complete opener hub			

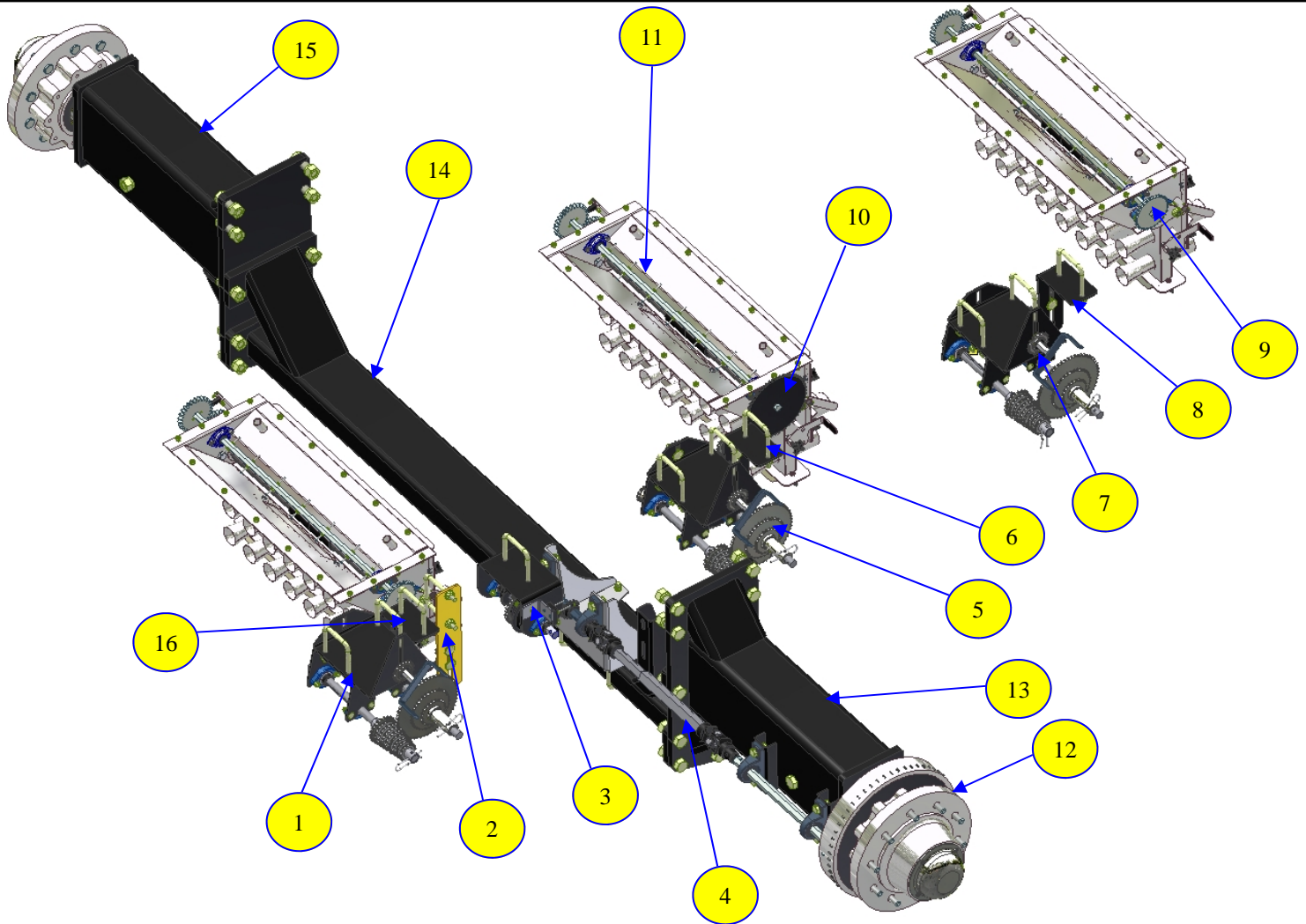
SH 1220-12 GEARBOX,REAR AXLE



NO.	Part #	Description	Sub section
1		clutch assembly	Gear box
2		Rear axle hub & spindle	Hubs
3		Rear axle spindle assembly	Rear axle
4		Common section rear axle	Rear axle
5		Ground drive tightener	Gear box
6		small tank gearbox (on-board) (Front gear box)	Gear box
7		Front gear box tightener	Gear box
8		medium tank gearbox (on-board) (Middle tank gear box)	Gear box
9		Middle tank tightener	Gear box
10		large tank gearbox (on-board) (Back gear box)	Gear box
11		Clutch tightener	Gear box
12		Transport clip for ground drive	Rear axle

SH-21

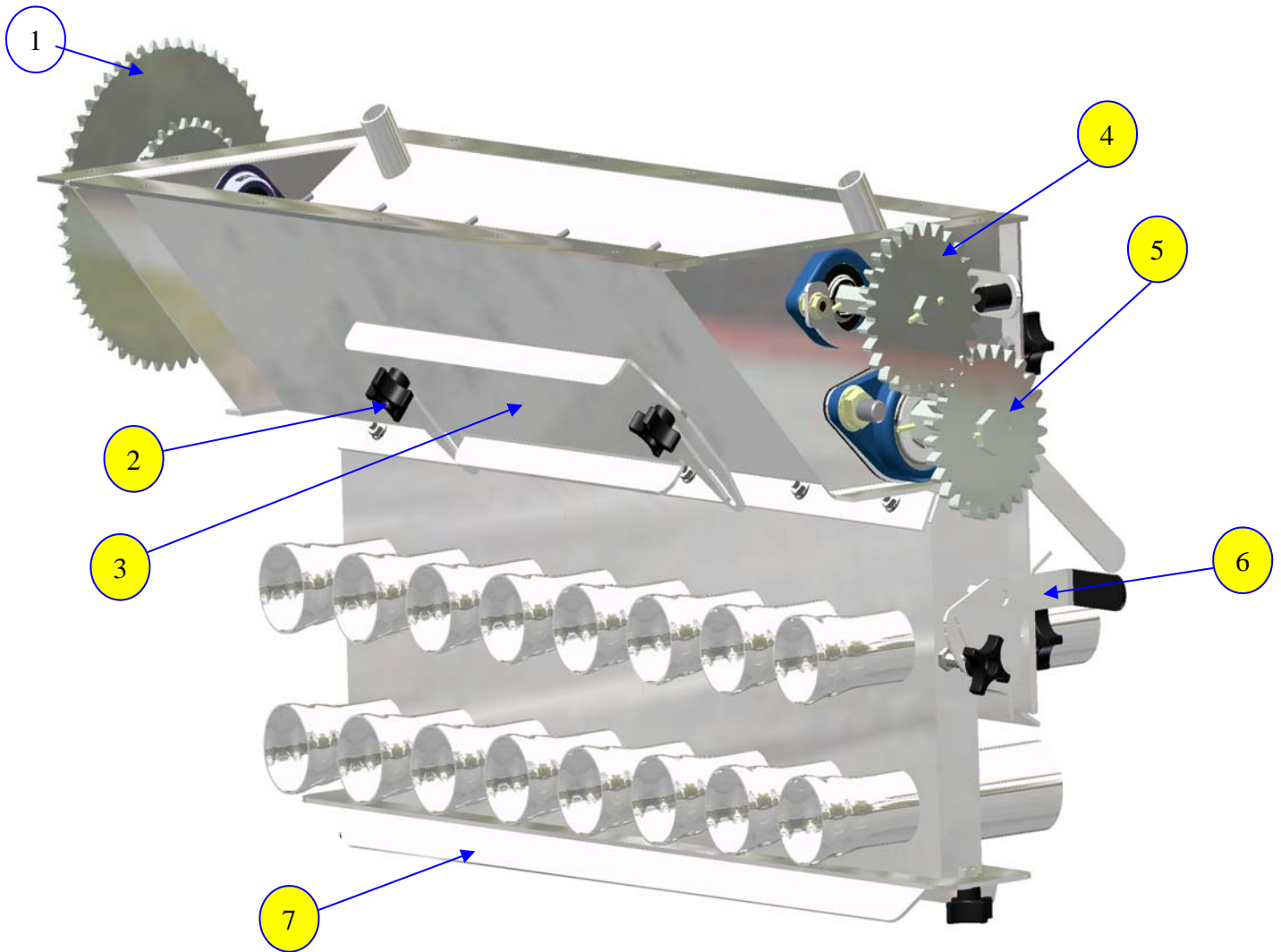
BOTTOM METERS, GEAR BOXES/WITH OUT TANK



Item #	Qty	Part #	Description	Dimensions	Notes
1	1	313621	600 Tank 1 Gear box complete (back tank)(2007)		Complete gear box.
2	1	311944	clutch chain tightener assy		Just tightener.
3	1	311931	full clutch assembly (on-board)		Complete clutch.
4	1	313303	48" Driveline assembly		Complete driveline.
5	1	313622	600 Tank 2 Gear box complete (middle tank)(2007)		Complete gear box.
6	1	311949	gearbox chain tightener 2 assy		Just tightener.
7	1	313623	600 Tank 3 Gear box complete (front tank)(2007)		Complete gear box.
8	1	311947	gearbox chain tightener assy		Just tightener.
9	2	312955	3/4 hex bore hub 40 P-30 tooth sprocket		Sprocket
10	1	312954	DS40A54/30 3/4 hex D/S5430		Sprocket
11	1	311885	Complete Meter		Meter
12	2	311622	25000 LB 10 13.188 BC duct hub		Complete hub.
13	1	311557	600 axle right 28L		Comes with tank.
14	1	31155	600 axle mid		Comes with tank.
15	1	311562	600 axle left		Comes with tank.
16	1	311947	gearbox chain tightener assy		Just tightener.

SH 1220-12 MISC PARTS FOR METER

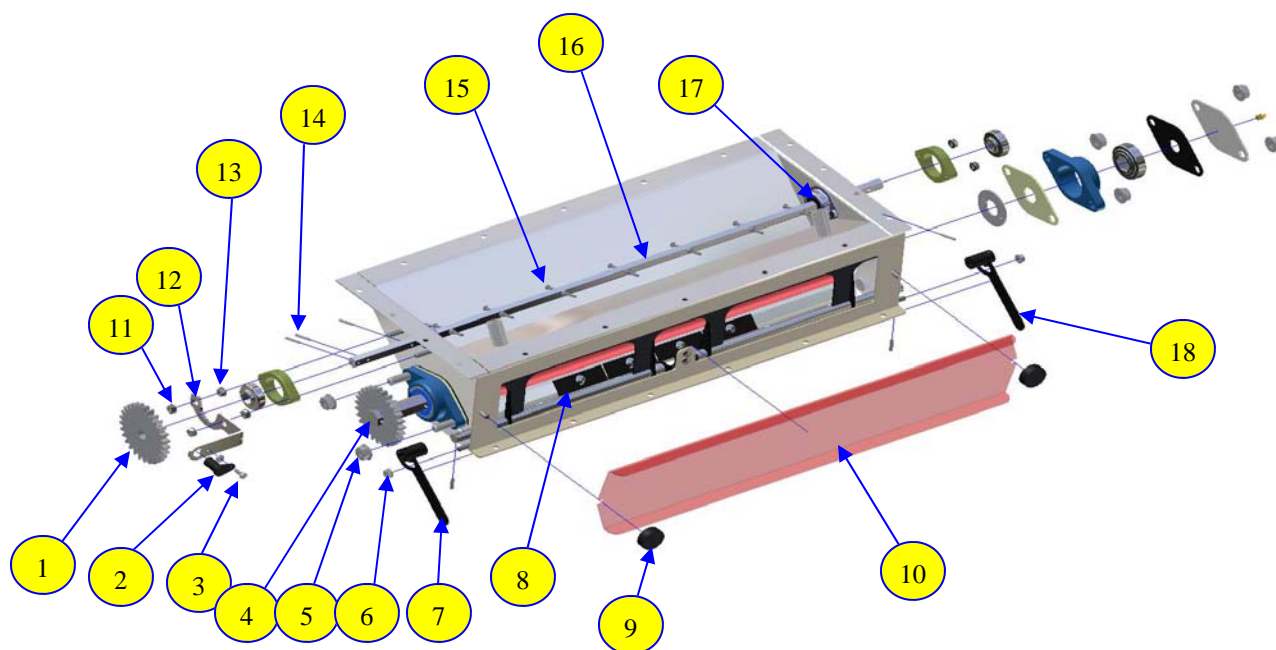
Item # 8 is complete meter as shown/ without sprocket



Item #	Qty	Part #	Description	Dimensions	Notes
1	1	312954	DS40A54/30 3/4" hex x D/S 5430	3/4"	
2	8	311788	3/8" Hand cross wheels - brass ins.	3/8"	
3	1	311809	clean out panel		
4	1	311832	meter agitator shaft spur gear	3/4"	
5	1	311841	meter roller spur gear 1-1/8	1 1/8"	
6	1	311818	tank shutoff handle		
7	1	311789	bottom plenum cover		
8	1	311885	Complete meter		Everything shown/ without sprocket

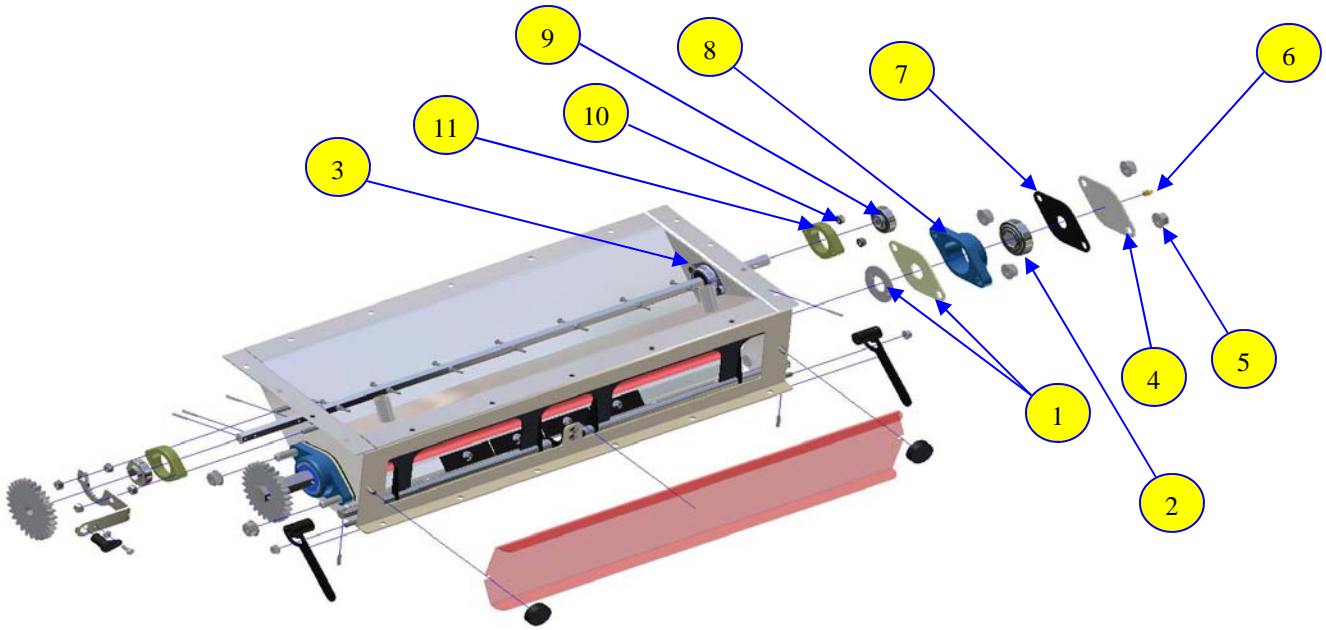
SH 1220-12

TOP METER EXPLODED(LEFT HAND SIDE)



Item #	Qty	Part #	Description	Dimensions	Notes
1	1	311832	meter adgitator shaft spur gear		
2	1	313439	Loup hall sensors(shaft)480-2021-ND		
3	1	310228	1/4 x 1 NC Gr5 HH YZ		
4	1	313610 or 313611	Complete 6 run bean roller(2007) Complete 6 run red chemical roller(2007)		Two different type of rollers.
5	6	311055	5/8 NC Gr5 YZ (Hex serrated Flange Nut)		
6	2	311040	3/8 NC Stainless (Hex serrated Flange Nut)		
7	1	311821	left shut off handle assy		
8	4	311825	roller blockoff plate		
9	2	311788	3/8 hand cross wheels brass ins.		
10	1	311837	clean out door		
11	4	311040	3/8 NC Stainless (Hex serrated Flange Nut)		
12	1	311840	gear tooth sensor mount		
13	2	311040	3/8 NC Stainless (Hex serrated Flange Nut)		
14	4	311158	3/16 x 1 1/2 roll pin Gr2 YZ		
15	7	311143	#10 x 3 round head machine screw NC Gr2 CZ		
16	1	311826	agitator hex shaft		
17	2	311833 and 311834	2-bolt flangette (agitator seal)06 18MM double lip seal(agitator shaft		
18	1	311817	right shut off handle assy		

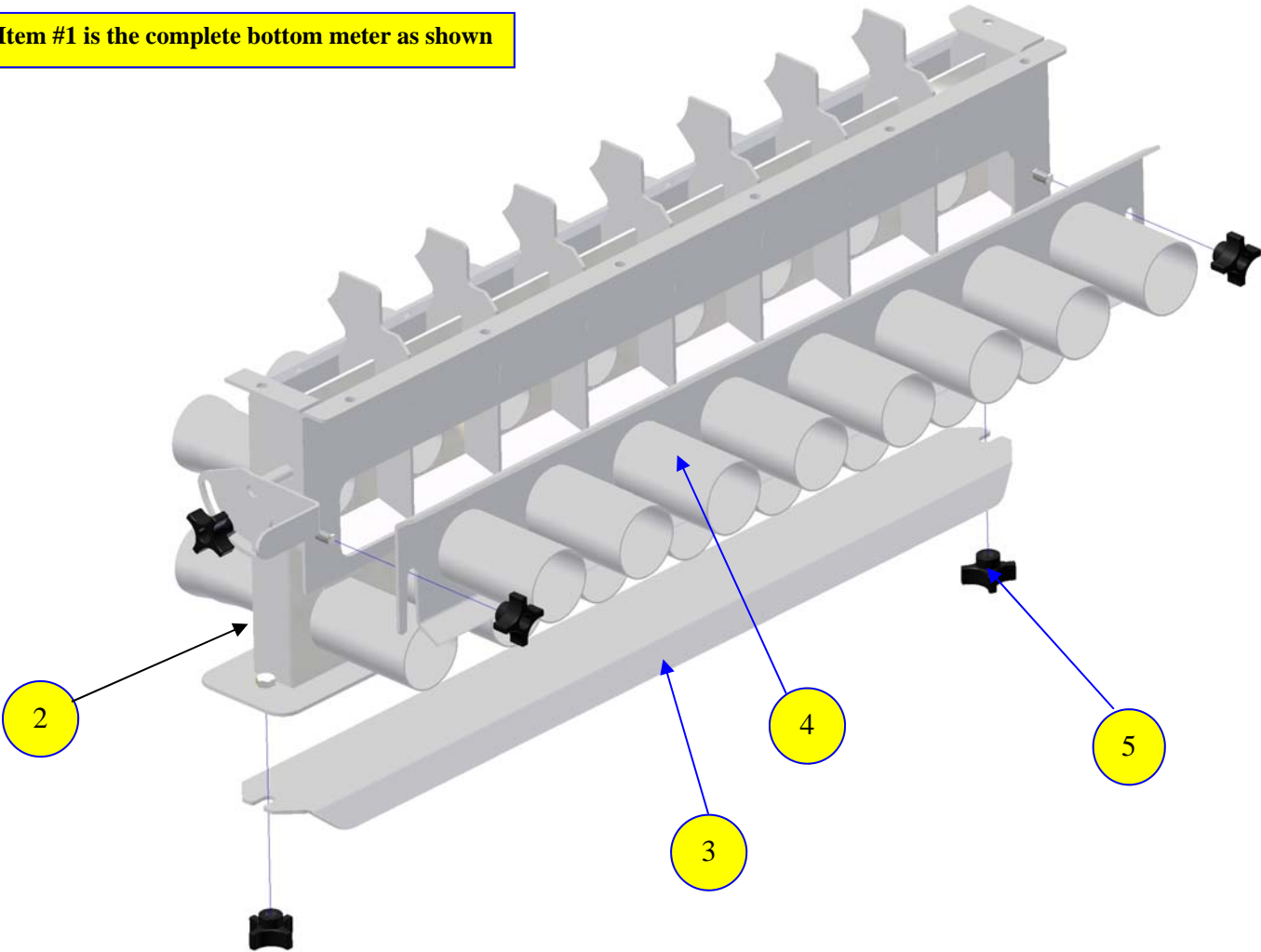
SH 21 TOP METER EXPLODED (Right Hand side)



Item #	Qty	Part #	Description	Dimensions	Notes
1	1	311845	Bearing sealer plate assembly		
2	1	311830	207KRRB12 1-1/8" hex bore bearing		
3	1	311833	2-bolt flangette (agitator seal)06		Also # 311834 seal
4	1	311827	Large pillow block sealer plate		
5	4	311055	5/8 NC Gr5 YZ (Hex serrated Flange Nut)		
6	1	312311	1/4" NF Grease fitting - straight		
7	1	313297	Roller shaft seal		
8	1	311824	FL207 Pillow block - 1-1/8"		
9	1	311828	3/4" hex bearing		
10	2	311040	3/8 NC Stainless (Hex serrated Flange Nut)		
11	1	311831	FD205 Pillow block		

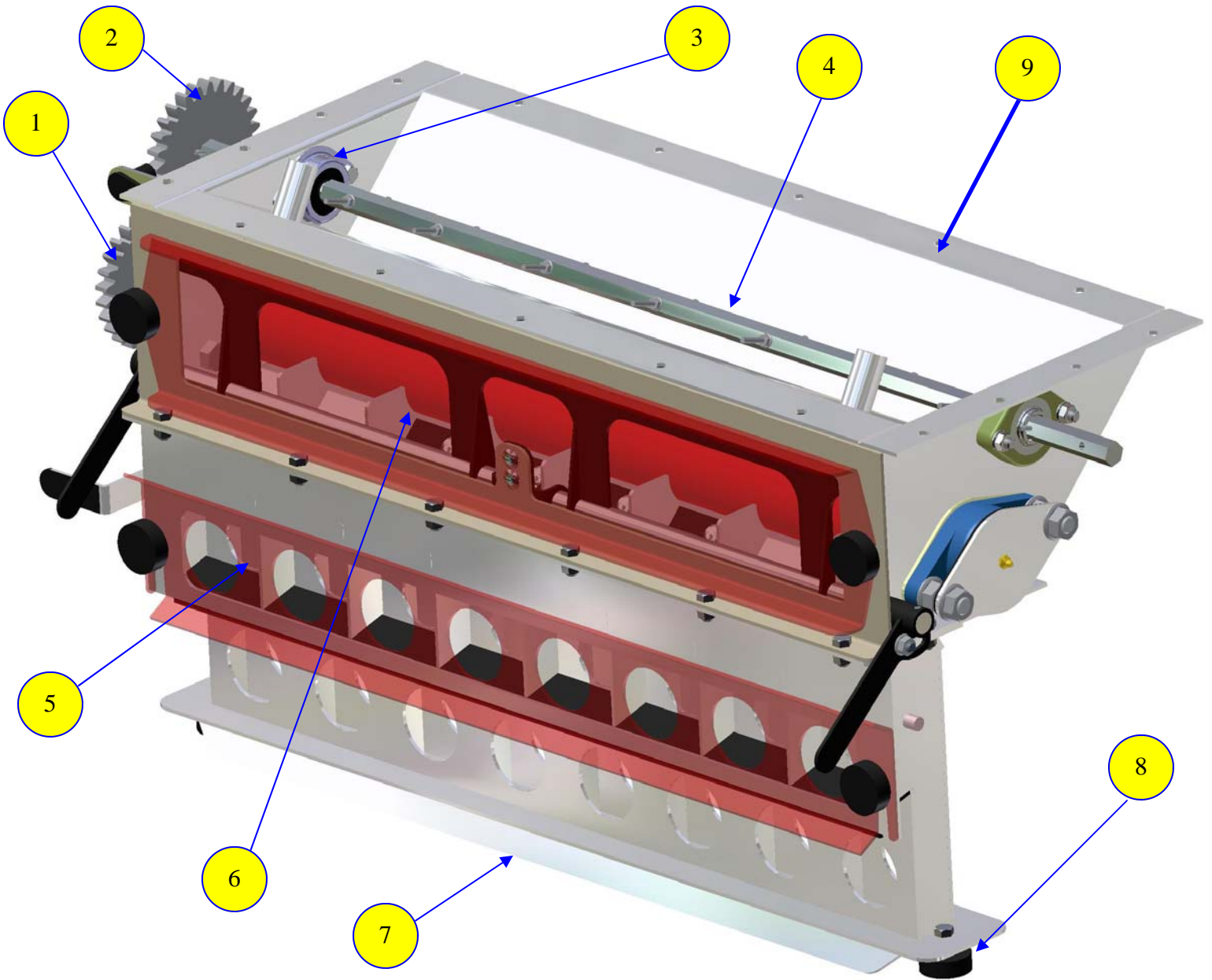
SH 1220-12 COMPLETE BOTTOM METER

Item #1 is the complete bottom meter as shown



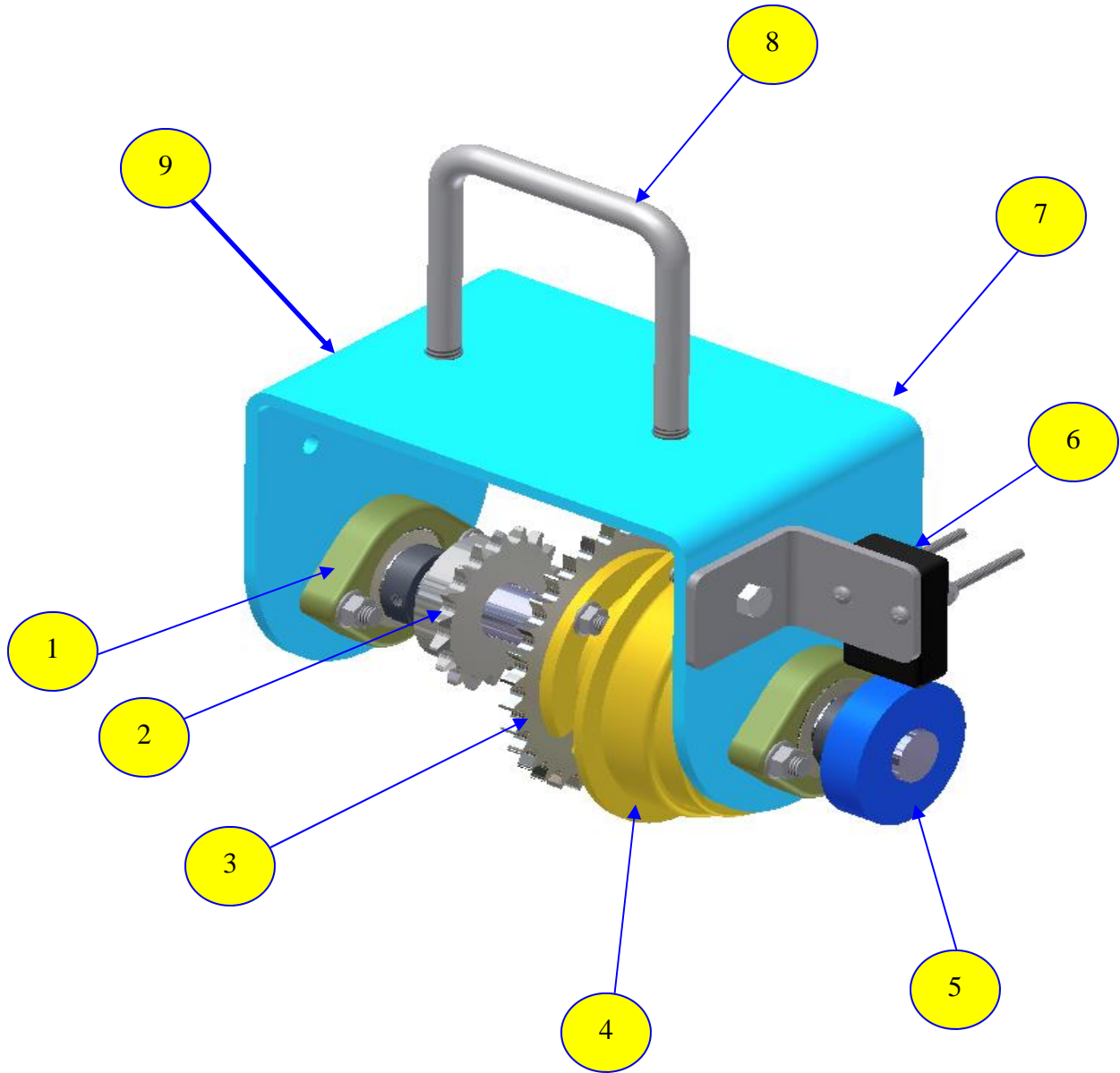
Item #	Qty	Part #	Description	Dimensions	Notes
1	1	311886	Complete bottom meter		Everything shown in picture
2	1	311686	Stainless bottom meter		Welded main piece/without separate parts
3	1	311789	bottom plenum cover		There is lid sealant foam on the cover. 310656
4	1	311791	front plenum cover		There is lid sealant foam on the cover. 310656
5	6	311788	3/8 hand cross wheels brass ins.		

SH 1220-12 COMPLETE METER



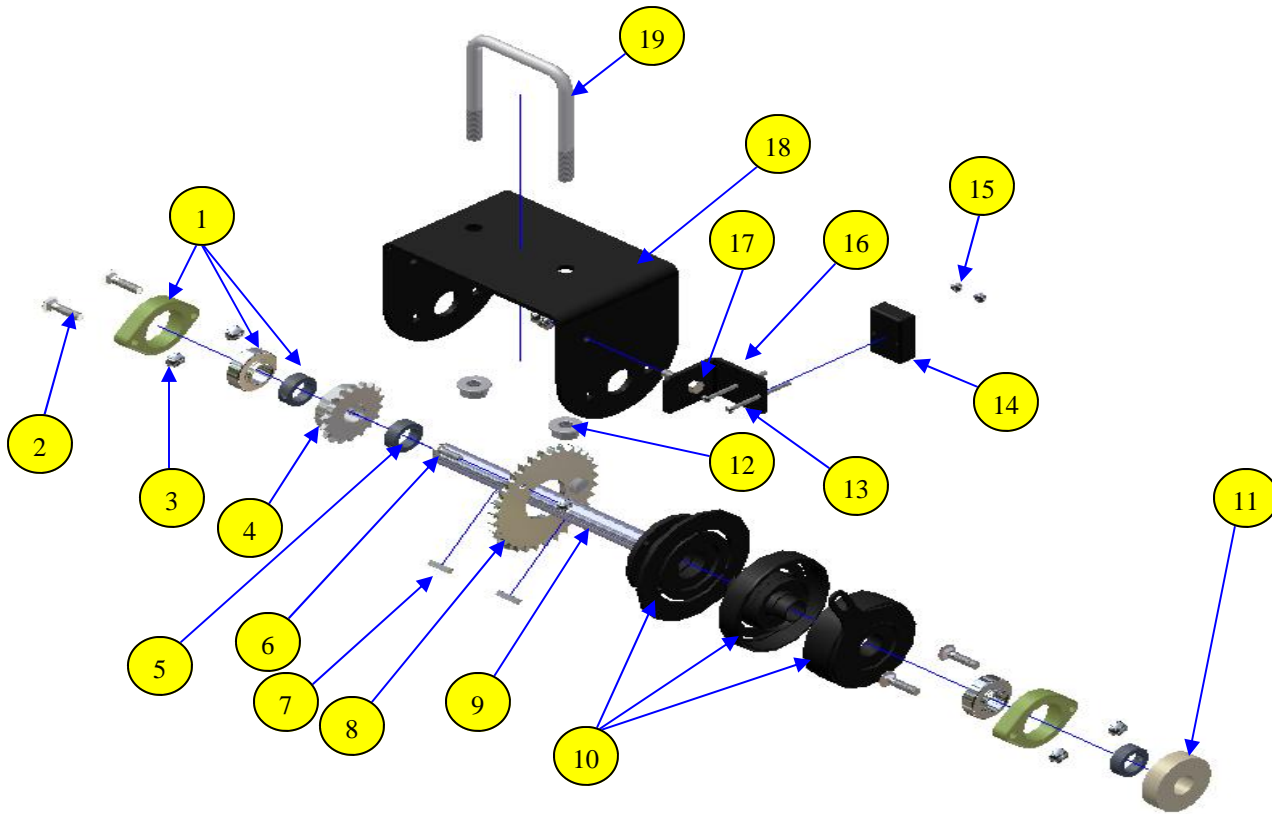
Item #	Qty	Part #	Description	Dimensions	Notes
1	1	311841	meter roller spur gear 1-1/8		
2	1	311832	meter adgitator shaft spur gear		
3	2	311833	2-bolt flangette (agitator seal)06		Also # 311834 seal
4	1	311826	agitator hex shaft		
5	1	311837	clean out door		
6	1	311791	front plentum cover		
7	1	311789	bottom plentum cover		
8	6	311788	3/8" Hand cross wheels - brass ins.		
9	1	311885	Complete meter		Everything in picture

SH 1220-12 COMPLETE CLUTCH



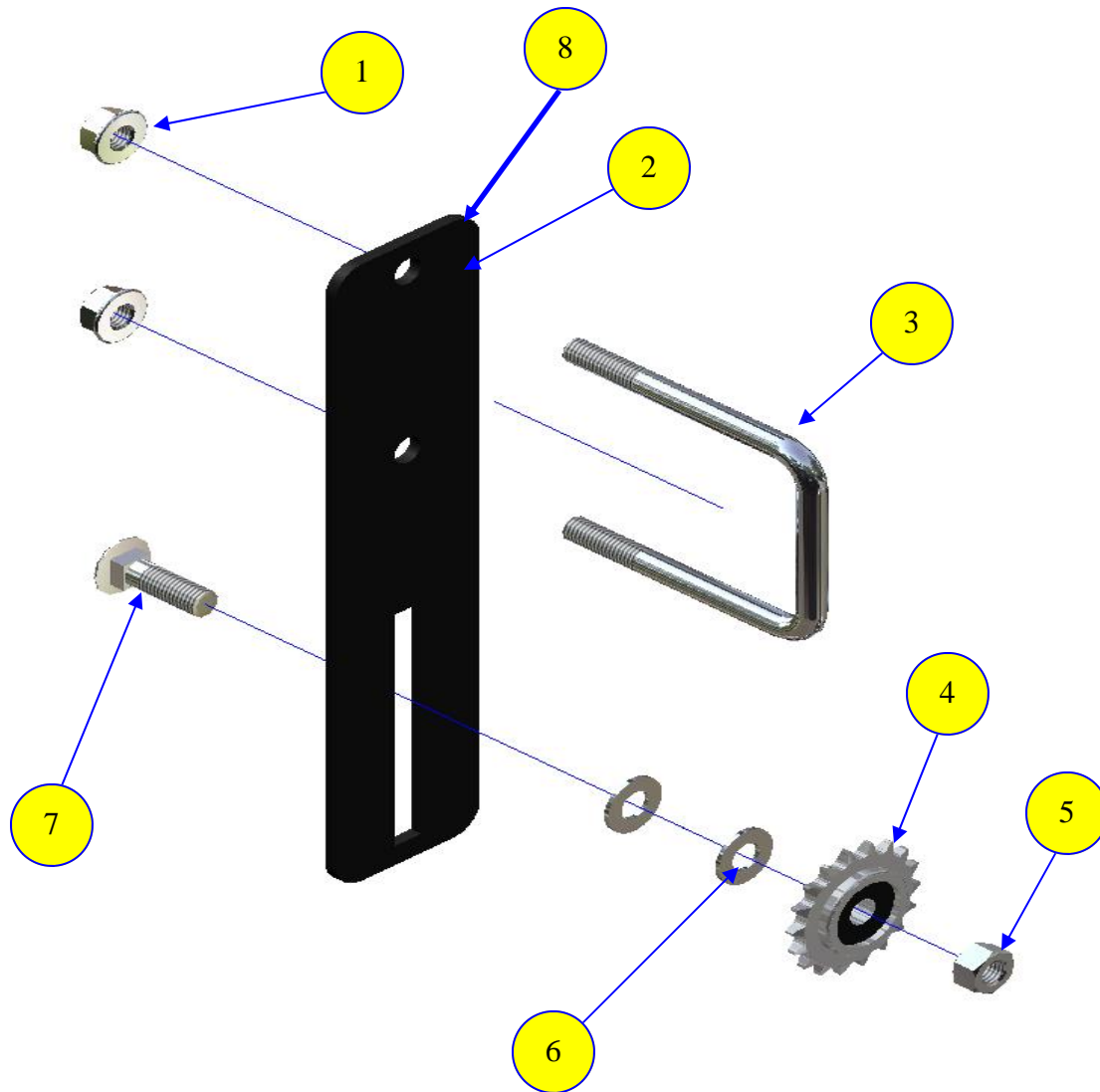
Item #	Qty	Part #	Description	Dimensions	Notes
1	2	313203	SAFD205-16G bearing & pillow block for 1" shaft		
2	1	311938	18 tooth (40 pitch, 1" hub)		
3	1	311937	40B32 sprocket (2" bore)		
4	1	311936	clutch		
5	1	313441	Loup 1" Actuator MDL 540003		
6	1	313442	Loup smart shaft sensor 540000		
7	1	311932	clutch mount		
8	1	311091	5/8 x 4 x 5-1/2 NC Gr5 YZ (Square U-bolt)	5/8" x 4" 5 1/2"	
9	1	311931	Complete clutch assembly		Everything seen in picture

SH 1220-12 CLUTCH EXPLODED



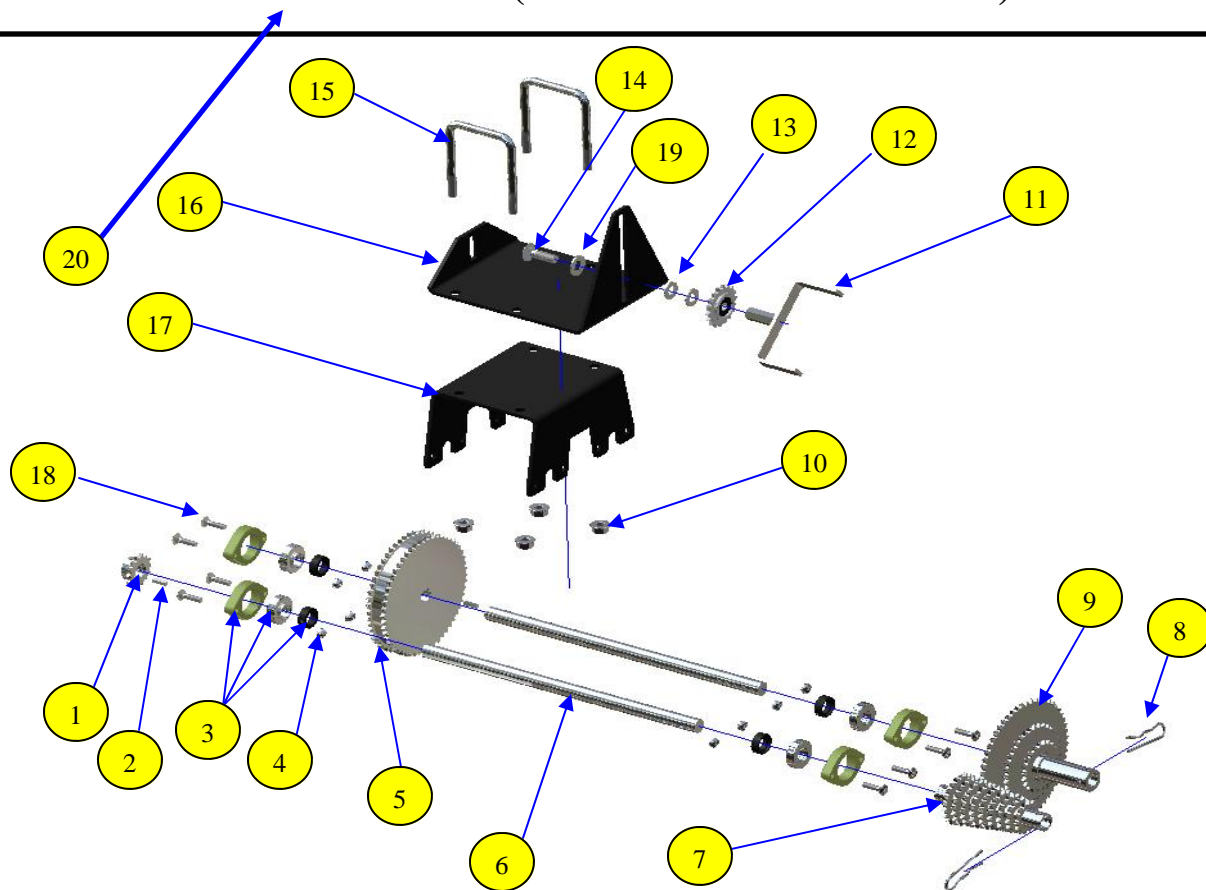
Item #	Qty	Part #	Description	Dimensions	Notes
1	2	313203	SAFD205-16G bearing & pillow block for 1" shaft		
2	4	310257	3/8 x 1-1/2 NC Gr5 HH YZ	3/8" x 1 1/2"	
3	4	310203	3/8 NC Gr5 YZ (Hex serrated Flange Nut)	3/8"	
4	1	311938	18 tooth (40 pitch, 1" hub)		
5	1	311902	1in. bearing collar	1"	
6	2	310244	5/16 x 1 NC Gr8 HH YZ	5/16" x 1"	
7	2	311904	0.25" key		
8	1	311937	40B32 sprocket (2" bore)		
9	1	311934	1" Keyway round clutch shaft PSQ stainless(2005-up)		
10	1	311936	clutch assembly		
11	1	313441	Loup 1" Actuator MDL 540003		
12	2	311055	5/8 NC Gr5 YZ (Hex serrated Flange Nut)	5/8"	
13	2	311142	#10 x 2-1/2 round head machine screw NC Gr2 CZ	#10 x 2 1/2"	
14	1	313442	Loup smart shaft sensor 540000		
15	2	311033	3/16 NC Gr2 YZ (Hex serrated Flange Nut)	3/16"	
16	1	311933	speed sensor mount		
17	1	310257	3/8 x 1-1/2 NC Gr5 HH YZ	3/8" x 1 1/2"	
18	1	311932	clutch mount		
19	1	311091	5/8 x 4 x 5-1/2 NC Gr5 YZ (Square U-bolt)	5/8"x 4"x 5 1/2"	

SH 1220-12 CLUTCH CHAIN GEARBOX TIGHTENER



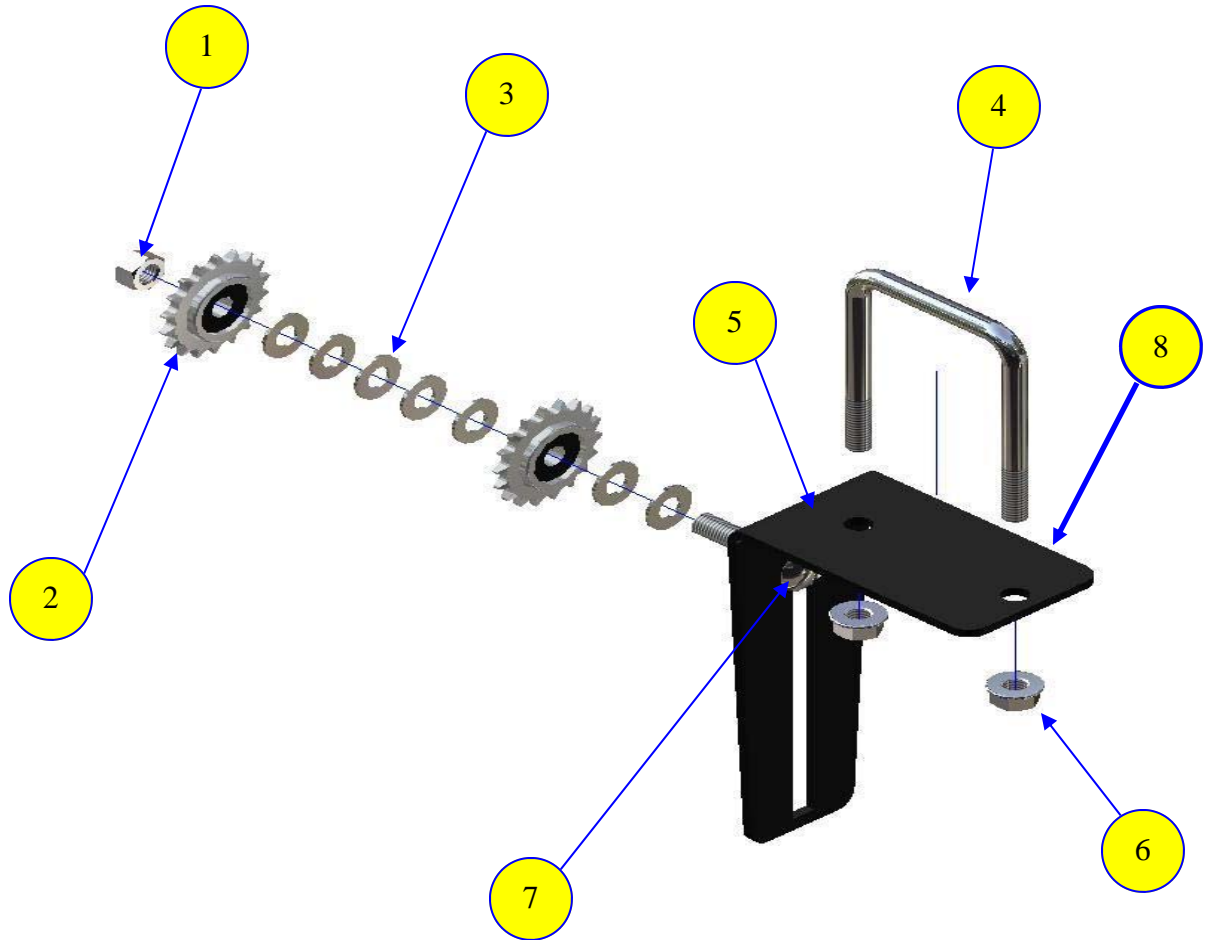
Item #	Qty	Part #	Description	Dimensions	Notes
1	2	311055	5/8 NC Gr5 YZ (Hex serrated Flange Nut)	5/8"	
2	1	311945	clutch chain tightener		
3	1	311091	5/8 x 4 x 5-1/2 NC Gr5 YZ (Square U-bolt)	5/8" x 4 x 5 1/2"	
4	1	312820	40 pitch chain idler - 5/8" bore 17 tooth for gear box (2000-up)	5/8" bore	
5	1	311062	5/8 NC Gr5 YZ (Hex Nut)	5/8"	
6	2	311114	5/8 SAE flat washer Gr2 YZ	5/8"	
7	1	310324	5/8 x 2-1/2 NC Gr5 YZ (Carriage Head)		
8	1	311944	Complete clutch assembly		Everything in picture

SH 1220-12 GEAR BOX (PLUS OR SMALL TANK)



Item #	Qty	Part #	Description	Dimensions	Notes
1	1	311907	14 tooth (40 pitch, 1" hub)		
2	2	311904	0.25" key	1/4"	
3	4	313203	SAFD205-16G bearing & pillow block for 1" shaft		
4	8	310203	3/8 NC Gr5 YZ (Hex serrated Flange Nut)	3/8"	
5	1	311930	Double 54T40 machined sprocket		
6	2	311897	1" Keyway shaft 20.75" long for gear box(2000-2007)		
7	1	311898	9 gear cluster, welded & plated		
8	2	311905	Double loop hitch pin for gear boxes(2000-up)		
9	1	311899	3 gear cluster, welded & plated		
10	4	311055	5/8 NC Gr5 YZ (Hex serrated Flange Nut)	5/8"	
11	1	311900	T- handle for gear boxes with 5/8 hex shaft threaded(2000-up)		
12	1	312820	40 pitch chain idler - 5/8" bore 17 tooth for gear box (2000-up)		
13	3	311114	5/8 SAE flat washer Gr2 YZ	5/8"	
14	1	310324	5/8 x 2-1/2 NC Gr5 YZ (Carriage Head)	5/8" x 2 1/2"	
15	2	311091	5/8 x 4 x 5-1/2 NC Gr5 YZ (Square U-bolt)	5/8" x 4" x 5 1/2"	
16	1	311896	Gear box Part B (idler holder)(2000-2006 old style)		
17	1	311895	Gear box part A (shaft holder)(2000-2006 old style)		
18	8	310259	3/8 x 1-1/2 NC Gr5 YZ (Carriage Head)	3/8" x 1 1/2"	
19	1	311116	5/8 square ID flat washer x 1.5 OD x .105 thick Gr2 YZ	5/8"	
20	1	311929	Complete plus or small tank gearbox		Shown in picture

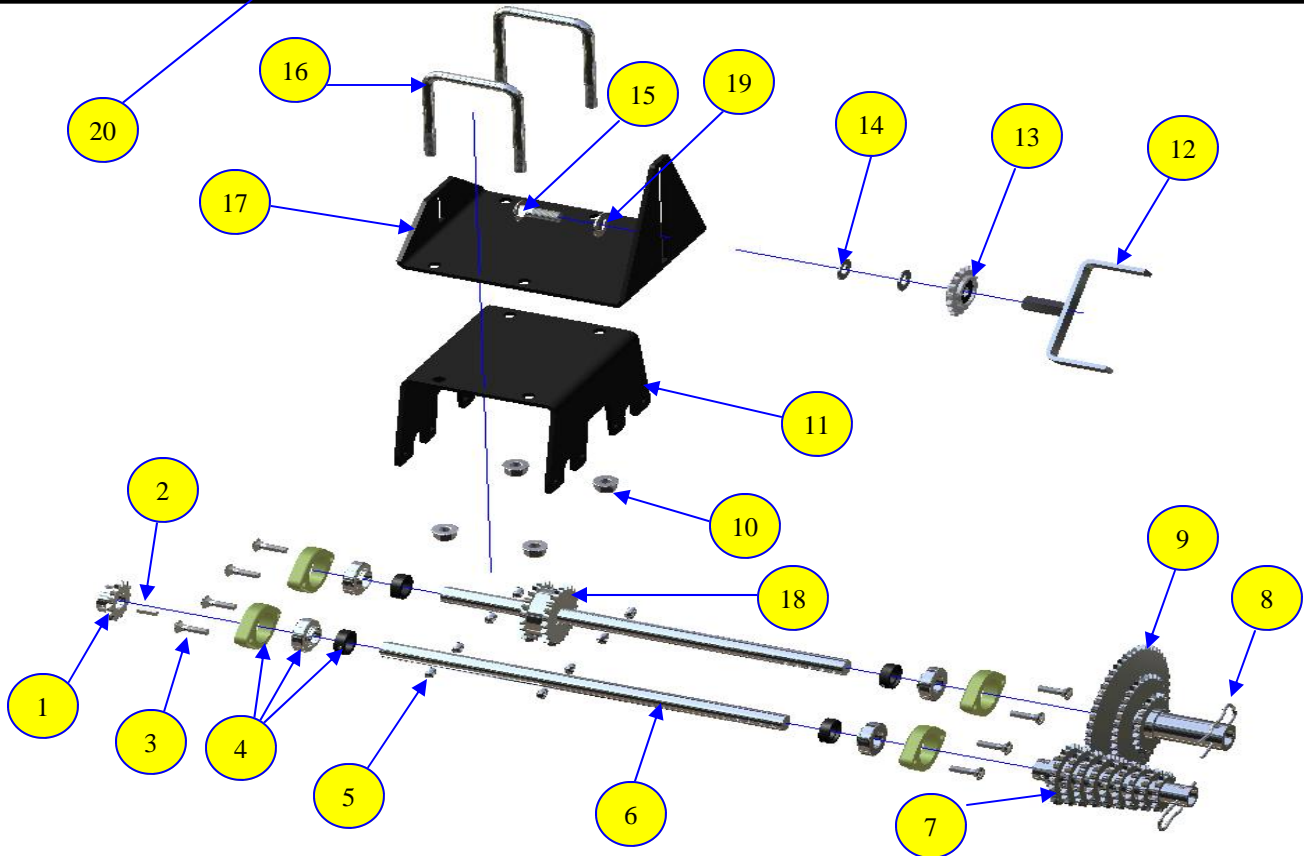
SH 1220-12 GEAR BOX TIGHTENER



Item #	Qty	Part #	Description	Dimensions	Notes
1	1	310226	3/4 NC Gr5 YZ (Hex Nut)		
2	2	312820	40 pitch chain idler - 5/8" bore 17 tooth for gear box (2000-up)		
3	7	311114	5/8 SAE flat washer Gr2 YZ		
4	1	311091	5/8 x 4 x 5-1/2 NC Gr5 YZ (Square U-bolt)		
5	1	311948	gearbox chain tightener		
6	2	311055	5/8 NC Gr5 YZ (Hex serrated Flange Nut)		
7	1	310327	5/8 x 3 NC Gr5 YZ (Carriage Head)		
8	1	311949	Complete chain tightener (double idler)		Has two idlers

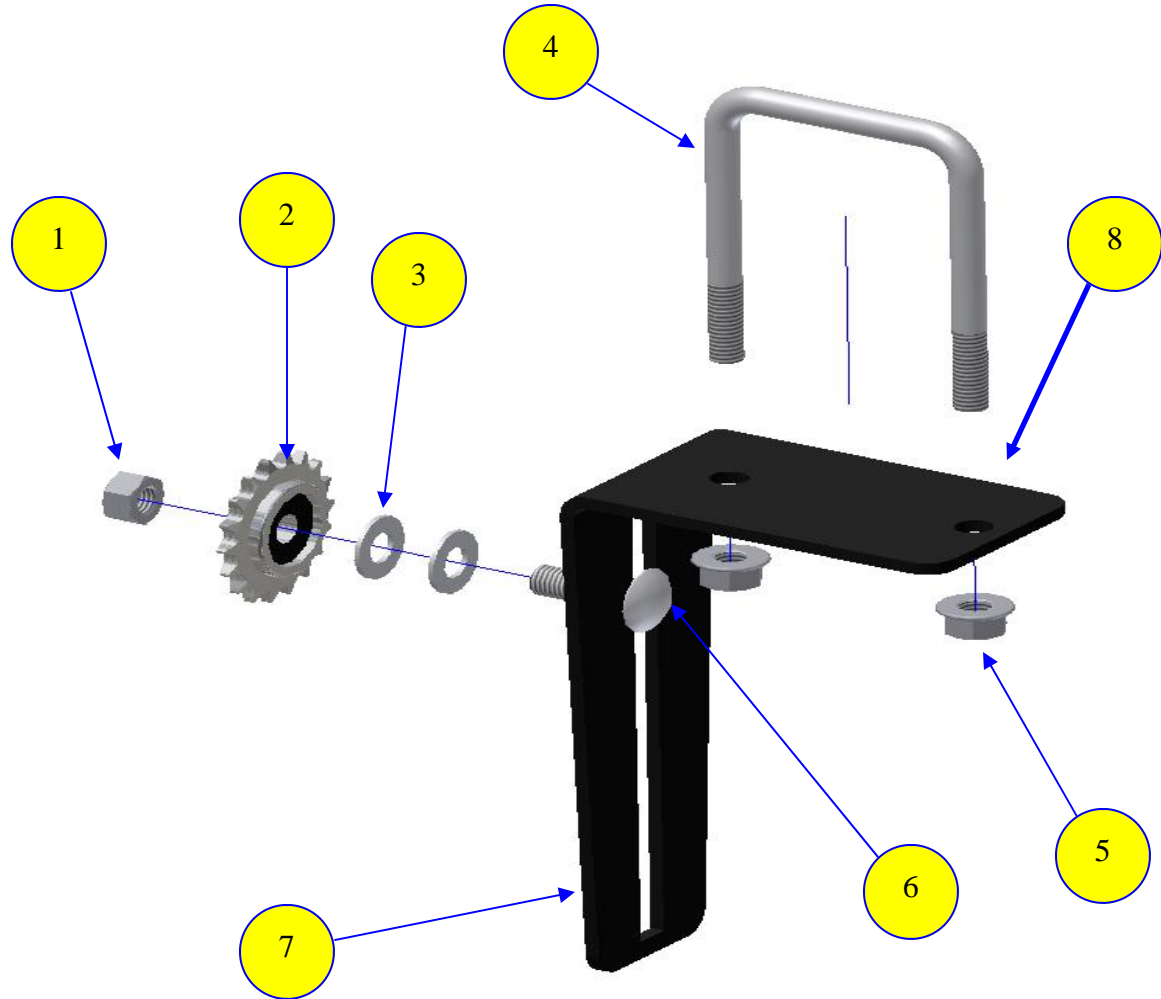
SH 1220-12

LARGE TANK GEAR BOX EXPLODED



Item #	Qty	Part #	Description	Dimensions	Notes
1	1	311907	14 tooth (40 pitch, 1" hub)	1"	
2	2	311904	0.25" key	1/4"	
3	8	310259	3/8 x 1-1/2 NC Gr5 YZ (Carriage Head)	3/8" x 1 1/2"	
4	4	313203	SAFD205-16G bearing & pillow block for 1" shaft		
5	8	310203	3/8 NC Gr5 YZ (Hex serrated Flange Nut)	3/8"	
6	2	311897	1" Keyway shaft 20.75" long for gear box(2000-2007)		
7	1	311898	9 gear cluster, welded & plated		
8	2	311905	Double loop hitch pin for gear boxes(2000-up)		
9	1	311899	3 gear cluster, welded & plated		
10	4	311055	5/8 NC Gr5 YZ (Hex serrated Flange Nut)	5/8"	
11	1	311895	Gear box part A (shaft holder)(2000-2006 old style)		
12	1	311900	T- handle for gear boxes with 5/8 hex shaft threaded(2000-up)		
13	1	312820	40 pitch chain idler - 5/8" bore 17 tooth for gear box (2000-up)		
14	3	311114	5/8 SAE flat washer Gr2 YZ	5/8"	
15	1	310324	5/8 x 2-1/2 NC Gr5 YZ (Carriage Head)	5/8" x 2 1/2"	
16	2	311091	5/8 x 4 x 5-1/2 NC Gr5 YZ (Square U-bolt)	5/8" x 4" x 5 1/2"	
17	1	311896	Gear box Part B (idler holder)(2000-2006 old style)		
18	1	311906	double 24T 40 pitch machined sprocket		
19	1	311116	5/8 square ID flat washer x 1.5 OD x .105 thick Gr2 YZ	5/8"	
20	1	311894	Large tank gearbox	Everything shown	In picture

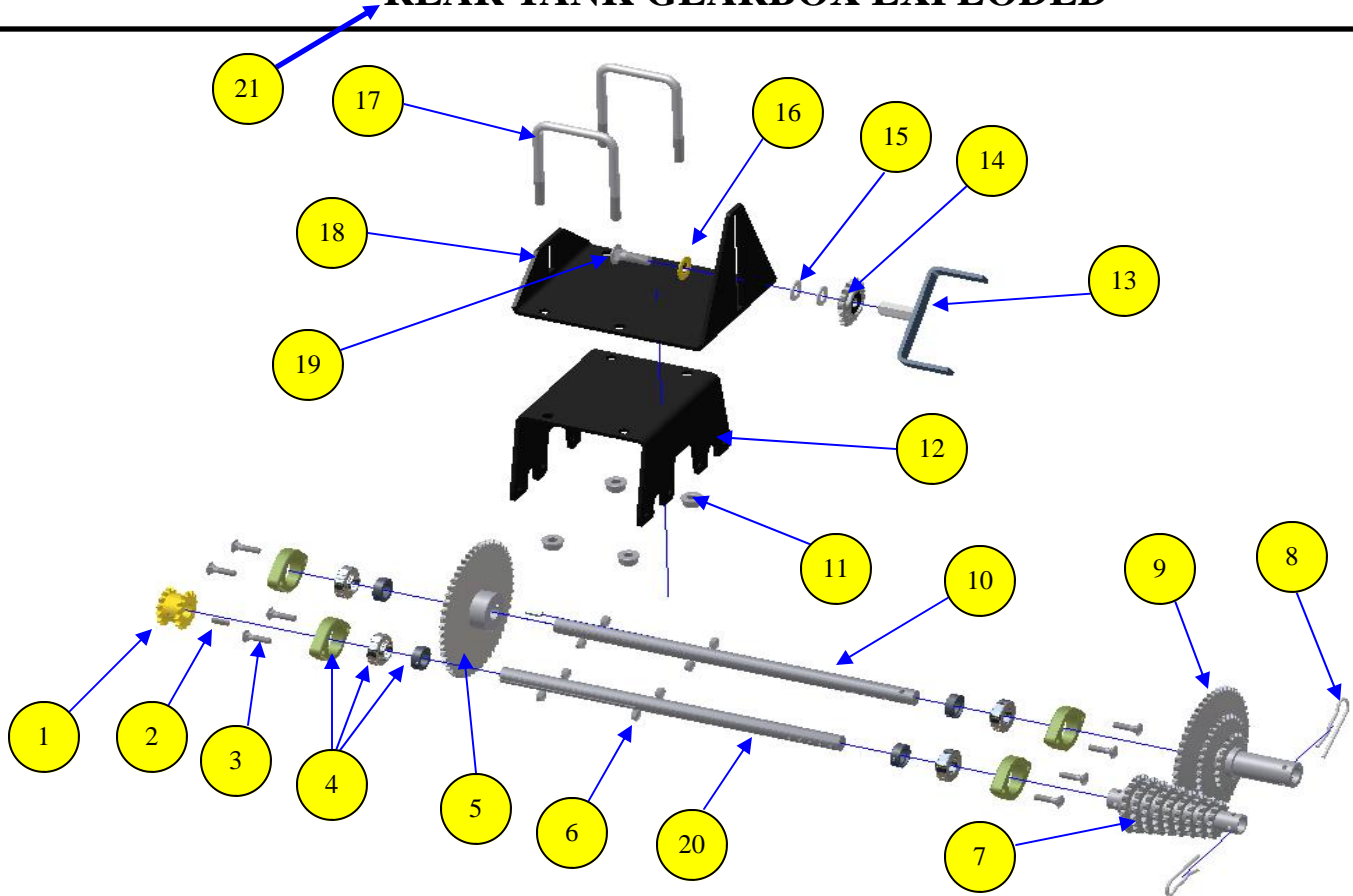
SH 1220-12 LARGE GEAR BOX TIGHTENER



Item #	Qty	Part #	Description	Dimensions	Notes
1	1	311062	5/8 NC Gr5 YZ (Hex Nut)	5/8"	
2	1	312820	40 pitch chain idler - 5/8" bore 17 tooth for gear box (2000-up)		
3	2	311114	5/8 SAE flat washer Gr2 YZ	5/8"	
4	1	311091	5/8 x 4 x 5-1/2 NC Gr5 YZ (Square U-bolt)	5/8" x 4" x 5 1/2"	
5	2	311055	5/8 NC Gr5 YZ (Hex serrated Flange Nut)	5/8"	
6	1	310324	5/8 x 2-1/2 NC Gr5 YZ (Carriage Head)	5/8" x 2 1/2"	
7	1	311948	gearbox chain tightener		
8	1	311947	Complete gear box tightener		One idler

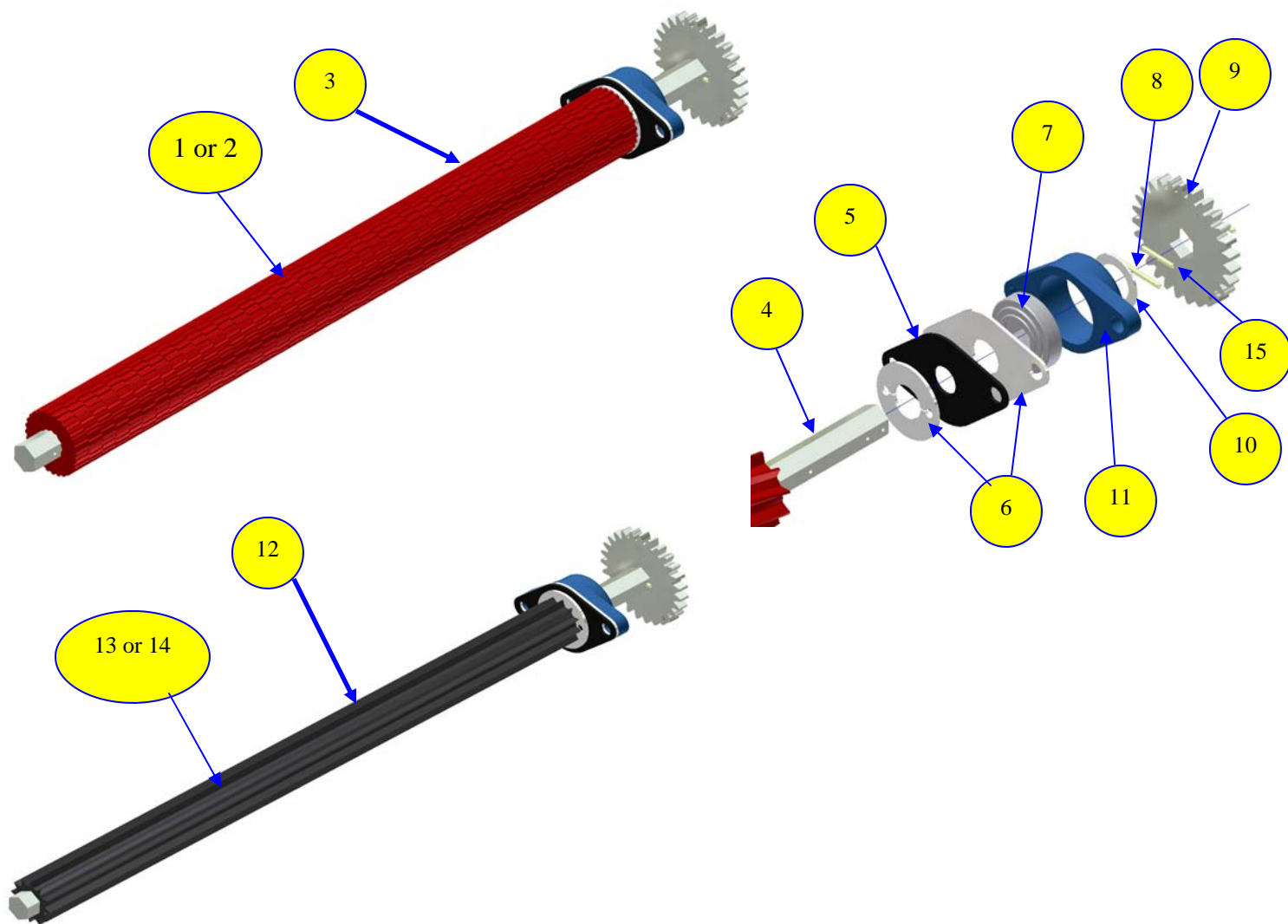
SH 1220-12

REAR TANK GEARBOX EXPLODED



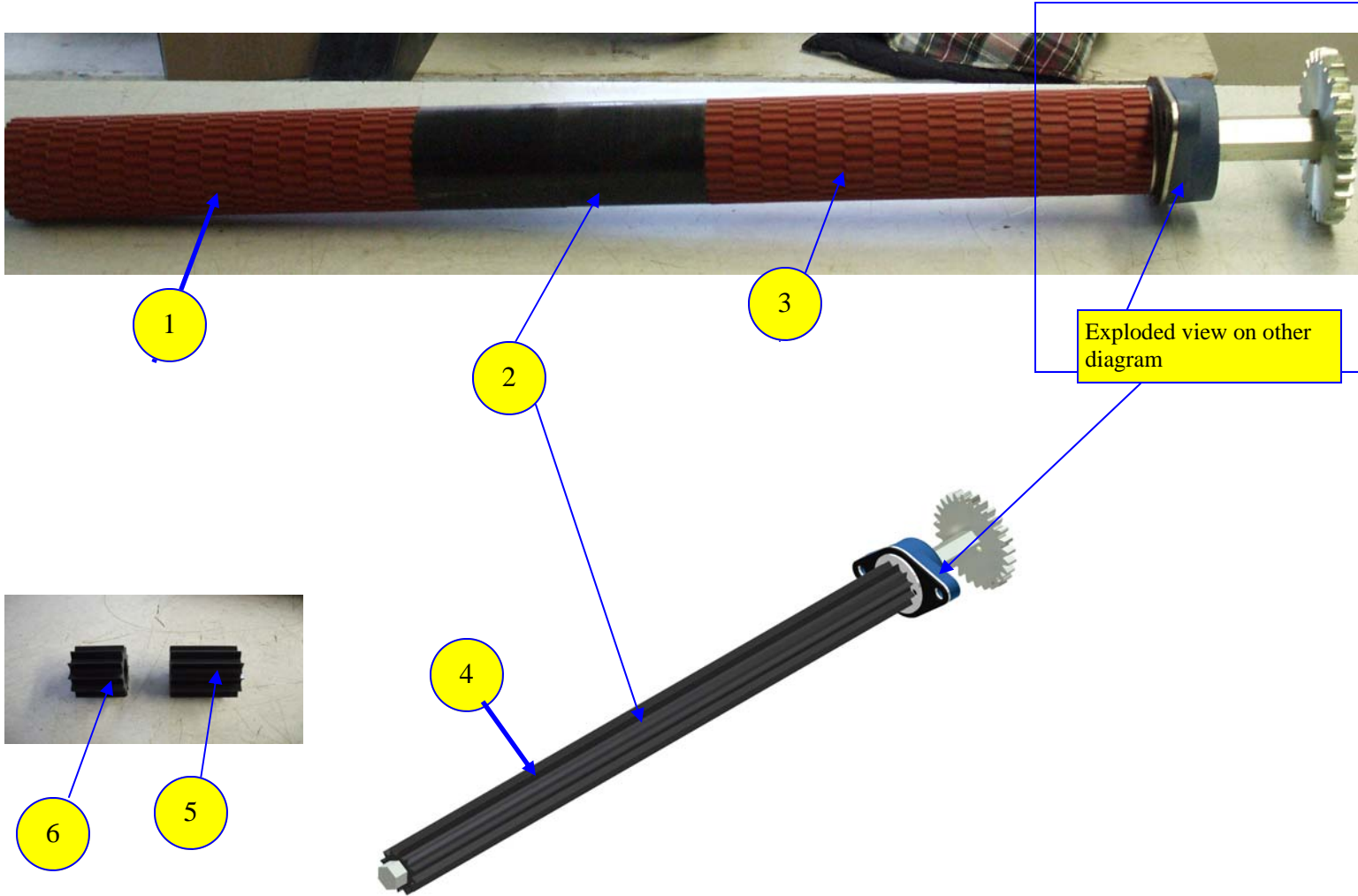
Item #	Qty	Part #	Description	Dimensions	Notes
1	1	311926	double 40 pitch 14 tooth		
2	2	311904	0.25" key	1/4"	
3	8	310259	3/8 x 1-1/2 NC Gr5 YZ (Carriage Head)	3/8" x 1 1/2"	
4	4	313203	SAFD205-16G bearing & pillow block for 1" shaft		
5	1	311925	54 tooth welded sprocket assy		
6	8	310203	3/8 NC Gr5 YZ (Hex serrated Flange Nut)	3/8"	
7	1	311898	9 gear cluster, welded & plated		
8	2	311905	Double loop hitch pin for gear boxes(2000-up)		
9	1	311899	3 gear cluster, welded & plated		
10	1	311924	1" Keyway shaft 22" long for calibration gear box(2005-2007)		
11	4	311055	5/8 NC Gr5 YZ (Hex serrated Flange Nut)		
12	1	311895	Gear box part A (shaft holder)(2000-2006 old style)		
13	1	311900	T- handle for gear boxes with 5/8 hex shaft threaded(2000-up)		
14	1	312820	40 pitch chain idler - 5/8" bore 17 tooth for gear box (2000-up)		
15	2	311114	5/8 SAE flat washer Gr2 YZ	5/8"	
16	1	311116	5/8 square ID flat washer x 1.5 OD x .105 thick Gr2 YZ	5/8"	
17	2	311091	5/8 x 4 x 5-1/2 NC Gr5 YZ (Square U-bolt)	5/8" x 4 x 5 1/2"	
18	1	311896	Gear box Part B (idler holder)(2000-2006 old style)		
19	1	310324	5/8 x 2-1/2 NC Gr5 YZ (Carriage Head)	5/8" x 2 1/2"	
20	1	311897	1" Keyway shaft 20.75" long for gear box(2000-2007)		
21	1	311923	Complete medium or rear tank gearbox	Everything	Shown in picture

SH-21 8 RUN ROLLERS



Item #	Qty	Part #	Description	Dimension	Notes
1	20	313483	1-1/2'' Red roller section		
2	2	313483	1-1/2'' red roller section		2 cut down to 1 inch
3	1	313625	Complete 8 run chemical roller (red)		Used with oilseed and inoculant
4	1	311846	Roller 1-18 hex shaft	1-1/8 x 38.625	inches
5	1	311835	Bearing gasket		Wrong place should be behind item # 6
6	1 1	311836 311844	Bearing sealer plate Roller sealer plate		These items are welded together as one
7	1	311830	207 KRRB12(1-1/8 hex bearing)		
8	1	311145	3/16'' x 2-1/2 roll pin Gr2 YZ	3/16 x 2-1/2	
9	1	311841	Meter roller spur gear(1-1/8)		
10	1	311847	Meter roller machine bushing		
11	1	311824	Pillow block FL207		
12	1	313624	Complete 8- run bean roller (black)		Used for fertilizer or grain
13	10	313484	Bean roller section 2'' wide		
14	8	313485	Bean roller section 1-1/2'' wide		
15	2	311158	3/16 x 1-1/2 roll pin Gr 2 YZ	3/16 x 1-1/2	

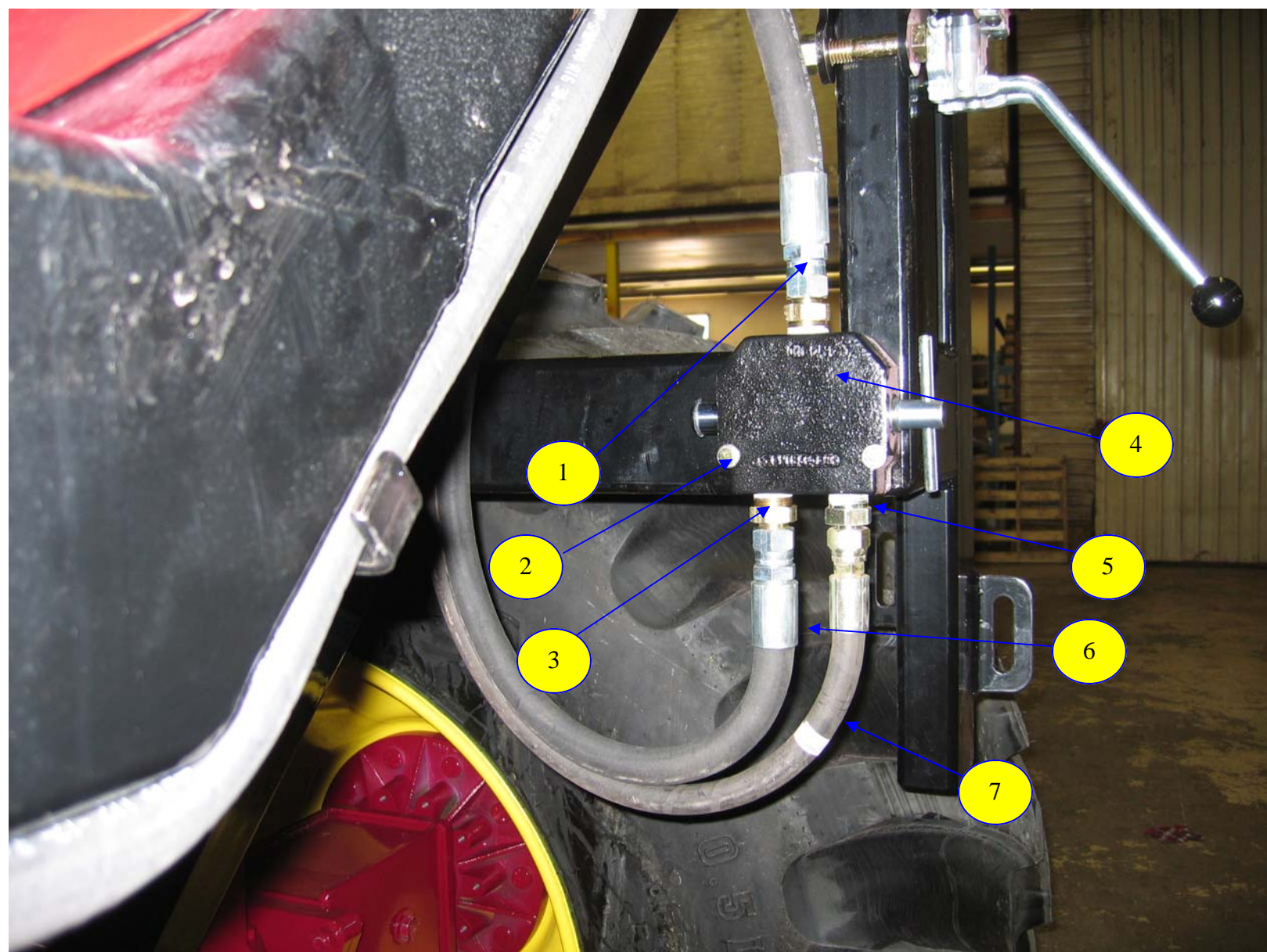
SH-1220-12 6 RUN ROLLERS



Item #2 is on both for 6 run rollers.

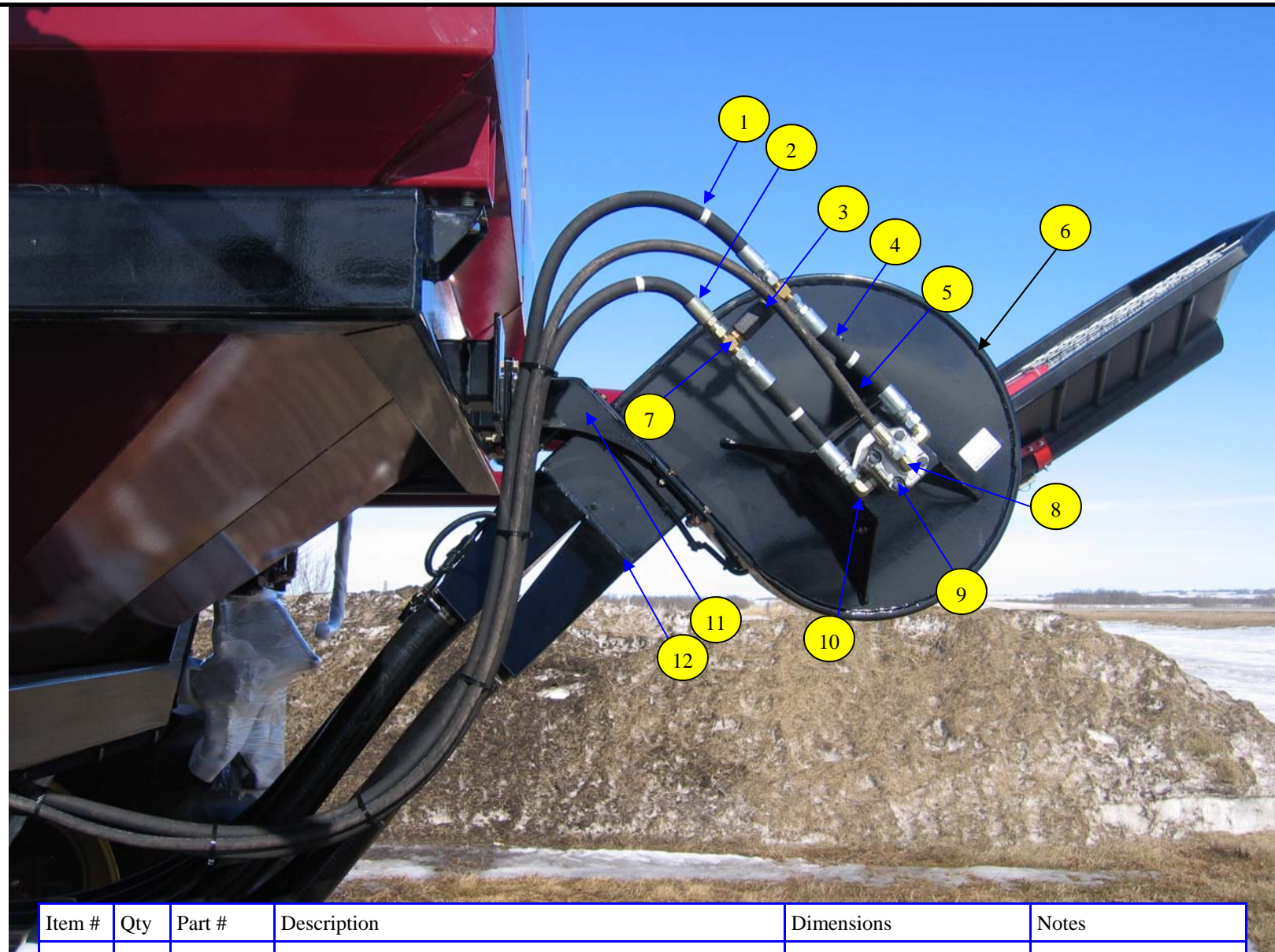
Item #	Qty	Part #	Description	Dimensions	Notes
1	1	313611	Complete 6 run chemical roller		
2	2	312957	4' roller shutoff sections		
3	16	313483	1-1/2' red roller section		
4	1	313610	Complete 6 run bean roller		
5	0	313484	2' bean roller section		
6	16	313485	1-1/2' bean roller sections		

SH 1220-12 DIVERTER HYDRAULIC HOSES, MISC



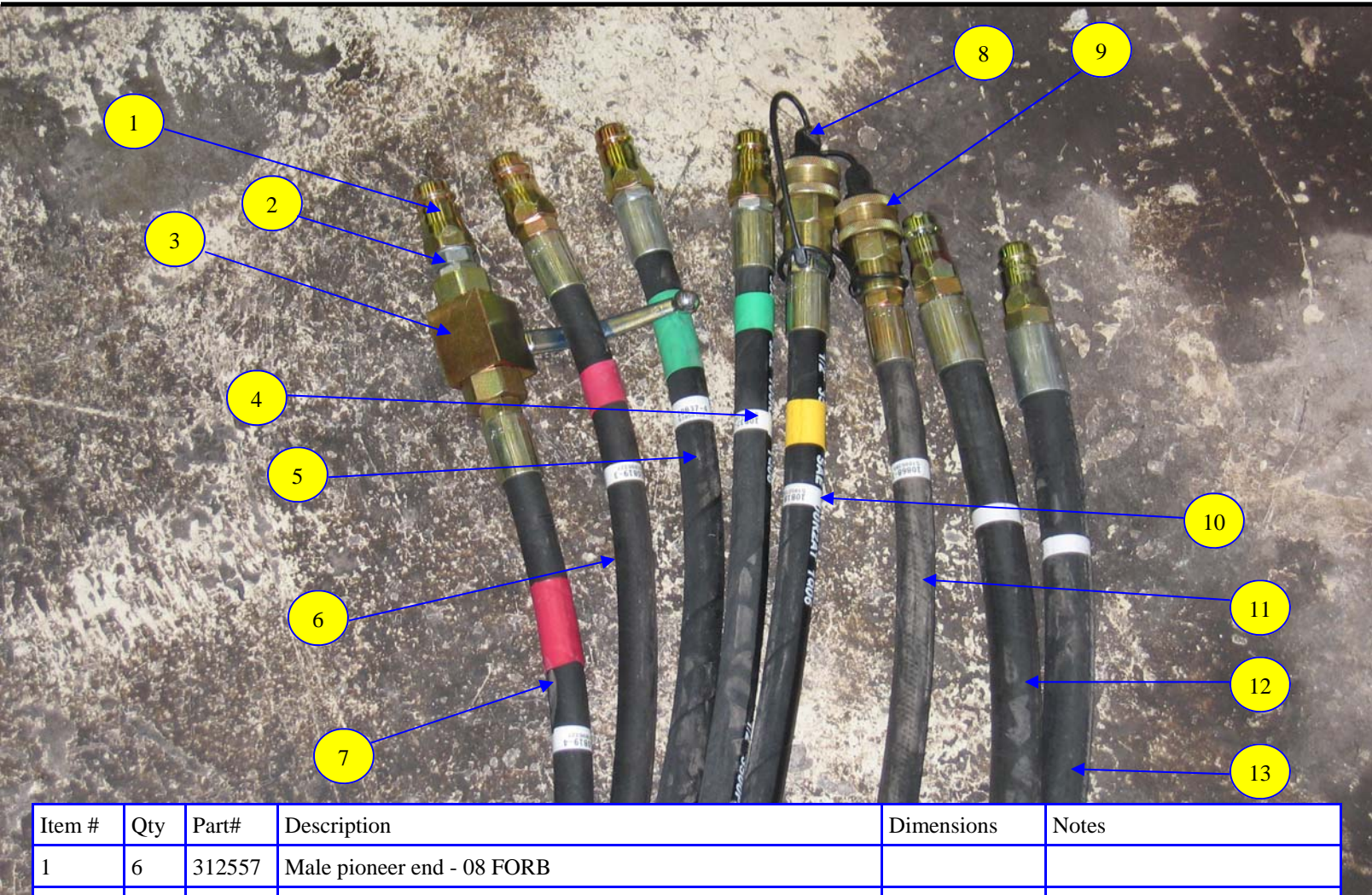
Item #	Qty	Part #	Description	Dimensions	Notes
1	1	312636	10B62-3 657" END 1-MALE TIP END 2-10FJIC (397 Diverter supply) 3/4" HOSE	3/4" hose 657" long	
2	2	310238	1/4 x 2-1/2 NF Gr8 HH YZ	1/4" x 2 1/2"	Also 2 of # 311103 (washers)
3	2	312508	2404-1012 Steel 5/8 M JIC x 3/4 MP	5/8" M JIC x 3/4"MP	
4	1	312859	Fan/fill auger (diverter block)		
5	1	312507	2404-08-12 Steel 1/2 M JIC x 3/4 MP	1/2" M JIC x 3/4" MP	
6	1	312688	10B63-1 282" E1-10FJIC E2-10FJIC (397 FAN RETURN) 3/4" HOSE	3/4" hose 282" long	
7	1	312692	10B66-1 24" E1-10FJIC E2-10FJIC (397 RETURN LINE 2) 3/4" HOSE	3/4" hose 24" long	

SH 1220-12 FAN HYDRAULIC HOSES, MISC PARTS



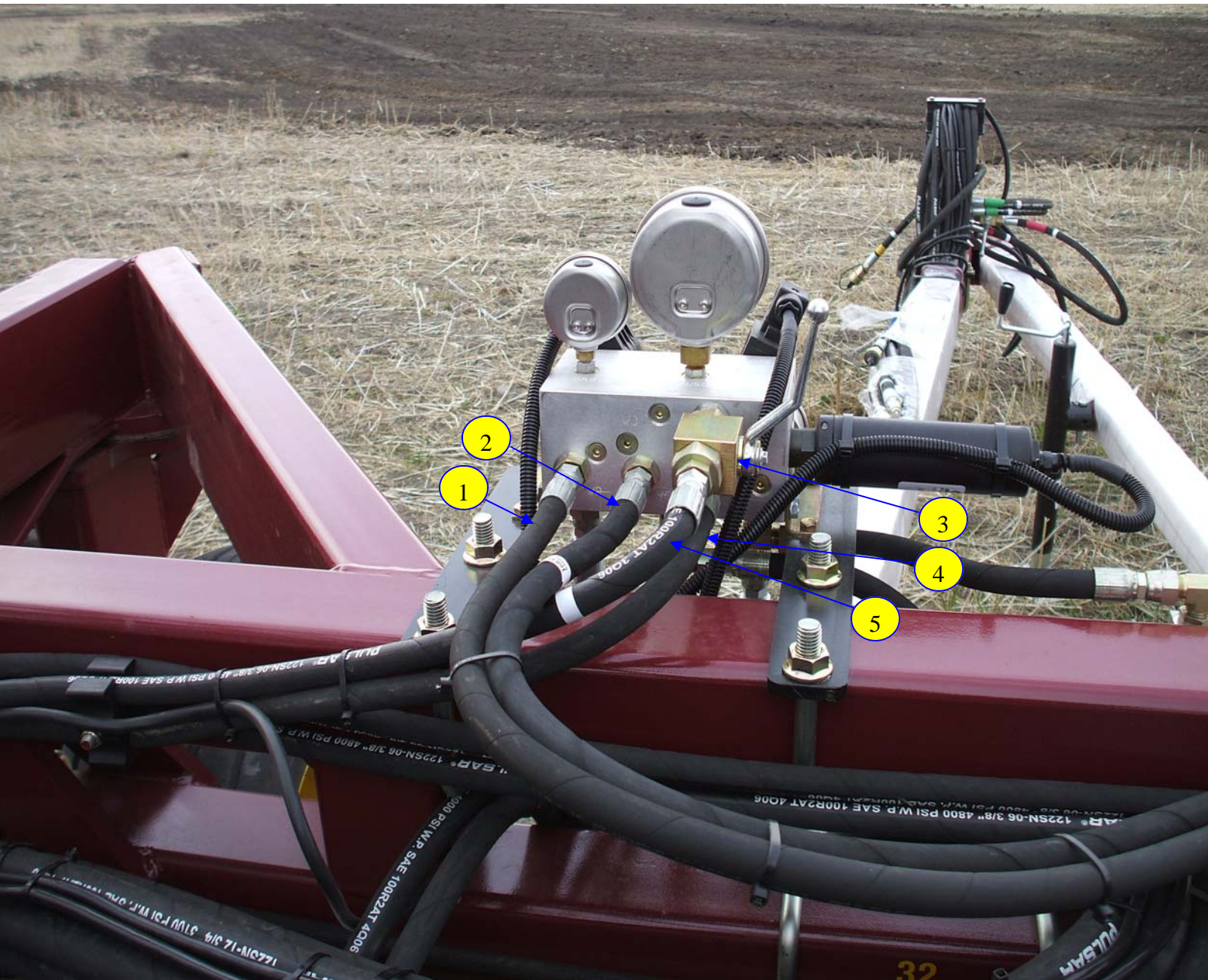
Item #	Qty	Part #	Description	Dimensions	Notes
1	1	312637	10B63-2 188" END 1-10 FJIC END 2-10FJIC (397 Diverter to fan supply) 3/4" HOSE		
2	1	312638	10B64-3 77" END 1-10 FJIC END 2-10FJIC (397 Single fan return to "T") 3/4" HOSE	3/4" hose 558" long	
3	1	312578	Fan check valve - 08 ORB		
4	2	312609	10B22-1 12" END 1--10 FJ END 2--10 FJ (Fan Loop) 3/4" HOSE	3/4" hose 112" long	
5	1	312642	10B68-3 653" END 1-08 MORB END 2-08FJIC (397 Fan dump to front hitch) 1/2" HOSE	1/2" hose 653" long	
6	1	313294	REM FAN (motor, housing, shaft, bearing,)		
7	2	312548	6801-1010 Steel 5/8 M JIC x 5/8 M ORB 90	5/8" M JIC x 5/8" ORB	
8	1	312544	6801-0608 Steel 3/8 M JIC x 1/2 M ORB 90	3/8" M JIC x 1/2 M ORB	
9	1	312566	Sauer gear motor (Rem fan)		
10	2	312548	6801-1010 Steel 5/8 M JIC x 5/8 M ORB 90	5/8" M JIC x 5/8" M ORB	
11	1	313606	397 fan mount(2007)		
12	1	313607	397 air splitter single fan complete		

SH 1220-12 FRONT SEEDER HYDRAULIC HOSES



Item #	Qty	Part#	Description	Dimensions	Notes
1	6	312557	Male pioneer end - 08 FORB		
2	1	312531	6407-0808 Steel 1/2 M ORB x 1/2 M ORB	1/2" orb	
3	1	312582	1/2" Ball valve 08 ORB ports (HY SPEC)	1/2" 08 orb	
4	1	312618	10B37-3 243" END 1--08 FJ END 2--08 MORB (OUT from Block) 1/2" HOSE	1/2" hose 243" long	
5	1	312619	10B37-4 243" END 1--08 FJ END 2--08 MORB (IN to Block) 1/2" HOSE	1/2" hose 243" long	
6	1	312605	10B19-3 255" END 1--08 FJ END 2--08 MORB (UP to Openers) 1/2" HOSE	1/2" hose 255" long	
7	1	312606	10B19-4 255" END 1--08FJ END 2--08MORB (DN to Openers) 1/2" HOSE	1/2" hose 255" long	
8	2	312558	Dust plugs for female pioneer ends		
9	2	312556	Female pioneer end - 08 FORB		There is no ball in the coupler.
10	1	312604	10B18-2 243" END 1--08 FJ END 2--08 MORB (Tank Line-No Tip) 1/2" HOSE	1/2" hose 243" long	
11	1	312642	10B68-3 653" END 1-08 MORB END 2-08FJIC (397 Fan dump to front hitch) 1/2" HOSE	1/2" hose 653" long	
12	1	312639	10B65-3 558" END 1-MALE TIP END 2-10FJIC (397 "T" to front hitch) 3/4" HOSE	3/4" hose 558" long	
13	1	312636	10B62-3 657" END 1-MALE TIP END 2-10FJIC (397 Di-verter supply) 3/4" HOSE	3/4" hose 657" long	

SH 1220-12 MAIN FRAME HYDRAULIC HOSES (diagram 1)



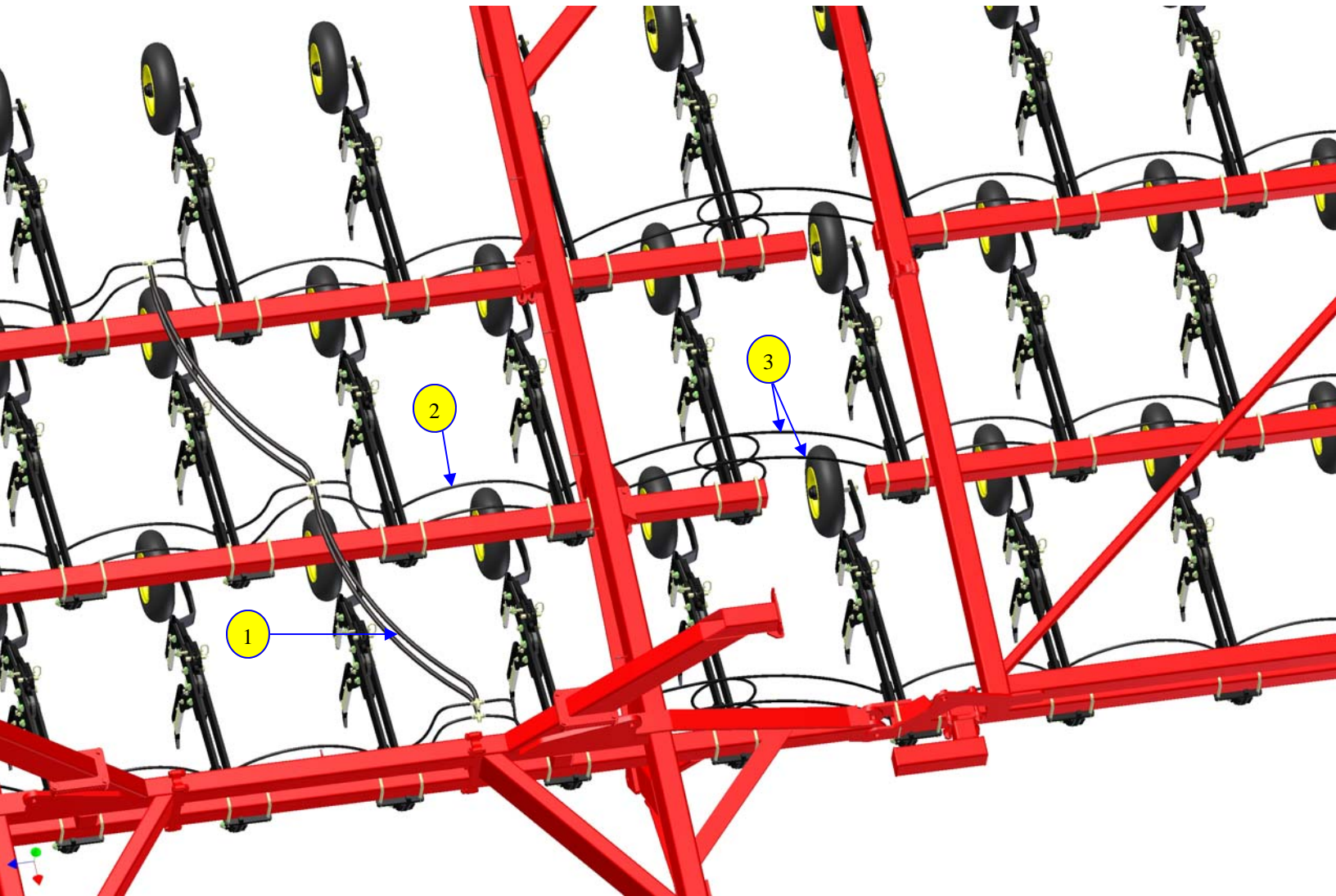
Item #	Qty	Part #	Description	Dimensions	Notes
1	1	312625	10B49-1 87" END 1--06FJ END 2--06FJ (Wing Up Feed) 3/8" HOSE	3/8" hose 87" long	
2	1	312624	10B48-2 87" END 1--06FJ END 2--06FJ (Wing Down Feed) 3/8" HOSE	3/8" hose 87" long	
3	1	312582	1/2" Ball valve 08 ORB ports (HY SPEC)	1/2"	
4	1	312626	10B50-3 174" END 1--06FJ END 2--06FJ (Shank Feed) 3/8" HOSE	3/8" hose 174" long	
5	1	312626	10B50-3 174" END 1--06FJ END 2--06FJ (Shank Feed) 3/8" HOSE	3/8" hose 174" long	

SH-1220-12 MAIN FRAME HYDRAULIC HOSES (CORNER VIEW)



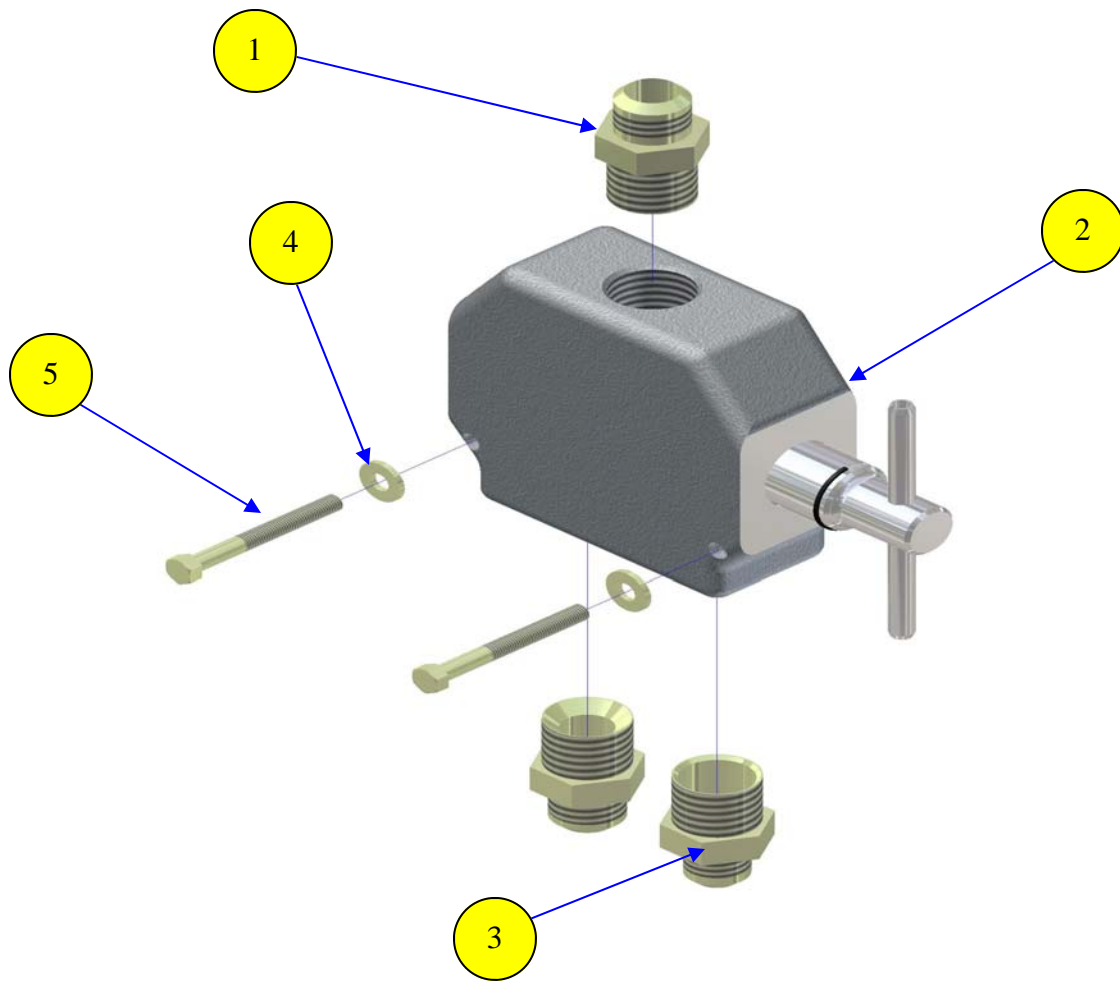
Item #	Qty	Part #	Description	Dimension	Notes
1	1	312624	10B48-2 87" END 1--06FJ END 2--06FJ (Wing Down Feed) 3/8" HOSE	3/8" hose 87" long	
2	1	312600	10B09-2 129" END 1--06 FJ END 2--06 FJ (M.F. Wing UP) 3/8" HOSE	3/8" hose 129" long	
3	1	312600	10B09-2 129" END 1--06 FJ END 2--06 FJ (M.F. Wing UP) 3/8" HOSE	3/8" hose 129" long	
4	1	312597	10B06-2 13" END 1--06 FJ END 2--06 FJ (M.F. Wing DN) 3/8" HOSE	3/8" hose 13" long	
5	1	312598	10B07-2 37" END 1--06 FJ END 2--06 FJ (M.F. Wing UP) 3/8" HOSE	3/8" hose 37" long	
6	2	312601	10B10-1 174" END 1-06 FJ END 2-06 FJ (M.F. Wing Front to Back) 3/8" HOSE	3/8" hose 174" long	

SH 1220-12 OPENER HYDRAULIC HOSES



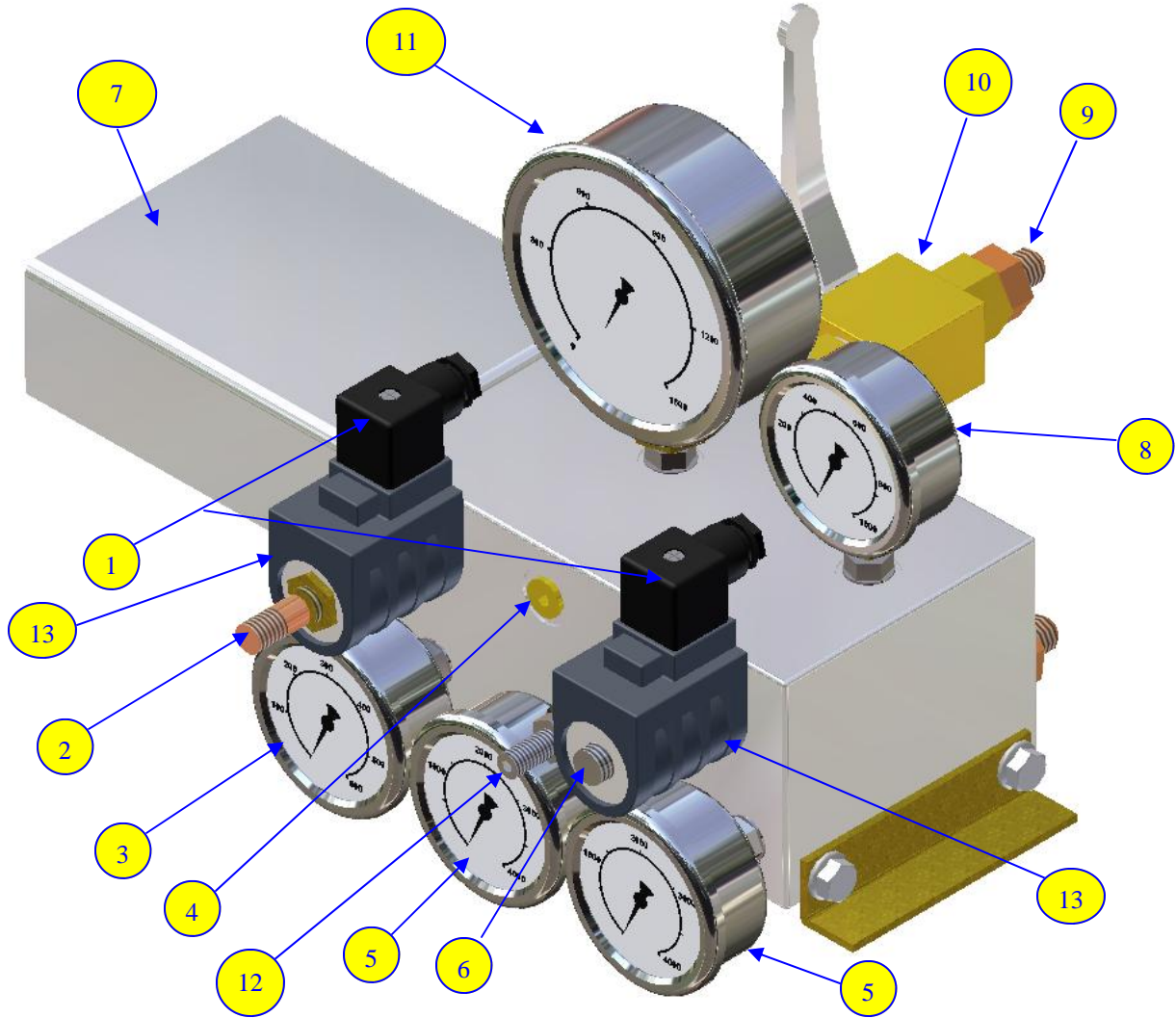
Item #	Qty	Part #	Description	Dimensions	Notes
1	4	312596	10B05-1 44" END 1--08 FJ END 2--08 FJ (M.F. Center Bridle) 1/2" HOSE	1/2" hose 44" long	
2	60	312592	10B01-1 40" END 1--06FJ END 2--06FJ (12" Center) 3/8" HOSE	3/8" hose 40" long	
3	24	312594	10B03-1 59.5" END 1--06FJ END 2--06FJ (Opener Wing Cross) 3/8" HOSE	3/8" hose 59.5" long	

SH 1220-12 SELECTOR VALVE (FILL AUGER AND FAN)



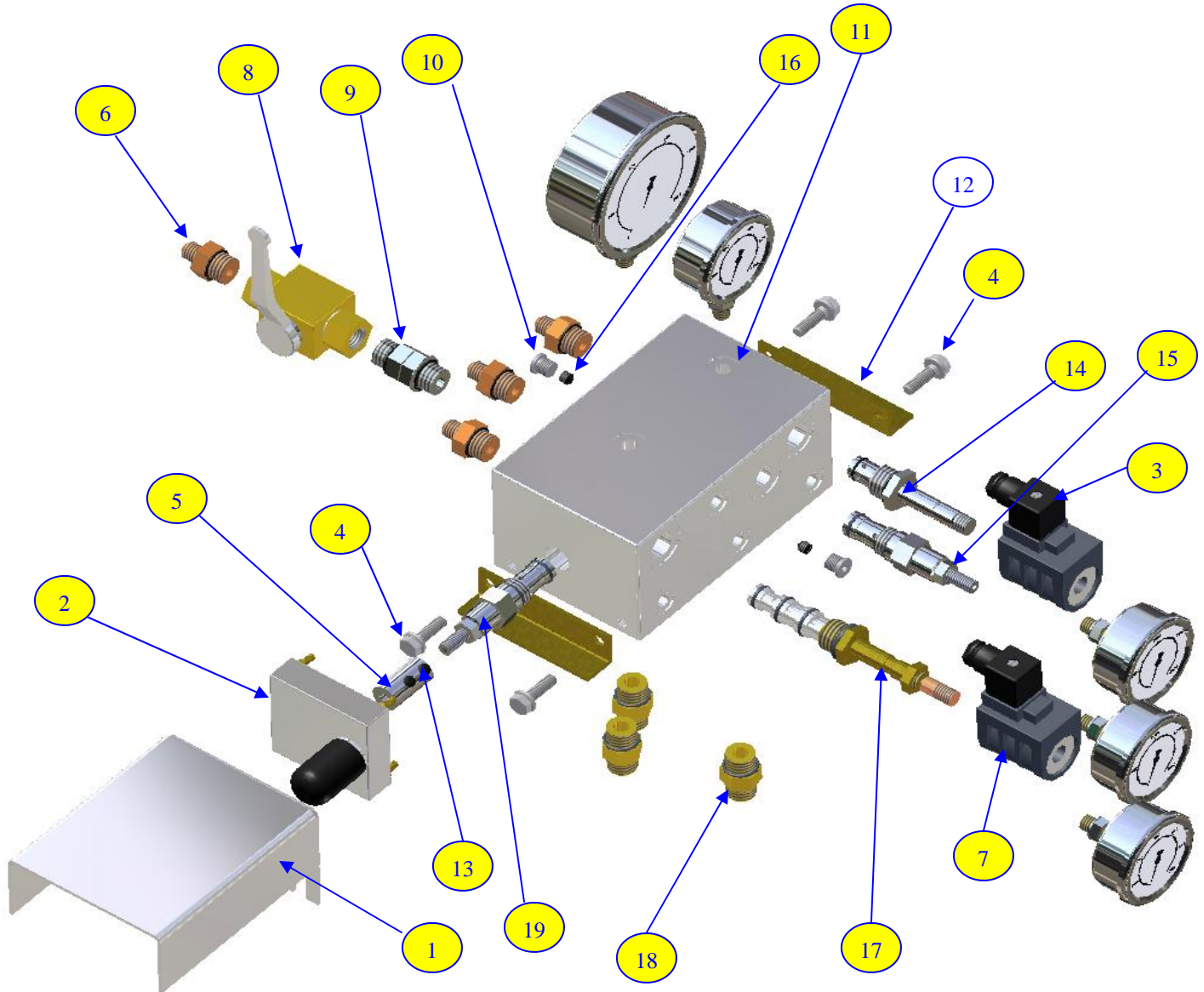
Item #	Qty	Part #	Description	Dimensions	Notes
1	2	312508	2404-1012 Steel 5/8 M JIC x 3/4 MP		
2	1	312584	Prince manual selector valve - 3/4" NPT ports		
3	1	312507	2404-08-12 Steel 1/2 M JIC x 3/4 MP		
4	2	311103	1/4 stainless flat washer		
5	2	310236	1/4 x 2-1/4 NF Gr8 HH YZ		

SH 1220-12 TWO STATION HYDRAULIC BLOCK



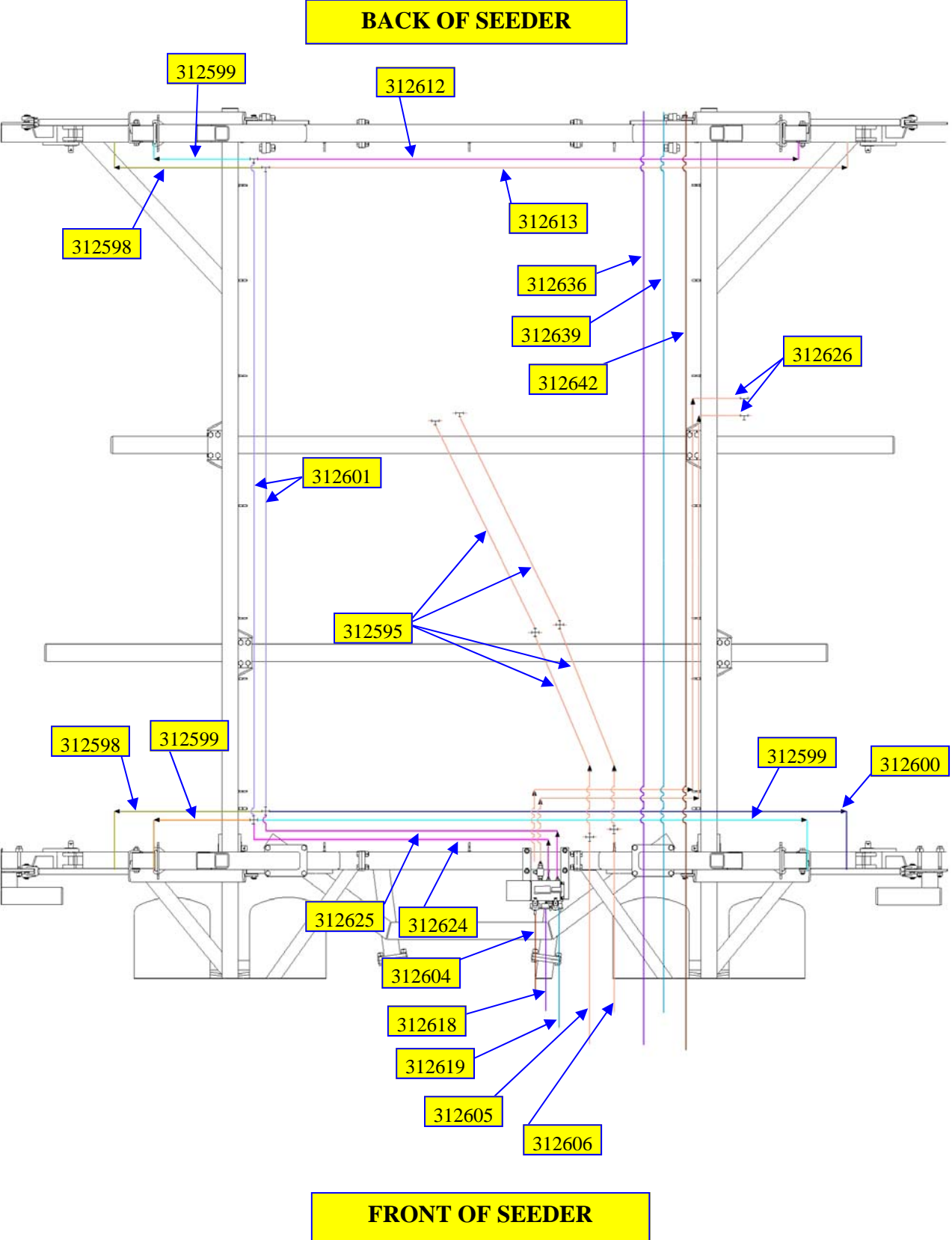
Item #	Qty	Part #	Description	Notes
1	2	312174	hirschman connector DEN167-01008-8 (comes on 312588)	
2	1	312579	DF S3A OM M.W solenoid valve(01-up)	
3	1	312502	SPG-63-600-PU gauge 2.5"dia(back mount)	
4	1	313360	5409-1 shank/wing orifice plug(02-up)	
5	2	312504	SPG-63-4000-PU gauge 2.5"dia(back mount)	
6	1	313328	DE S2B OO wing valve (2002-up)	
7	1	312830	Alumium shank motor cover(2002-2007)	
8	1	312501	SPG-63-1000-SU gauge 2.5" dia (bottom mount)	
9	4	312518	6400-0608 Steel 3/8 M JIC x 1/2 M ORB	
10	1	312582	1/2" Ball valve 08 ORB ports (HY SPEC)	
11	1	312503	SPG-100-1500-SU gauge 4"dia(bottom mount)	
12	1	313326	RDDA-LBN shank,wing valve(2002-up)	
13	2	313346	DHC12 shank&wing coil(2002-up)	

SH 1220-12 EXPLODED 2 STATION BLOCK



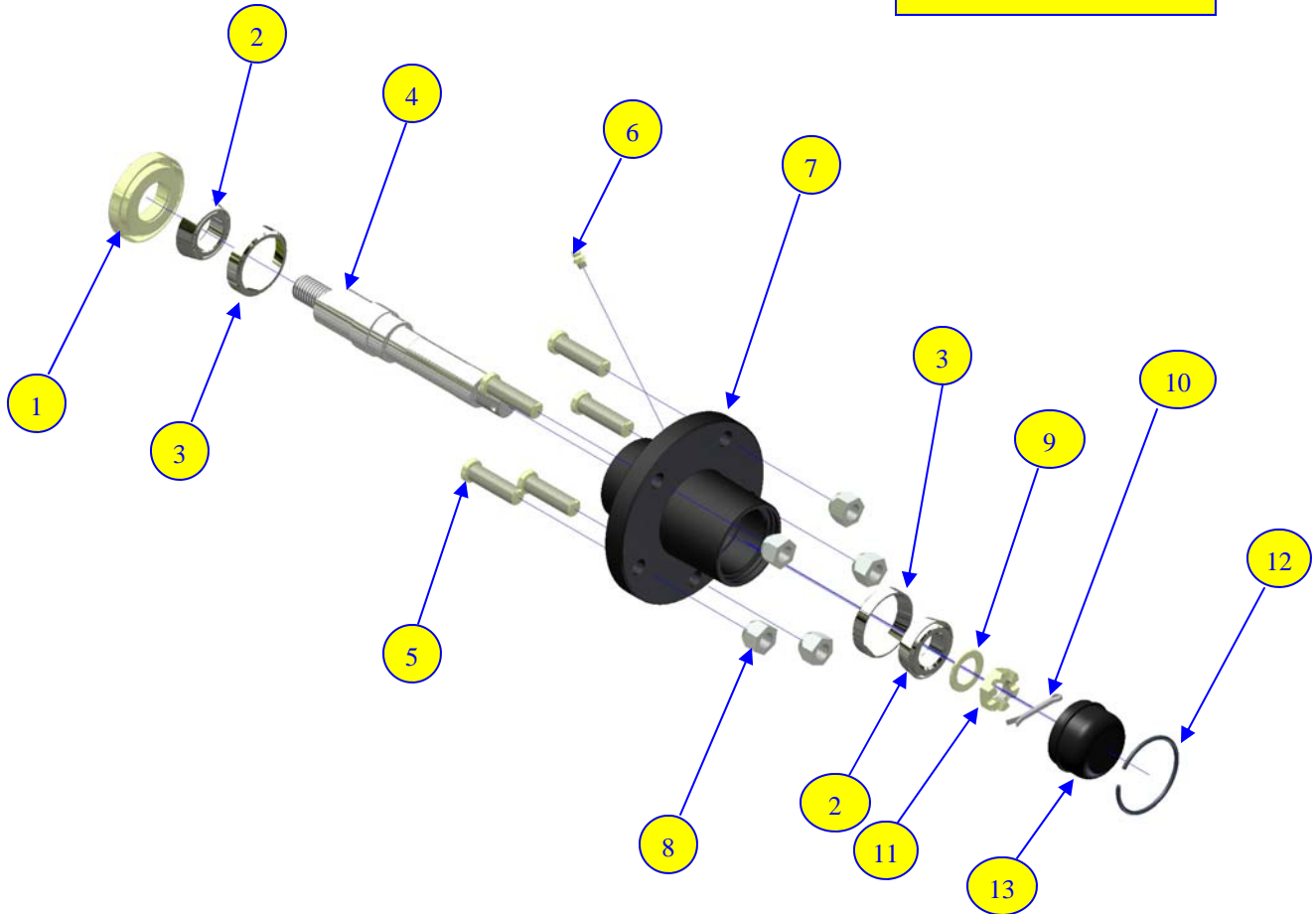
Item #	Qty	Part #	Description	Notes	Item #	Qty	Part #	Description	Notes
1	1	312830	Aluminum shank motor cover(2002-2007)		11	1	312569	2-station hydraulic block	
2	1	312565	DMD2L009 Dayton gear motor		12	2			
3	2	312174	Hirschman connectors(02-up)		13	2	312829	5/16" x 1/4" NF set screw	
4	4	310228	1/4 x 1 NC Gr5 HH YZ		14	1	313328	DE S2B OO wing valve (2002-up)	
5	1	312828	Shank motor coupler(2002-2007)11B03-1		15	1	313326	RDDA-LBN shank, wing valve (2002-up)	
6	4	312518	6400-0608 Steel 3/8 M JIC x 1/2 M ORB		16	2	313356	0.031 DIA shank orifice (2002-up)	
7	2	313346	DHC12 shank& wing coil(2002-up)		17	1	31338	DGS4B OM shank solenoid valve 04-up	
8	1	312582	1/2" Ball valve 08 orb ports (HY SPEC)		18	3	312521	6400-0808 Steel 1/2 M JIC x 1/2 M ORB	
9	1	312531	6407-0808 Steel 1/2 ORB x 1/2 M ORB		19	1	313326	RDDA-LBN shank, wing valve (2002-up)	
10	2	313360	5409-1 shank/wing orifice plug (02-up)						

SH-1220-12 HYDRAULIC SCHEMATIC



SH 1220-12 PACKER HUB (EXPLODED)

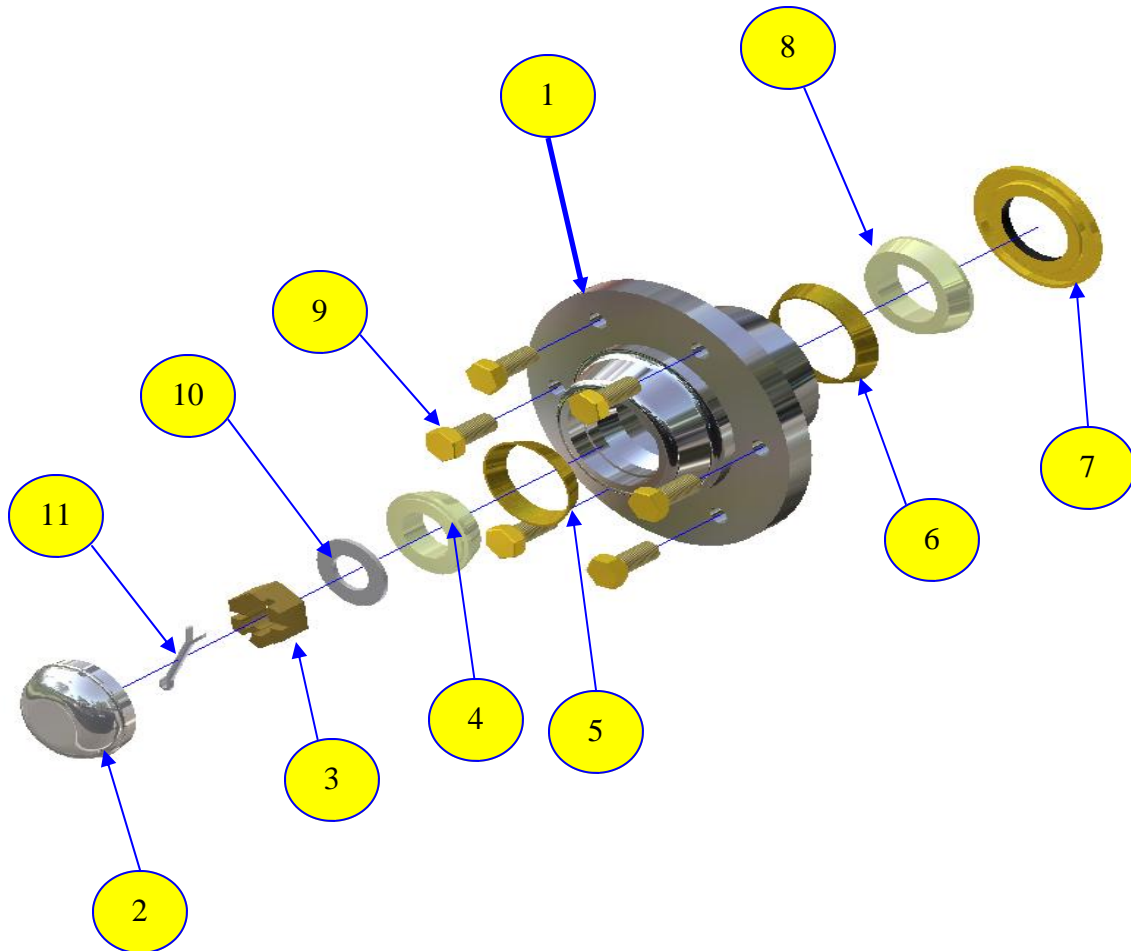
Part # 14 is complete hub



Item #	Qty	Part #	Description	Width	Length	Notes
1	1	310037	2007 packer wheel hub 3 piece seal			
2	2	310035	2007 packer wheel hub bearing			
3	2	310036	2007 packer wheel hub cup			
4	1	310033	2007 packer wheel hub spindle-black oxide			
5	5	310032	Studs come with hub			
6	1	310014	1/4 inch grease nipple			
7	1	310032	2007 packer wheel hub/ with studs			
8	5	312929	Packer hub wheel nut	1/2 inch		1/2'' NF cone nut
9	1	310039	Packer hub washer			
10	1	312931	3/16 x 1-1/2 cotter pin	3/16 inch	1-1/2 inch	
11	1	310213	Packer spindle castle nut			
12	1		2007 packer hub cap spring			
13	1	310034	2007 packer hub dust cap			
14	1	310031	Complete opener hub			

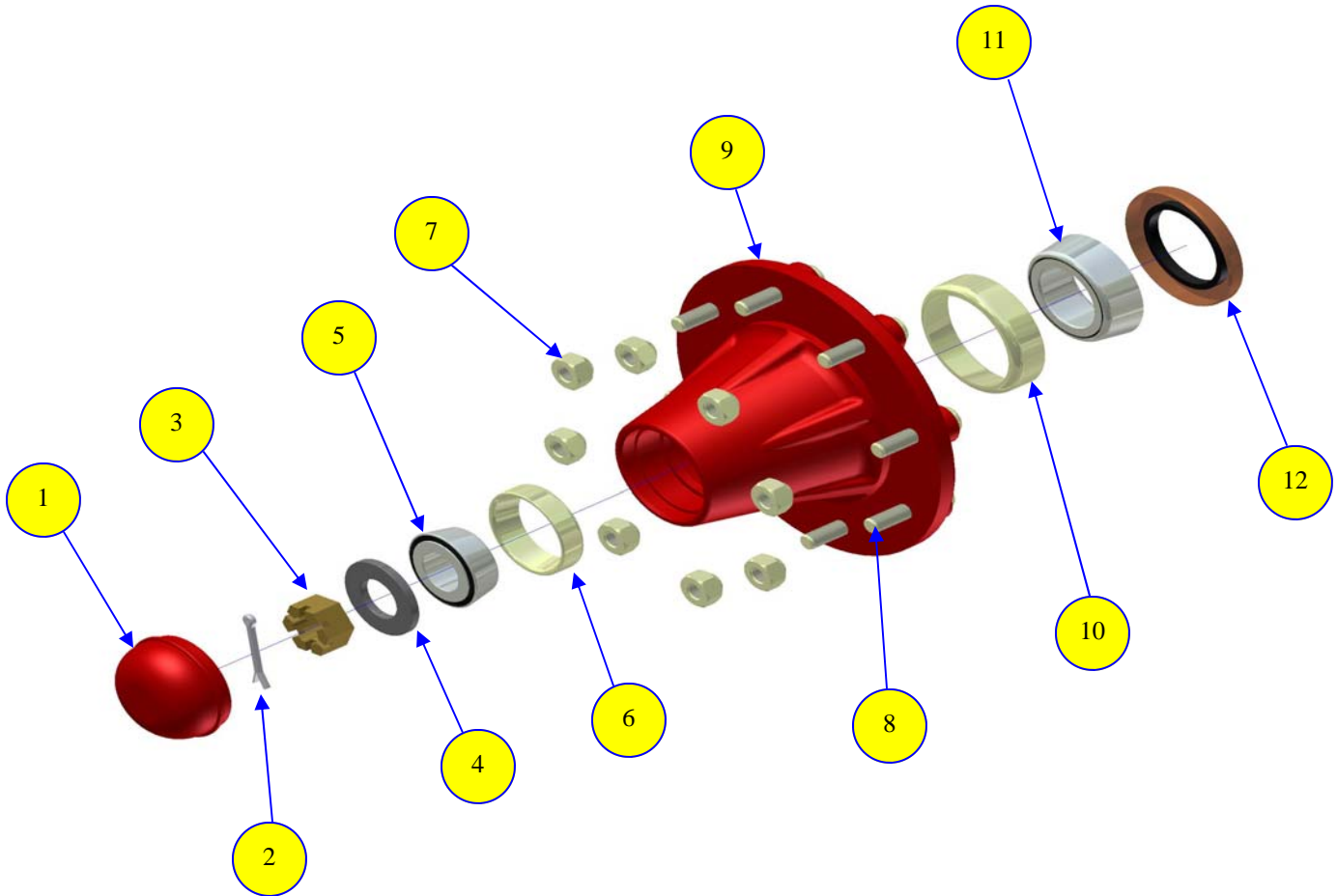
SH 1220-12

11L15 HUB EXPLODED



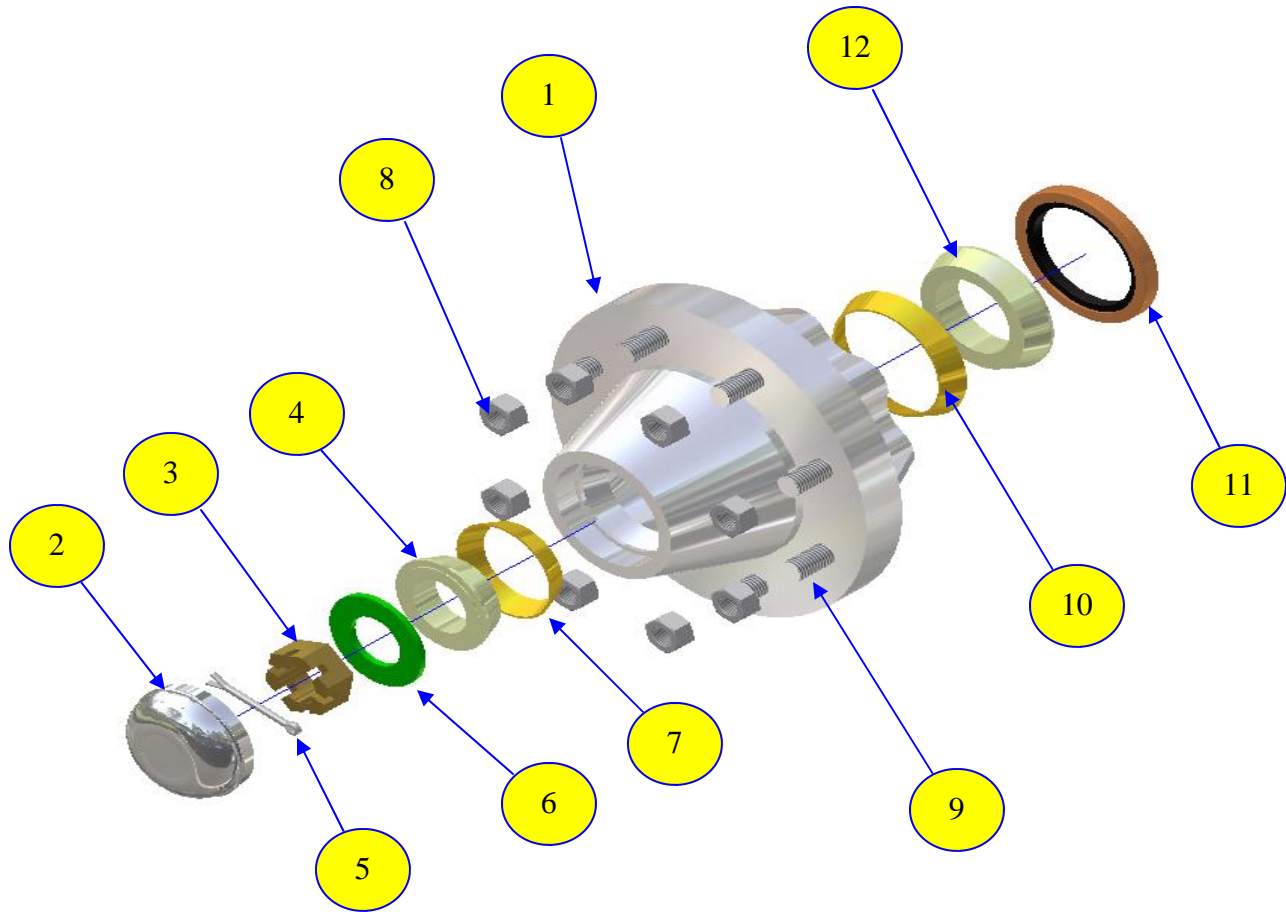
Item #	Qty	Part #	Description	Dimensions	Notes
1	1	312261	6-Bolt Hub (HA614-1)		Doesn't include #3, #10, #11
2	1	312270	dust cap (DC15)		
3	1	311207	1" NF castle nut for 11L,12L,13.1L	1"	
4	1	312264	caster bearing (front) LM48548-N		
5	1	312262	caster hub race (front) (LM48510)		
6	1	312263	caster hub race (rear) (25520)		
7	1	312266	caster hub seal 20148		
8	1	312265	caster bearing (rear) LM603049		
9	6	312268	Caster hub bolts		
10	1	312269	castor hub washer		
11	1	311615	3/16" x 2 plated cotter pin	3/16" x 2"	

SH 1220-12 19.5L & 12.5L EXPLODED (FRONT CASTOR HUB)



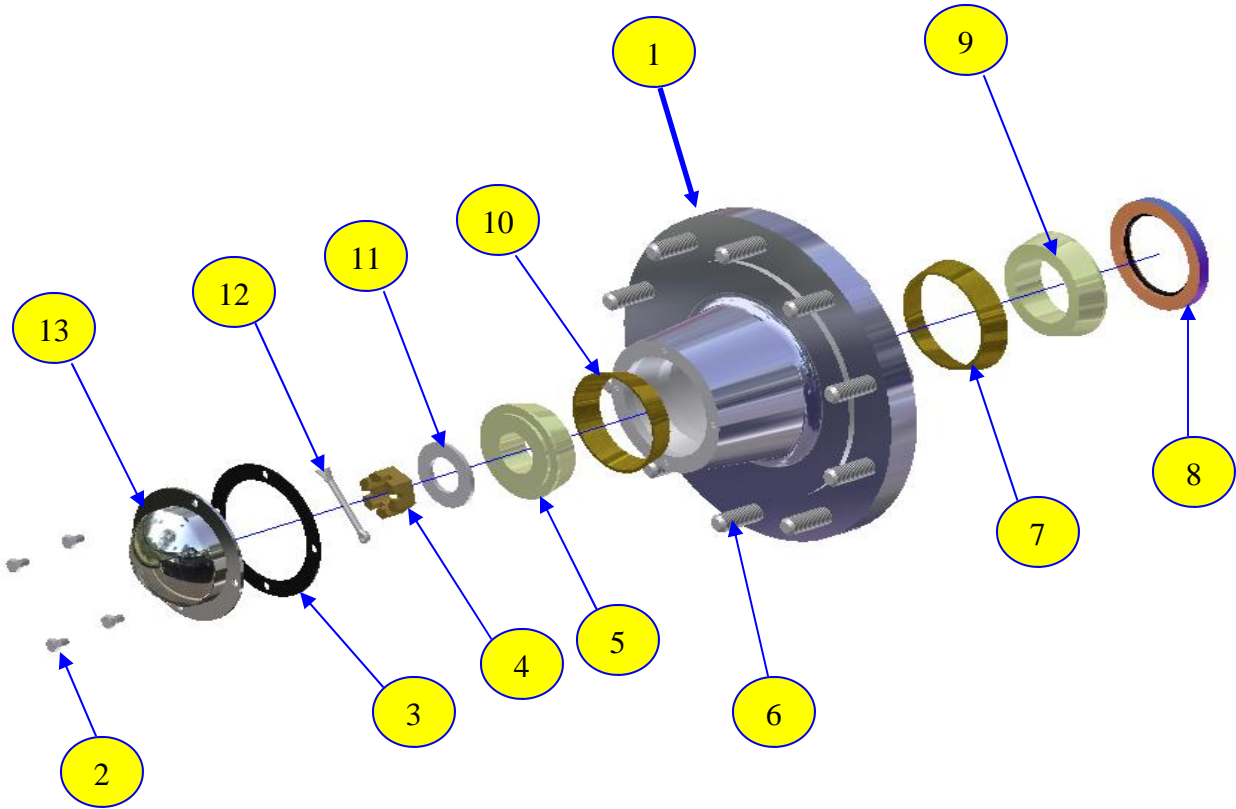
Item #	Qty	Part #	Description	Width	Length	Notes
1	1	311636	DC17 Dust cap for HDA812-21			
2	1	311615	3/16" x 2 plated cotter pin	3/16 inch	2inch	
3	1	311074	1 NF Gr2 Bare (Slotted Hex Nut)	1" NF		
4	1	311126	1 USS flat washer Gr2 Bare	1"		
5	1	311639	inner bearing for HDA812-21 (2790)			
6	1	311641	Inner cup for HDA812-21			
7	8	311637	WB40 Wheel nut for HDA812-21			
8	8	311638	WB41 Stud for HDA812-21			
9	1	311634	HDA812-21 8-bolt hub			
10	1	311642	Outer cup for HDA812-21			
11	1	311640	Outer bearing for HDA812-21 (3780)			
12	1	311635	SE17 Seal for HDA812-21			

SH 1220-12 8-BOLT HUB(500 TIRES)



Item #	Qty	Part #	Description	Width	Length	Notes
1	1	311606	HA817-3 8-bolt hub (500 tire)			
2	1	311610	Extra dust cap HA817-3 hub(500) (DC26)			
3	1	311201	1-1/4" castle nut for 28L,22.5	1 1/4"		
4	1	311608	Extra 500 hub outer bearing (LM501349)			
5	1	311617	1/4" x 2-1/2" cotter pin	1/4"	2 1/2"	
6	1	311203	1 3/8" flat washer (yellow zinc)	1 3/8"		
7	1	311614	Extra outer cup HA817-3 hub(500) (LM501310)			
8	8	311611	Extra Wheel nut for HA817-3 hub500			
9	8	311612	Extra wheel stud for HA817-3 hub			
10	1	311613	Extra inner cup HA817-3(500) (382A)			
11	1	311609	Extra seal for HA817-3 hub(500)			
12	1	311607	Extra 500 hub inner bearing(387AS)			

SH 1220-12 28L26 HUB EXPLODED

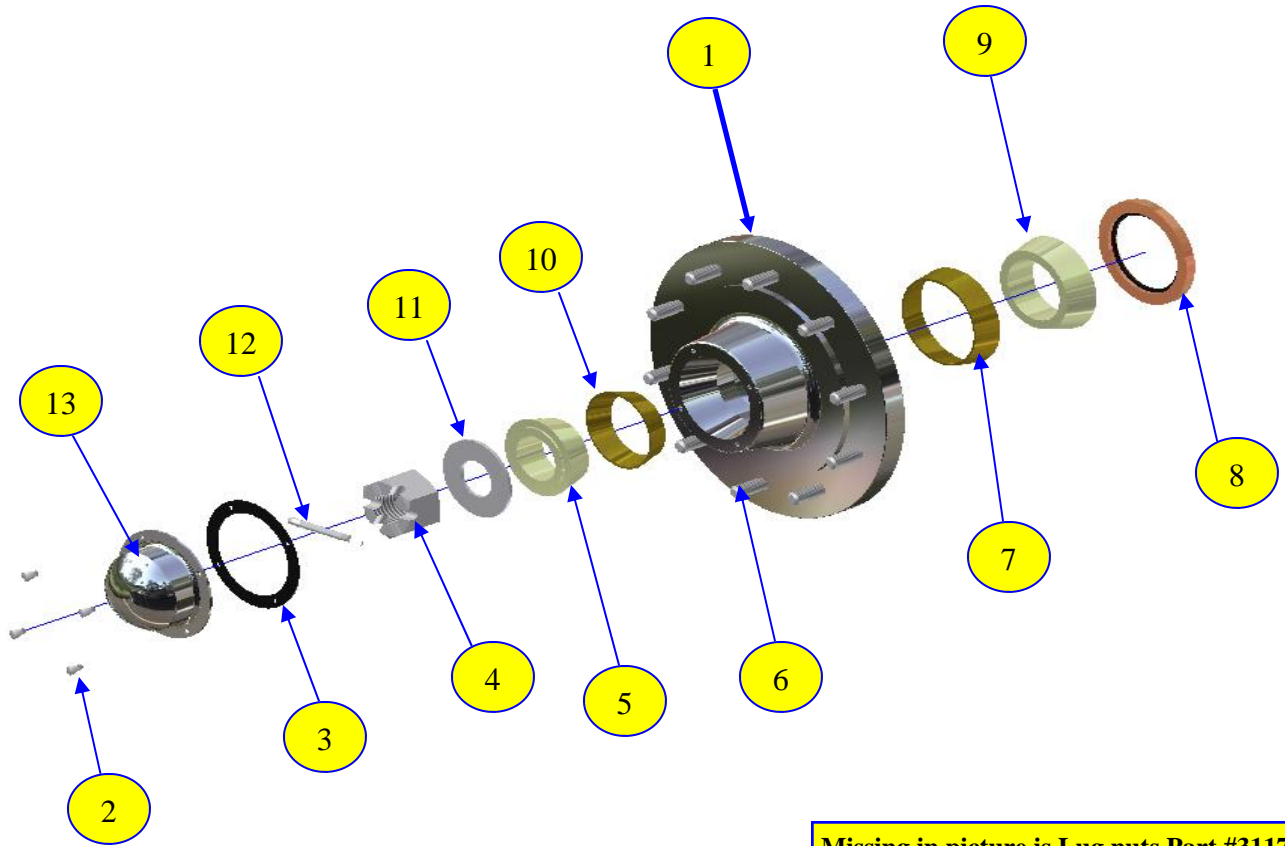


**Missing from picture is Lug nuts Part #311769
Qty 10 to go on item # 6**

Item #	Qty	Part #	Description	Dimensions	Notes
1	1	311750	28L26 Hub assembly (HA1010-5)		Doesn't include #4,#11,#12
2	4	311619	WB53 Dust cap bolt - 30.5L hub		
3	1	311768	28L26 dust cap gasket		
4	1	311769	28L26 hub crown nut 1-1/4 NC Gr2 Bare (Slotted Hex Nut)	1 1/4 "	
5	1	311765	28L26 hub bearing (front) (460)		
6	10	311771	28L26 Hub stud (WB51)		
7	1	311764	28L26 hub race (rear) (33462)		
8	1	311767	28L26 hub seal CR-33772		
9	1	311766	28L26 hub bearing (rear) (33275)		
10	1	311763	28L26 hub race (front) (453A)		
11	1	311772	28L26 Hub Washer 1-1/2 ID x 2-3/4 OD x .165 W Gr2 Bare	1 1/2" x 2 3/4"	
12	1	311617	1/4" x 2-1/2" cotter pin	1/4" x 1 1/2"	
13	1	311770	28L26 dust cap (DC 27)		

SH-1220-21

30.5 HUB ASSEMBLY EXPLODED

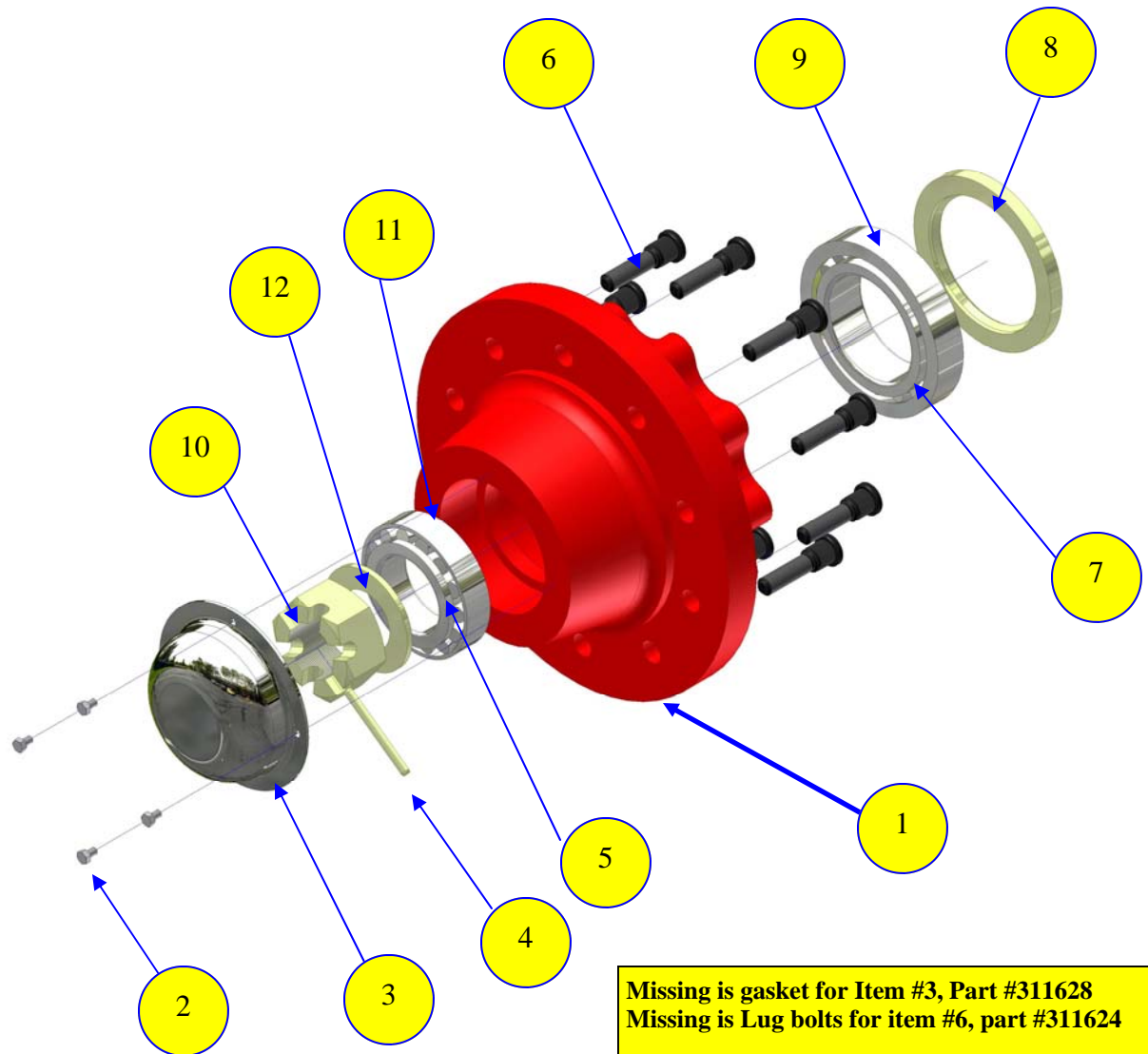


Missing in picture is Lug nuts Part #311759 Qty 10 for item # 6

Item #	Qty	Part #	Description	Dimensions	Notes
1	1	311749	30.5L32 Hub assembly (HDA1021)		Doesn't include #4, #11, #12
2	4	311619	WB53 Dust cap bolt - 30.5L hub		
3	1	311757	30.5 dust cap gasket		
4	1	311759	30.5 Hub Nut 2 NC Gr2 Bare (Slotted Hex Nut)	2"	
5	1	311755	30.5 hub bearing (front) (HM212049)		
6	10	311758	30.5 Hub stud (WB51)		
7	1	311752	30.5 hub race (rear) (HM218210)		
8	1	311762	30.5 hub seal - SE55 seal		
9	1	311756	30.5 hub bearing (rear) (HM218248)		
10	1	311753	30.5 hub race (front) (HM212010)		
11	1	311760	30.5 Hub Washer 2-1/4 ID x 4-1/2 OD x .18 W Gr2 Bare	2 1/4" x 4 1/2"	
12	1	311621	3/8 x 3.5 cotter pin for 30.5 hub	3/8" x 3.5"	
13	1	311754	30.5 dust cap (DC28)		

SH 1220-12

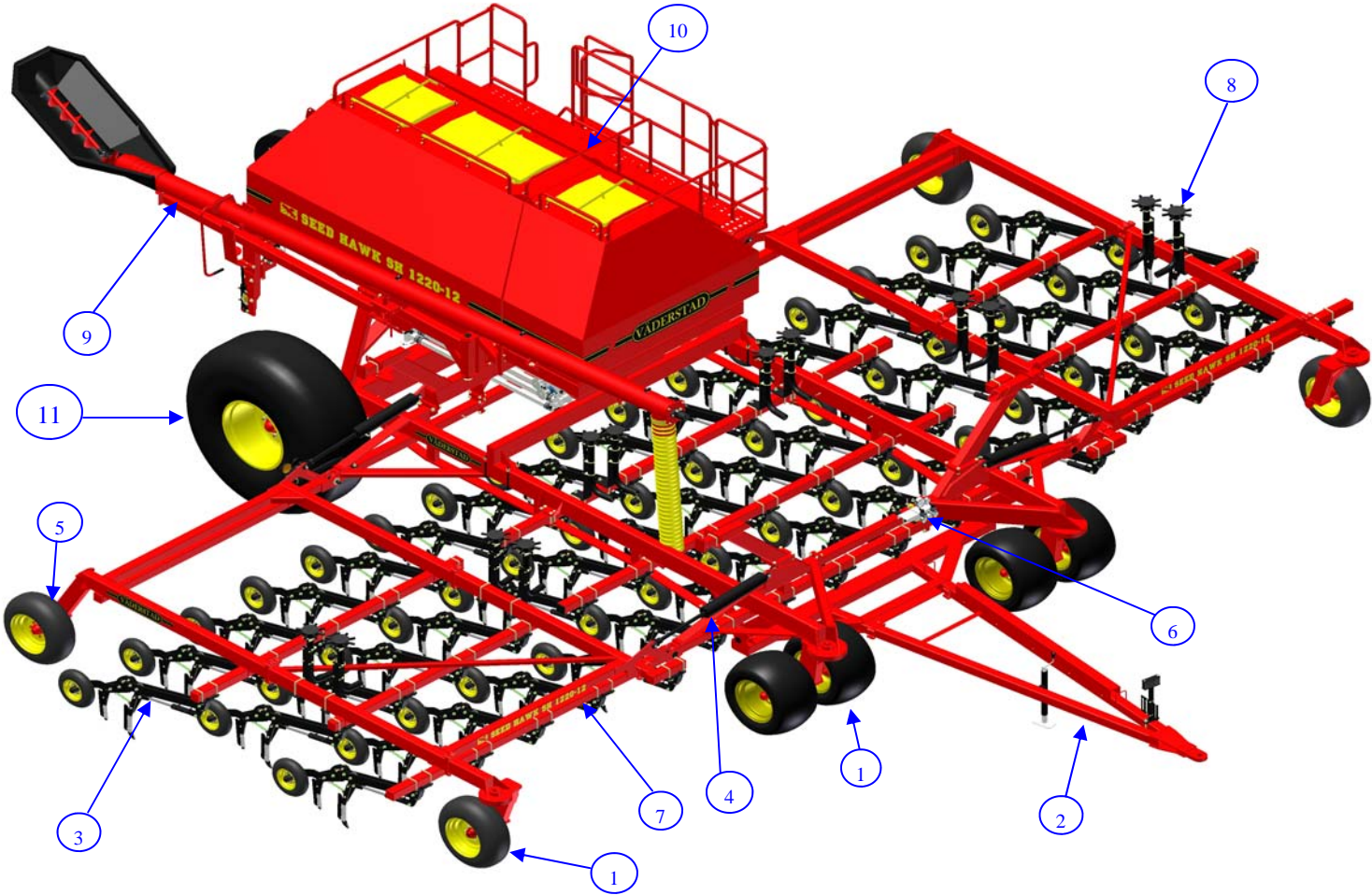
25000 LB HUB EXPLODED(DUALS)



Missing is gasket for Item #3, Part #311628
Missing is Lug bolts for item #6, part #311624

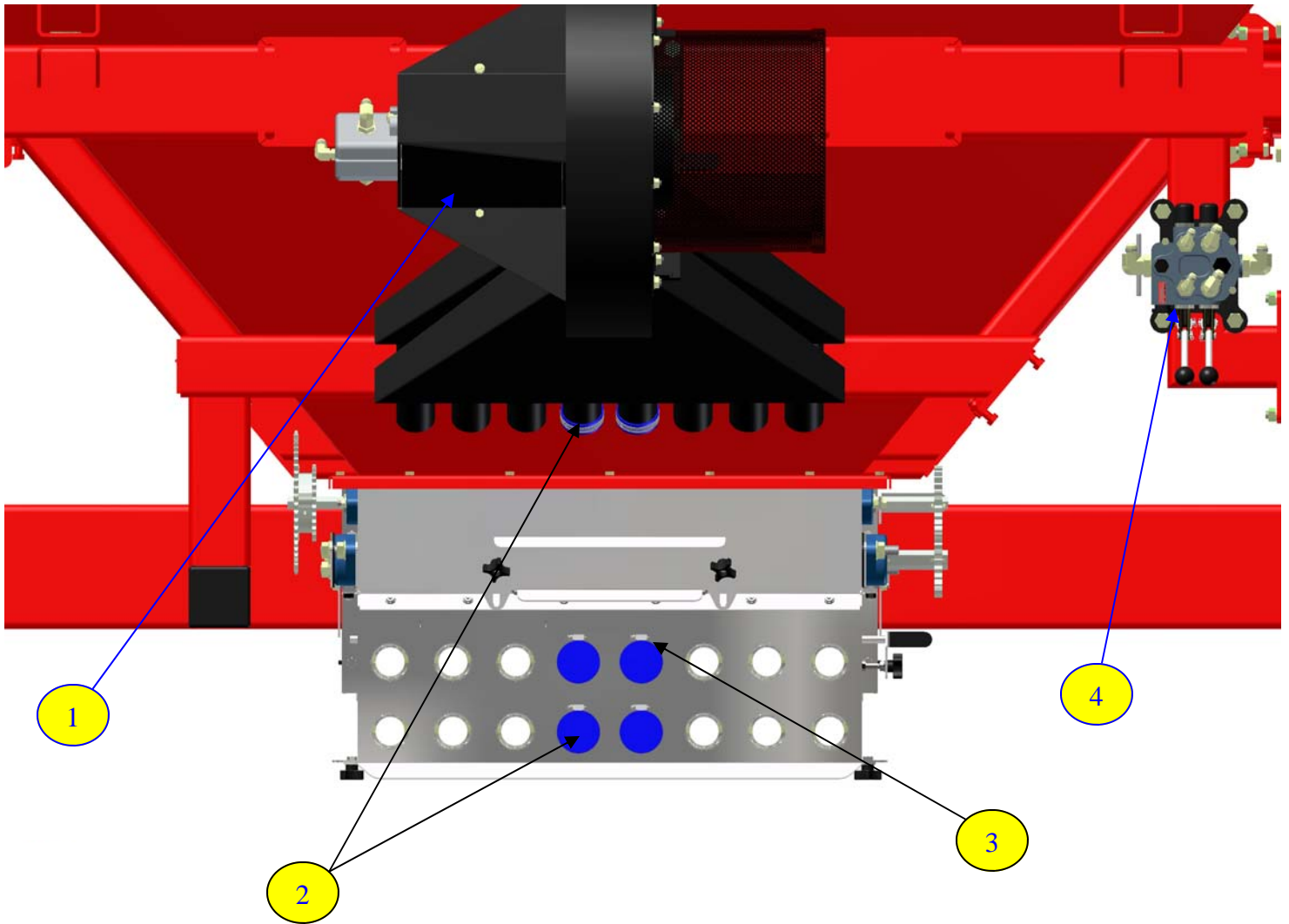
Item #	Qty	Part #	Description	Dimensions	Notes
1	1	311622	25000 LB 10 13.188 BC duct hub		
2	4	311619	WB53 Dust cap bolt - 30.5L hub		
3	1	311628	25000lb hub dust cap(D-25000)		
4	1	311629	25000 lb hub Roll pin 3/8x4"		
5	1	311630	25000lb hub outer bearing(663)		
6	10	311624	25000 (F750-35 Wheel stud - 3-1/2"		
7	1	311631	25000lb hub inner bearing(71455)		
8	1	311626	25000 hub grease seal (CR55179)		
9	1	311633	25000 lb hub inner cup (71750)		
10		311623	25000 hub(F750 NUT Wheel nut)		
11	1	311632	25000 lb hub outer cup (653)		
12	1	311625	25000 hub W750 Spherical washer		

SH 1220-12 Overview



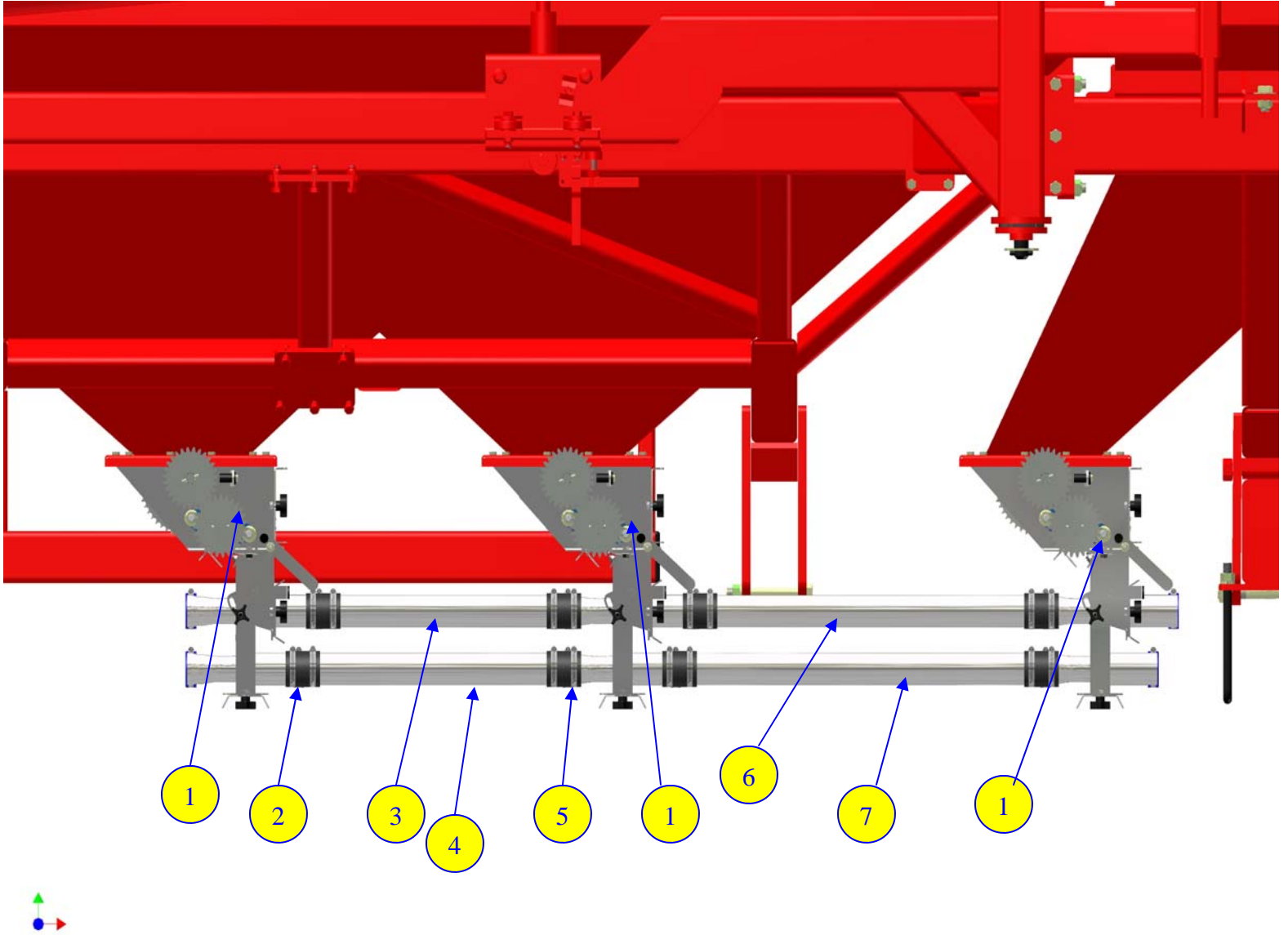
No.	Part #	Description	Sub section
1		Front castors	Castors
2		Front Hitch	Hitch
3		Complete opener	Opener
4		Cylinders	Hydraulics
5		Complete rear wing wheel	Rear wing wheel
6		Hydraulic block	Hydraulics
7		Complete 3 plex wing	Wing
8		Complete Secondary air kit	Air kit
9		Complete 8'' fill auger assembly	Fill auger
10		Tank	Tank
11		Rear tires	Tires

SH1220-12
OVERVIEW (back of machine)



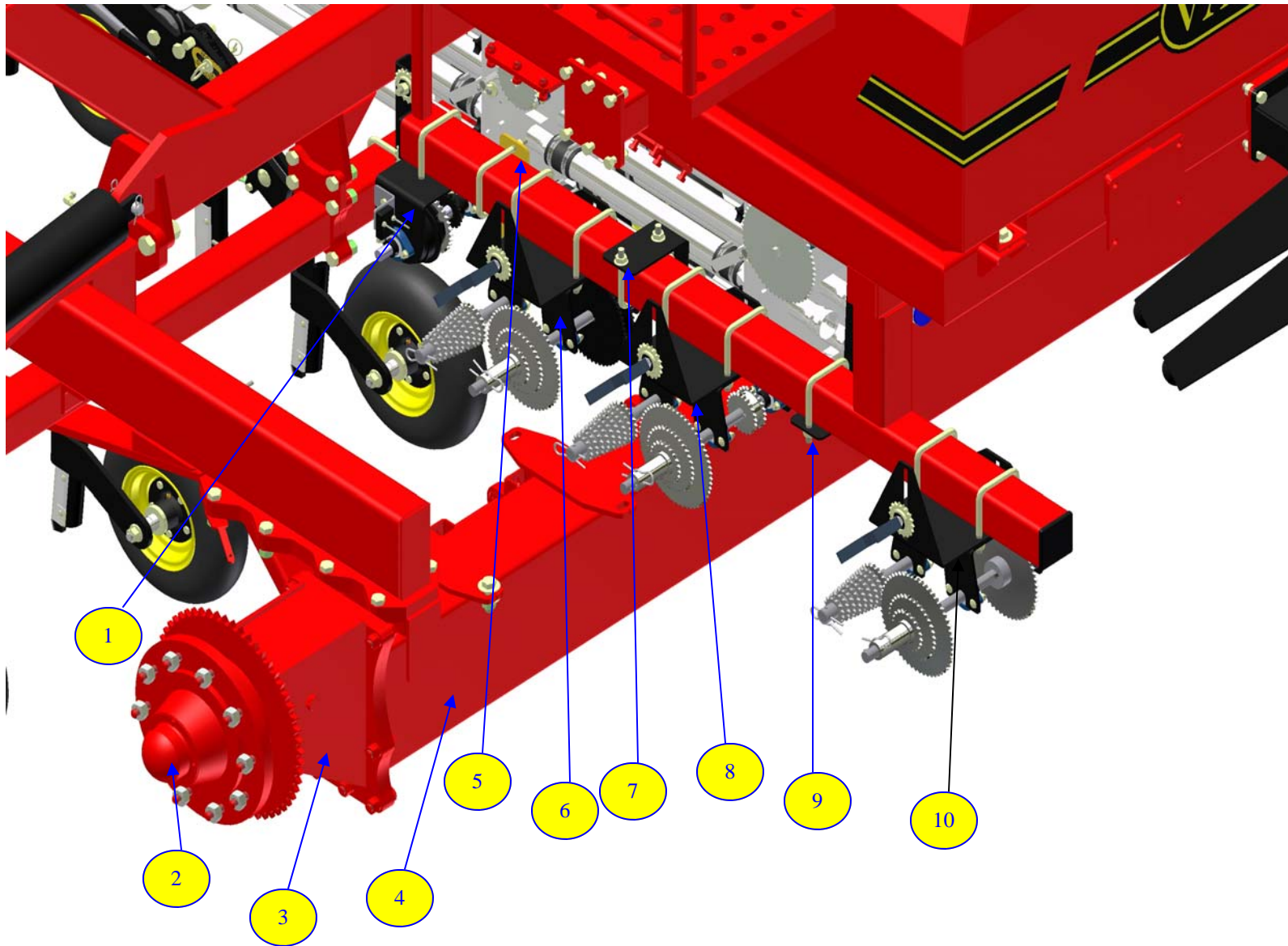
Item #	Part #	Description	Section
1	313294	REM FAN (motor, housing, shaft, bearing,) Complete fan	fan
2	313307	A-2-1/2 Tubing caps for 2.5" tube	Used on 6 run meters.
3	313289	#44 All stainless hose clamp	
4	312574	Brand 2 spool valve (fill auger block)	Fill auger

SH 1220-12 STAINLESS STEEL METERS



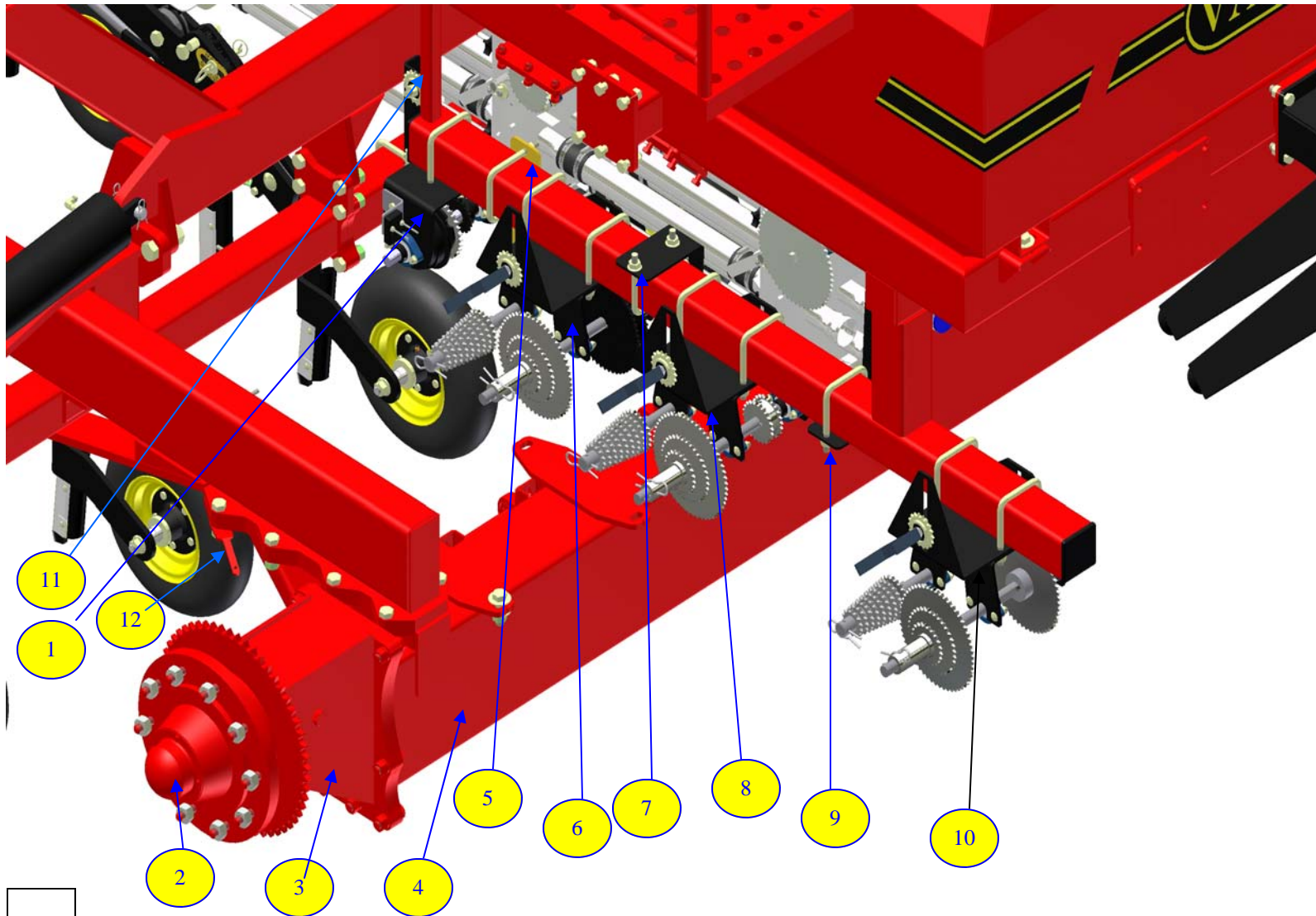
No.	Part #	Description	Length	Width	Section
1	311885	Complete Meter			Meter
2	310644	2-1/2" water discharge hose	3 inches	2-1/2" O.D	
3	310576	2-1/2 x 16 gauge stainless t304 ERW tubing	Varies	2-1/2"	
4	310576	2-1/2 x 16 gauge stainless t304 ERW tubing	Varies	2-1/2"	
5	313289	#44 All stainless hose clamp	59mm-82mm		
6	310576	2-1/2 x 16 gauge stainless t304 ERW tubing	Varies	2-1/2" O.D	
7	310576	2-1/2 x 16 gauge stainless t304 ERW tubing	Varies	2-1/2" O.D	

SH 1220-12 GEARBOX,REAR AXLE



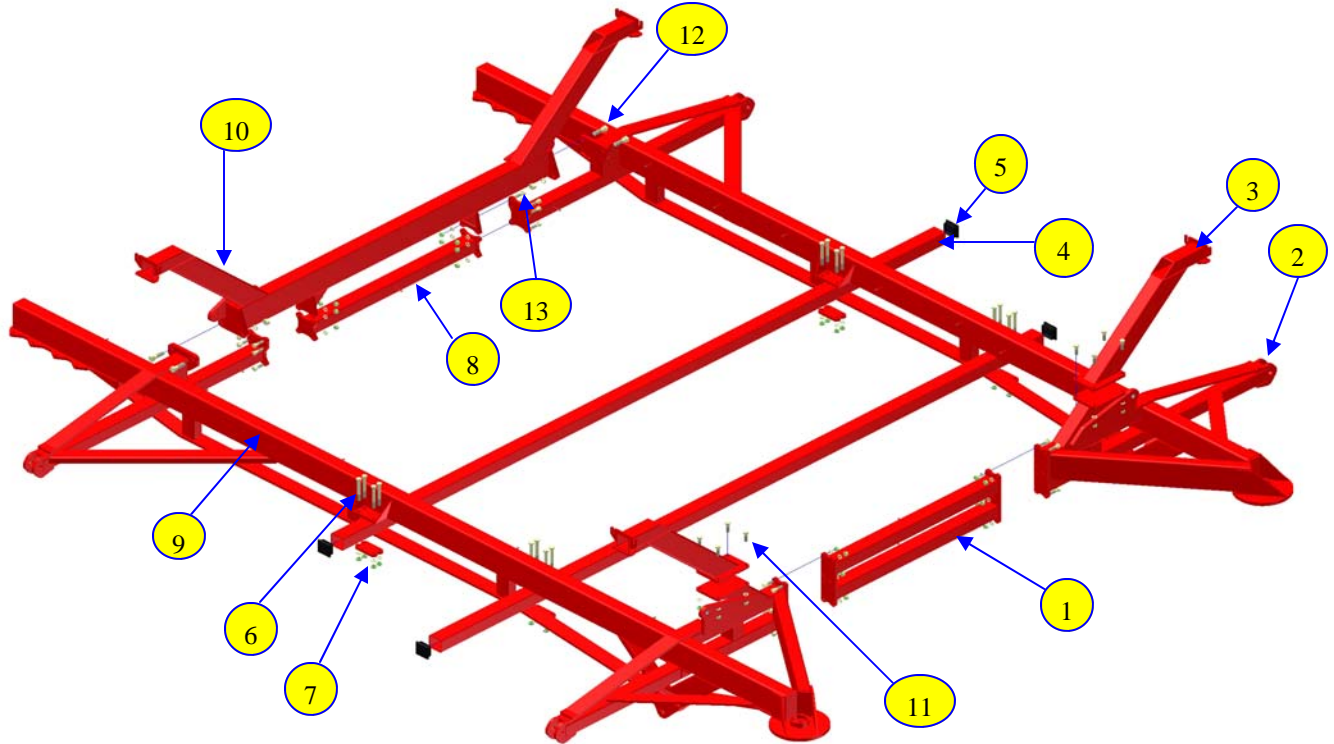
NO.	Part #	Description	Sub section
1		Clutch assembly	Gear box
2		Rear axle hub & spindle	Hubs
3		Rear axle spindle assembly	Rear axle
4		Common section rear axle	Rear axle
5		Clutch tightener	Gear box
6		Front gear box	Gear box
7		Front gear box tightener	Gear box
8		Middle tank gear box	Gear box
9		Middle tank tightener	Gear box
10		Back gear box	Gear box

SH 1220-12 GEARBOX,REAR AXLE



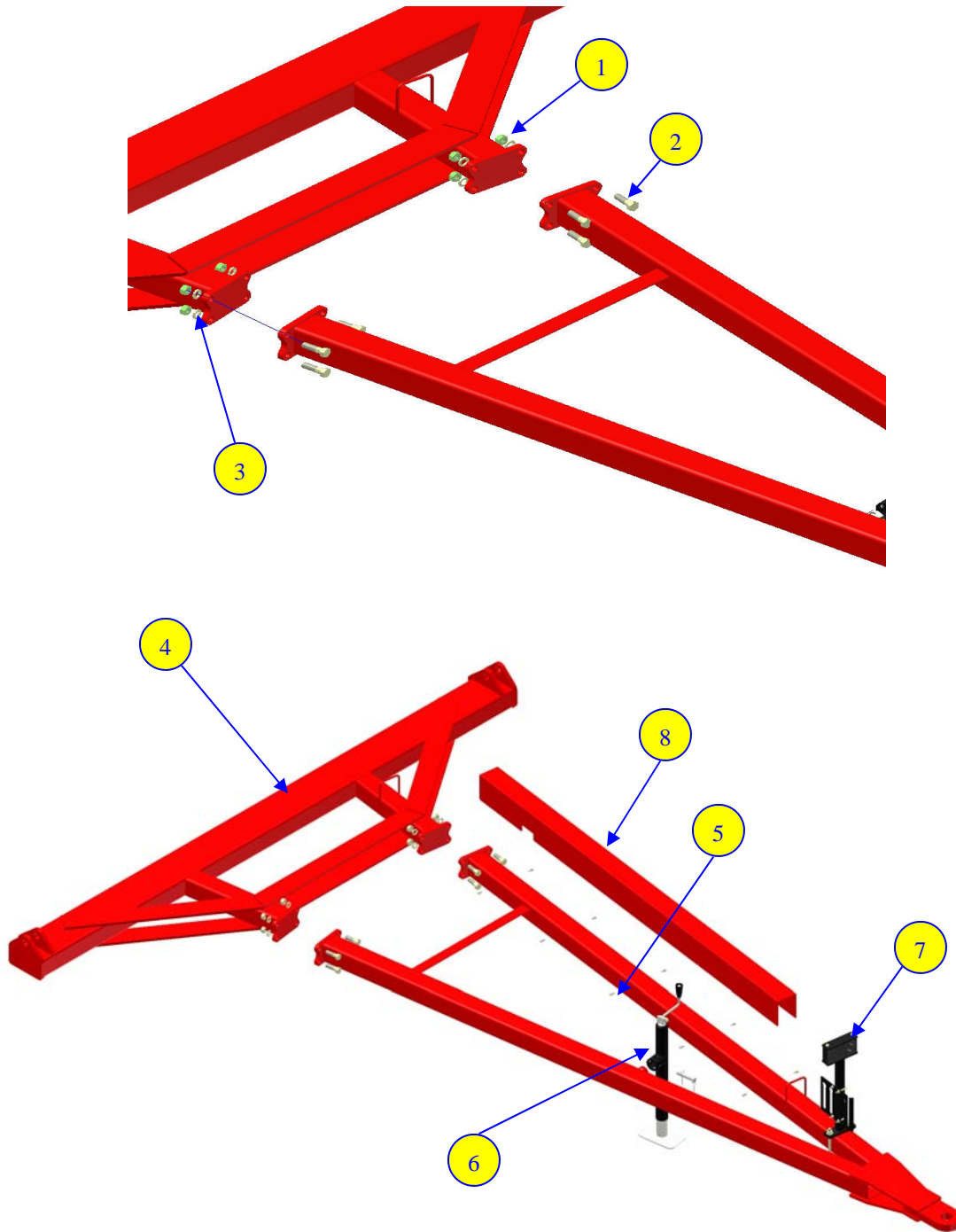
NO.	Part #	Description	Sub section
1		clutch assembly	Gear box
2		Rear axle hub & spindle	Hubs
3		Rear axle spindle assembly	Rear axle
4		Common section rear axle	Rear axle
5		Ground drive tightener	Gear box
6		small tank gearbox (on-board) (Front gear box)	Gear box
7		Front gear box tightener	Gear box
8		medium tank gearbox (on-board) (Middle tank gear box)	Gear box
9		Middle tank tightener	Gear box
10		large tank gearbox (on-board) (Back gear box)	Gear box
11		Clutch tightener	Gear box
12		Transport clip for ground drive	Rear axle

SH-1220-12
STANDARD BOLT TOGETHER MAIN FRAME
(COMPONENTS & BOLTS)



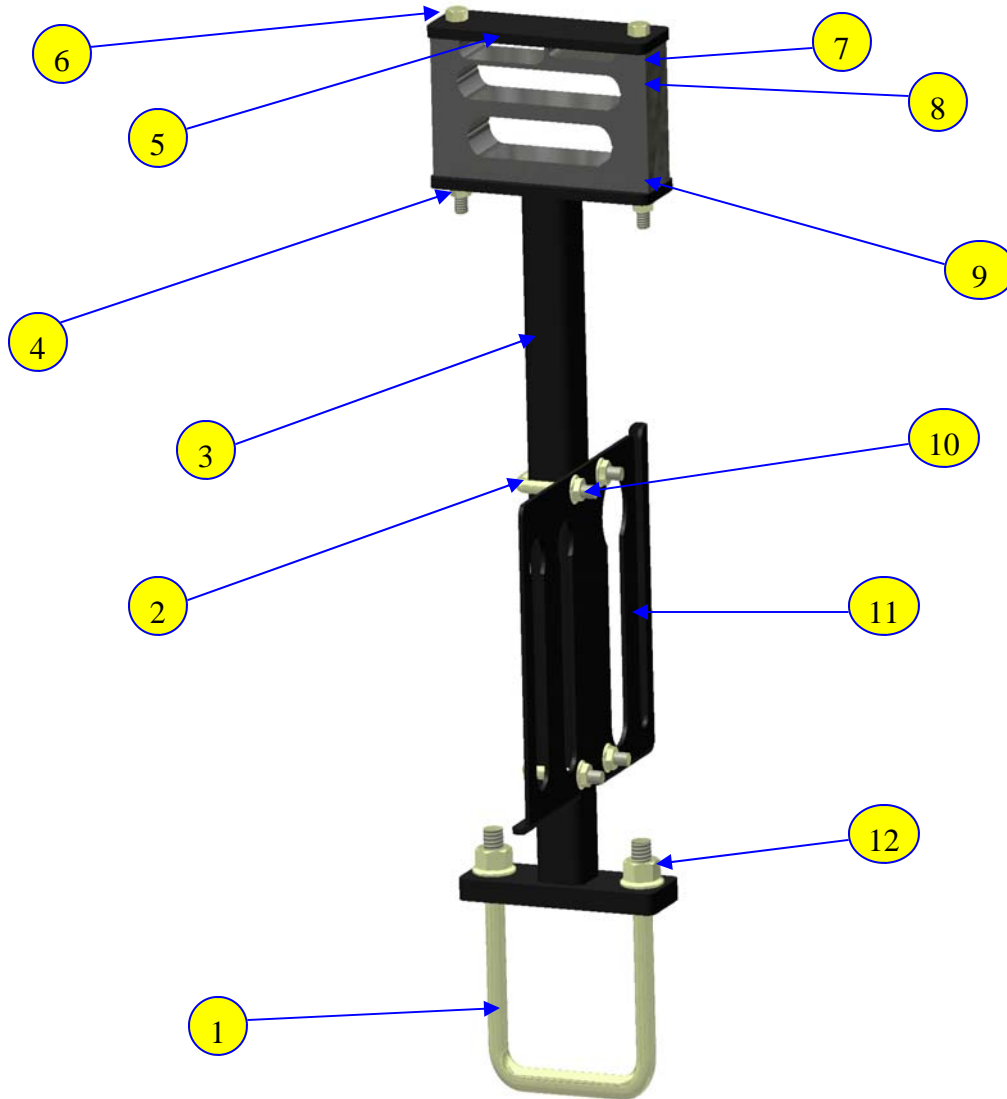
Item #	Qty	Part #	Description	Dimensions	Notes
1	1	313505	Bolted Std MF front wing stop Mid		
2	1	313510	Bolted Std full main rail assembly left		
3	1	313507	Bolt on STD MF wing stop		
4	2	310538	2nd rank wide MF(4 x 4 x 0.25 HSS)	193.75 inches long	Steel
5	4	310735	4 x 4 end cap		
6	16	311002	.75 x 6.5 NC (hex) GR 8 bolt	.75x6.5	
7	50	311065	.75 NC hex nut	.75	
	50	310227	.75 lock washer	.75	
8	1	313506	Bolted wide MF rear wing stop mid B		
9	1	313509	Bolted Std full main rail assembly right		
10	1	313508	STD MF Rear bolt on wing stop		
11	34	310339	.75 x 2.5 NC (hex) Gr 8	.75 x 2.5 inch	
12	4	310020	1 x 3.5 NC (hex) GR 8	1 x 3.5	
13	4	311072	1 '' NC (hex nut)	1 inch	
	4	311124	1'' lock washer	1 inch	

SH 1220-12 FRONT HITCH



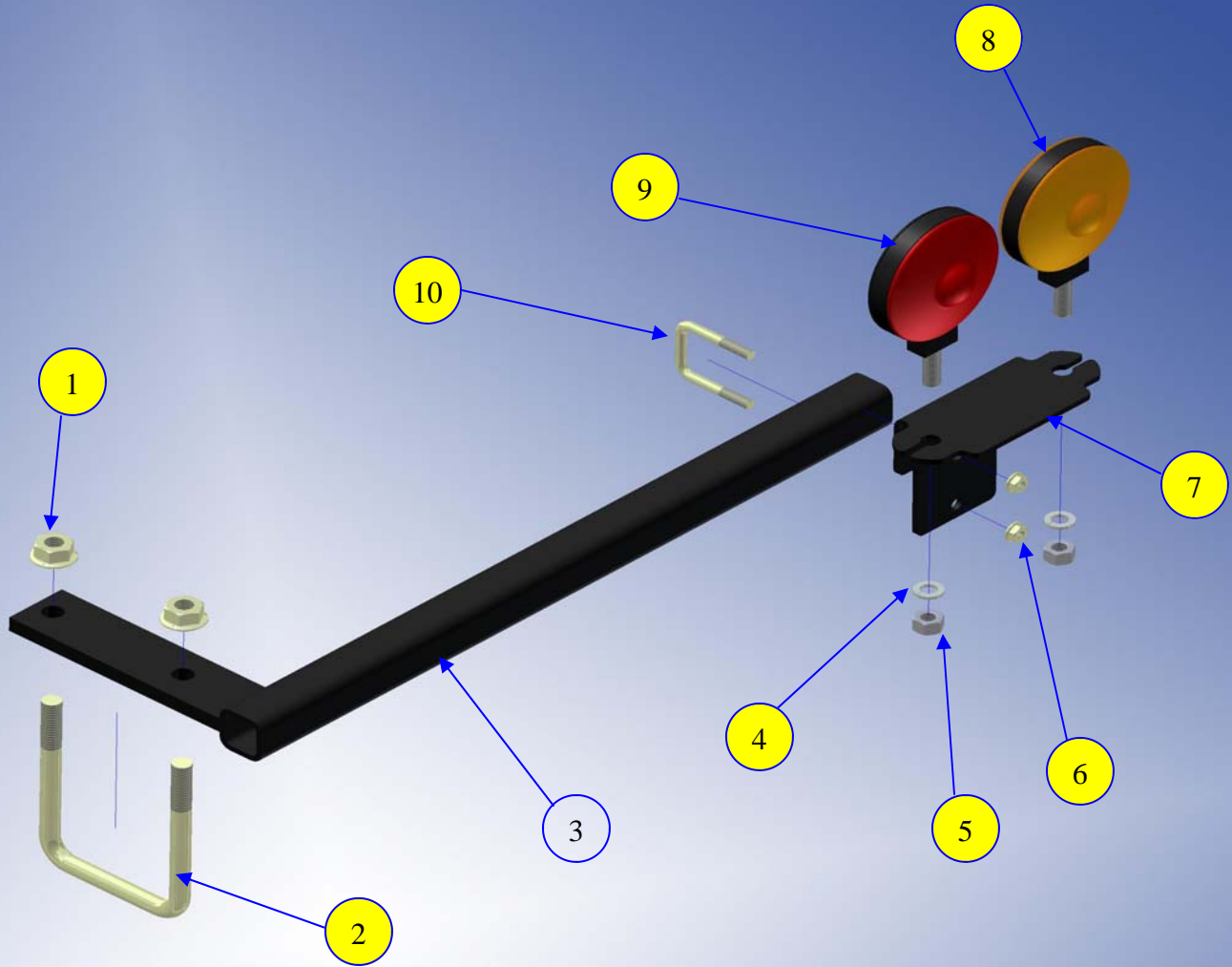
Item #	Qty	Part #	Description	Width	Length	Notes
1	4	310226	3/4 NC Gr5 YZ (Hex Nut)	3/4 inch		
2	4	310218	3/4 x 2-3/4 NC Gr5 YZ HH	3/4 inch	2 3/4 inch	
3	4	310227	3/4 YZ (Lock Washer)	3/4 inch		
4	1	312427	Bolted front hitch 1			NO fasteners
5	1	312426	Bolted hitch rail 1 (310538)			No fasteners
6	1	312300	jack and mount			Jack and welded on collar
7	1	311843	Hose holder assembly			Has exploded picture
8	1	311893	Hitch hose guard			

HITCH HOSE HOLDER



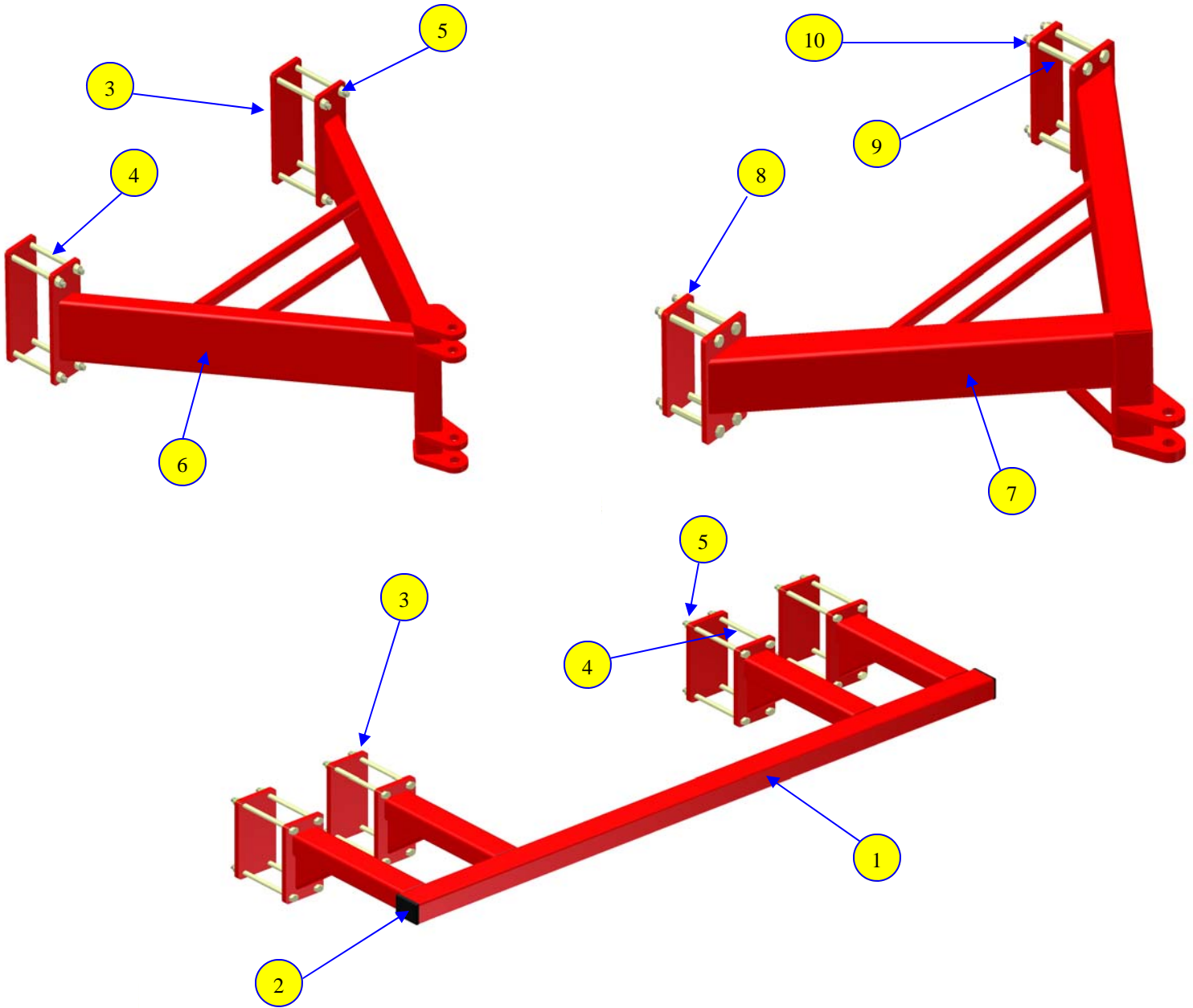
Item #	Qty	Part #	Description	Dimensions	Notes
1	1	311175	5/8 x 4-1/16 x 5-1/2 NC Gr5 YZ (square U-bolt)		
2	2	311177	5/16 x 1.563 x 2-1/4 NC Gr5 YZ (square U-bolt)		
3	1	311848	Hose holder pipe	1.5x1.5x.188x16 " long	Square tubing
4	2	311176	3/8 NC Gr2 YZ (hex nut)	3/8 inch	
5	1	311849	Hose holder Top and bottom plates		
6	2	310271	3/8 x 4-1/2 NC Gr5 HH YZ	3/8 x 4-1/2	
7	1	311853	Hose holder plastic UHMW 3		
8	1	311852	Hose holder plastic UHMW 2		
9	1	311851	Hose holder UHMW bottom		
10	4	311036	5/16 NC Gr5 YZ (hex serrated flange nut)	5/16 inch	
11	1	311854	Hydraulic hose clip		
12	2	311055	5/8 NC Gr5 YZ (hex serrated flange nut)	5/8 inch	
13	1	311843	Complete hose holder		Everything shown in picture

SH 1220-12 LIGHT MOUNT



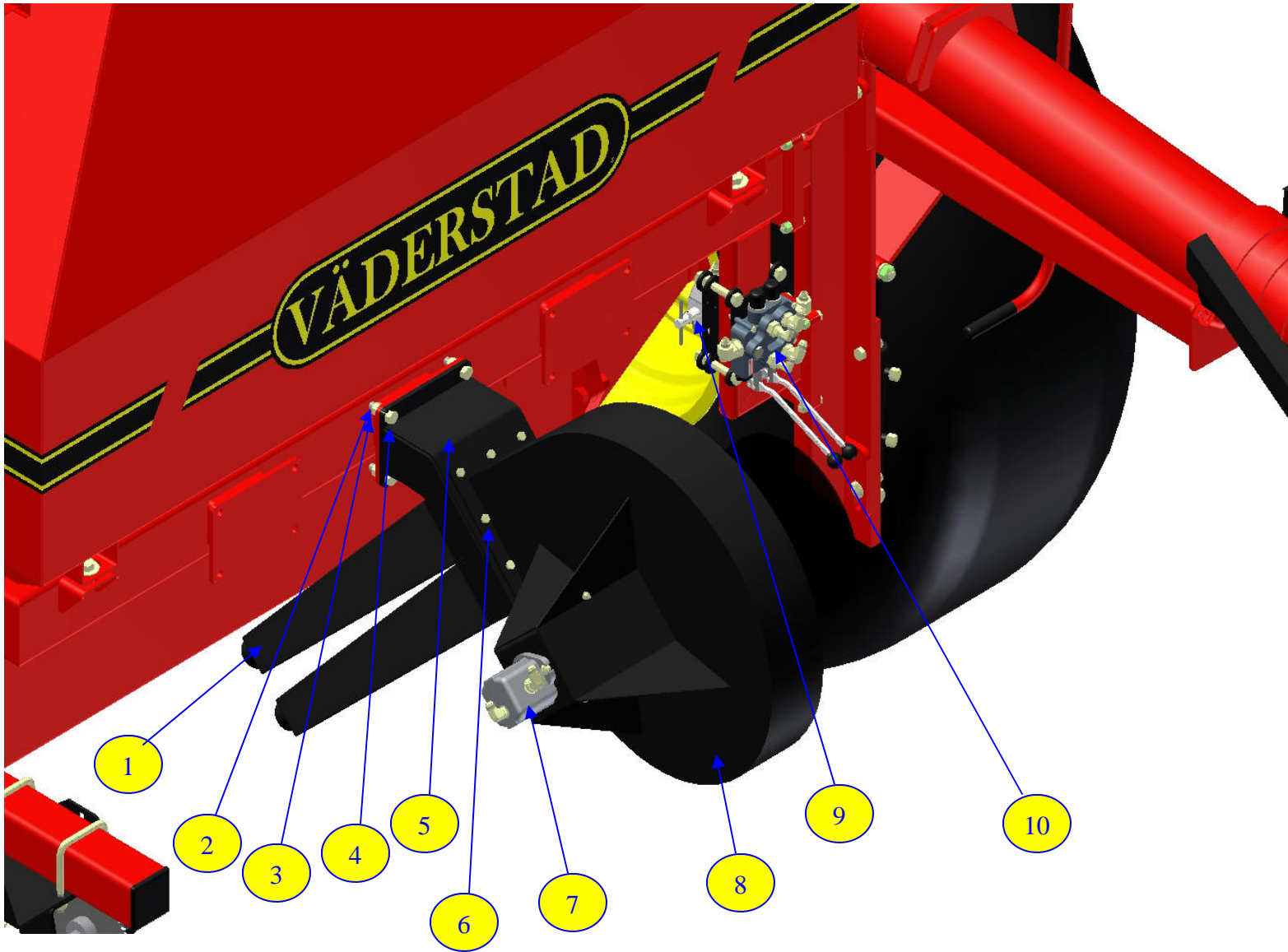
Item #	Qty	Part #	Description	Dimensions	Notes
1	2	311055	5/8 NC Gr5 YZ (Hex serrated Flange Nut)	5/8"	
2	1	311091	5/8 x 4 x 5-1/2 NC Gr5 YZ (Square U-bolt)	5/8" x 4" x 5 1/2"	
3	1				
4	2		Comes with red and amber light.		
5	2		Comes with red and amber light.		
6	2	311037	5/16 NC Stainless (Hex serrated Flange Nut)	5/16"	
7	1	312834	Light mount 11C18-1		
8	1	312833	Amber lights(56030)		
9	1	312832	Red lights(56052)		
10	1	311177	5/16 x 1.563 x 2-1/4 NC Gr5 YZ (Square U-bolt)	5/16" x 2 1/4"	

SH-1220 & SH-1830 COMPLETE REAR HITCHES



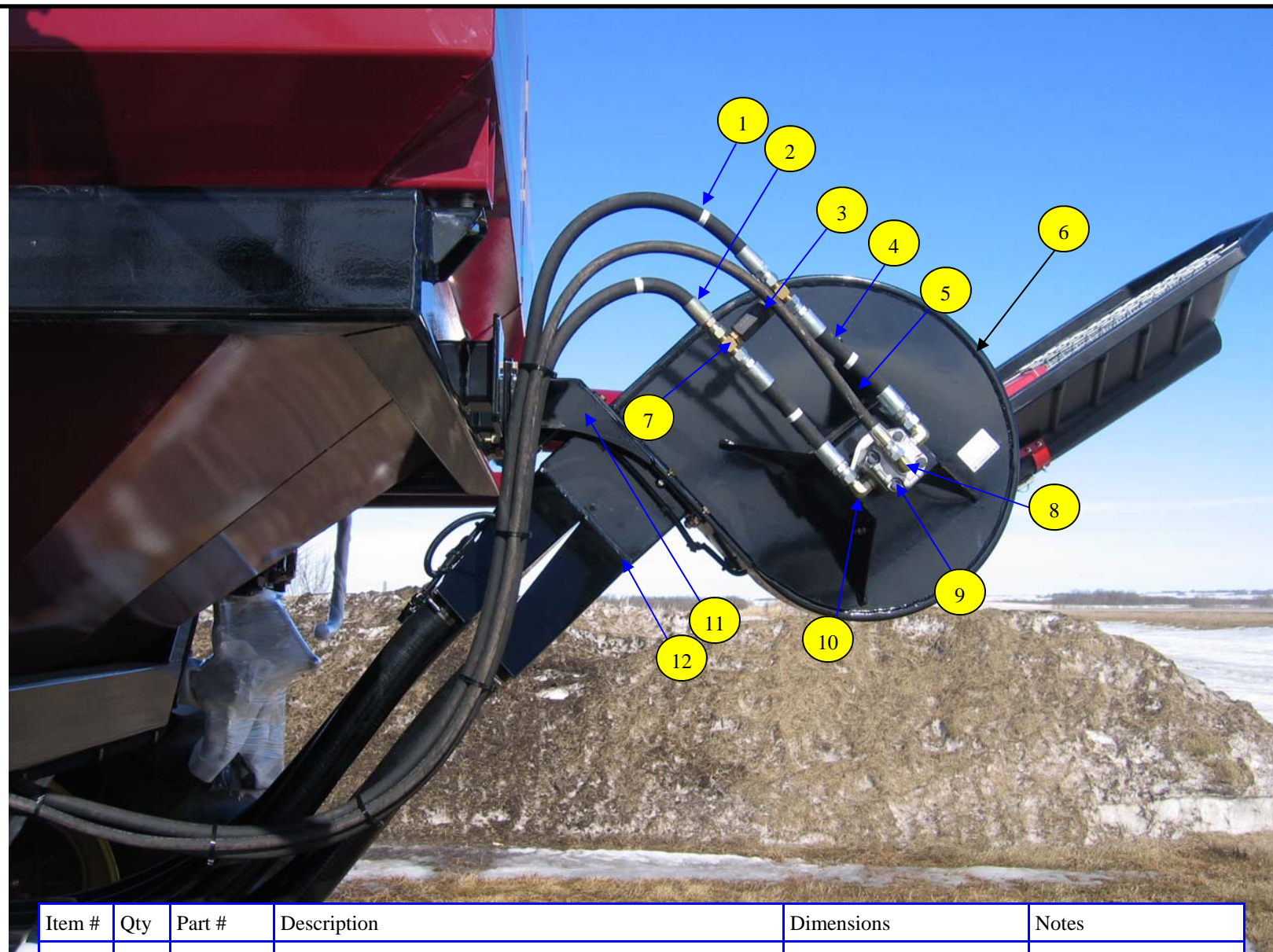
Item #	Qty	Part #	Description	Dimensions	Notes
1	1	311881	4x4 Rail hitch (12x8 axle)		Complete hitch with plates and fasteners.
2	2	310735	4x4 end cap		
3	4	311860	12x8 axle V hitch plate 3		Steel
4	16	311014	3/4 x 11 NC Gr8 HH YZ	3/4" x 11"	Fasteners
5	16	311066	3/4 NC Gr2 YZ (Hex Nut)	3/4"	Also 16 of # 310227
6	1	311855	12 x 8 axle bolt-on V hitch		Complete hitch with plates and fasteners.
7	1	311871	Heavy clevis hitch assy (267 & 600)		Complete hitch with plates and fasteners.
8	2	311876	600 tool hitch plate 6		Steel
9	8	311027	1 x 12 NC Gr8 HH YZ	1" x 12"	Fasteners
10	8	311072	1 NC Gr5 YZ (Hex Nut)	1"	Also 8 of # 311124

SH 1220-12 OVERVIEW OF FAN



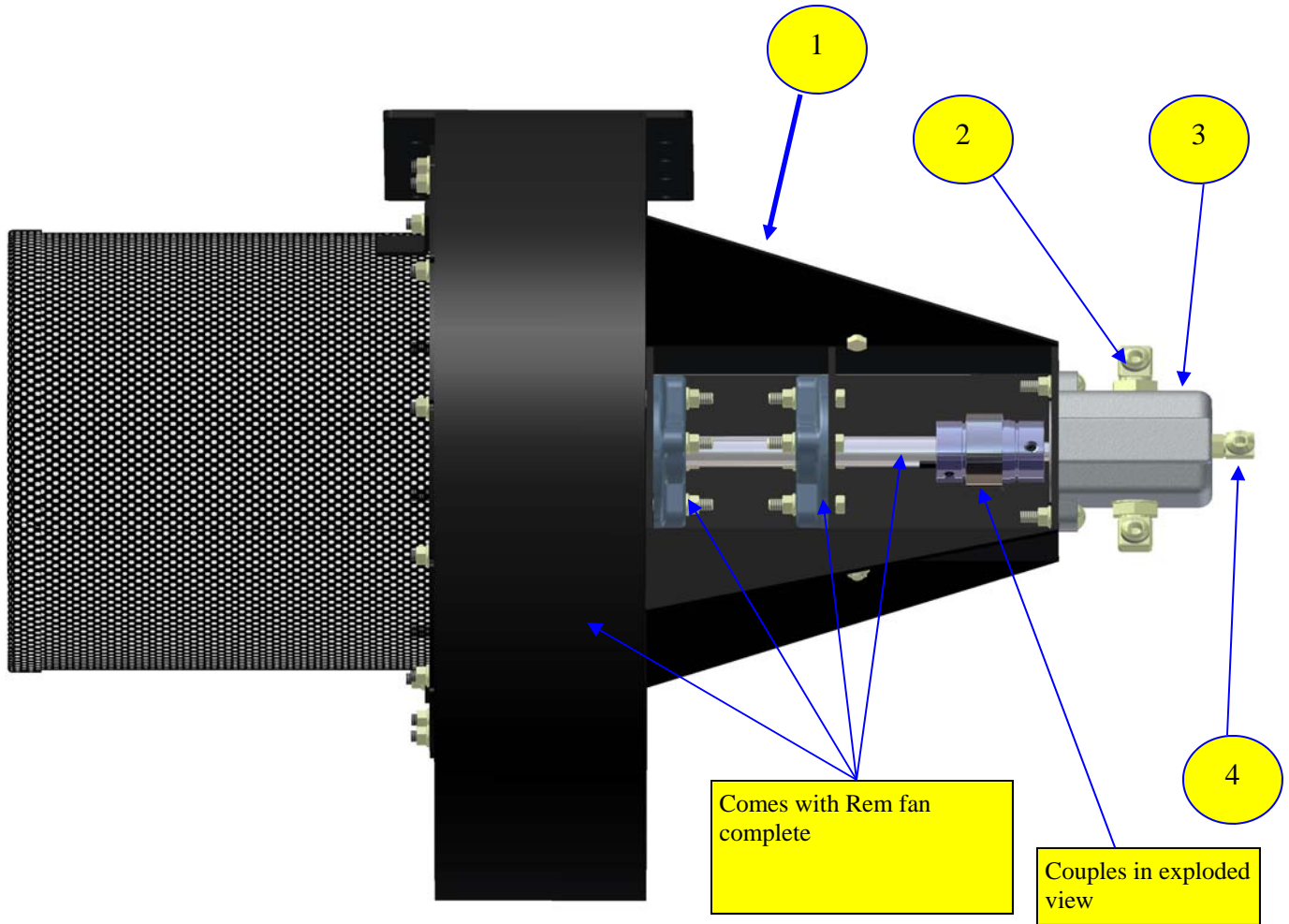
No.	Qty	Part #	Description	Dimensions	Notes
1	1	313607	397 air splitter single fan complete		Fan
2	4	310319	5/8 x 2 NC Gr5 HH YZ	5/8 inch	
3	4	311112	5/8 lock washer Gr2 YZ	5/8 inch	
4	4	311062	5/8 NC Gr5 YZ (Hex Nut)	5/8 inch	
5	1	313606	397 fan mount(2007)		Fan
6	8	310282	7/16 x 1-1/4 NC Gr5 HH YZ	7/16 inch	
7	1	312566	Sauer gear motor (Rem fan)		Fan
8	1	313294	REM FAN (motor, housing, shaft, bearing,)		Fan
9	1	312584	Prince manual selector valve - 3/4" NPT ports		Hydraulics
10	1	312574	Brand 2 spool valve (fill auger block)		Fill auger

SH 1220-12 FAN HYDRAULIC HOSES, MISC PARTS



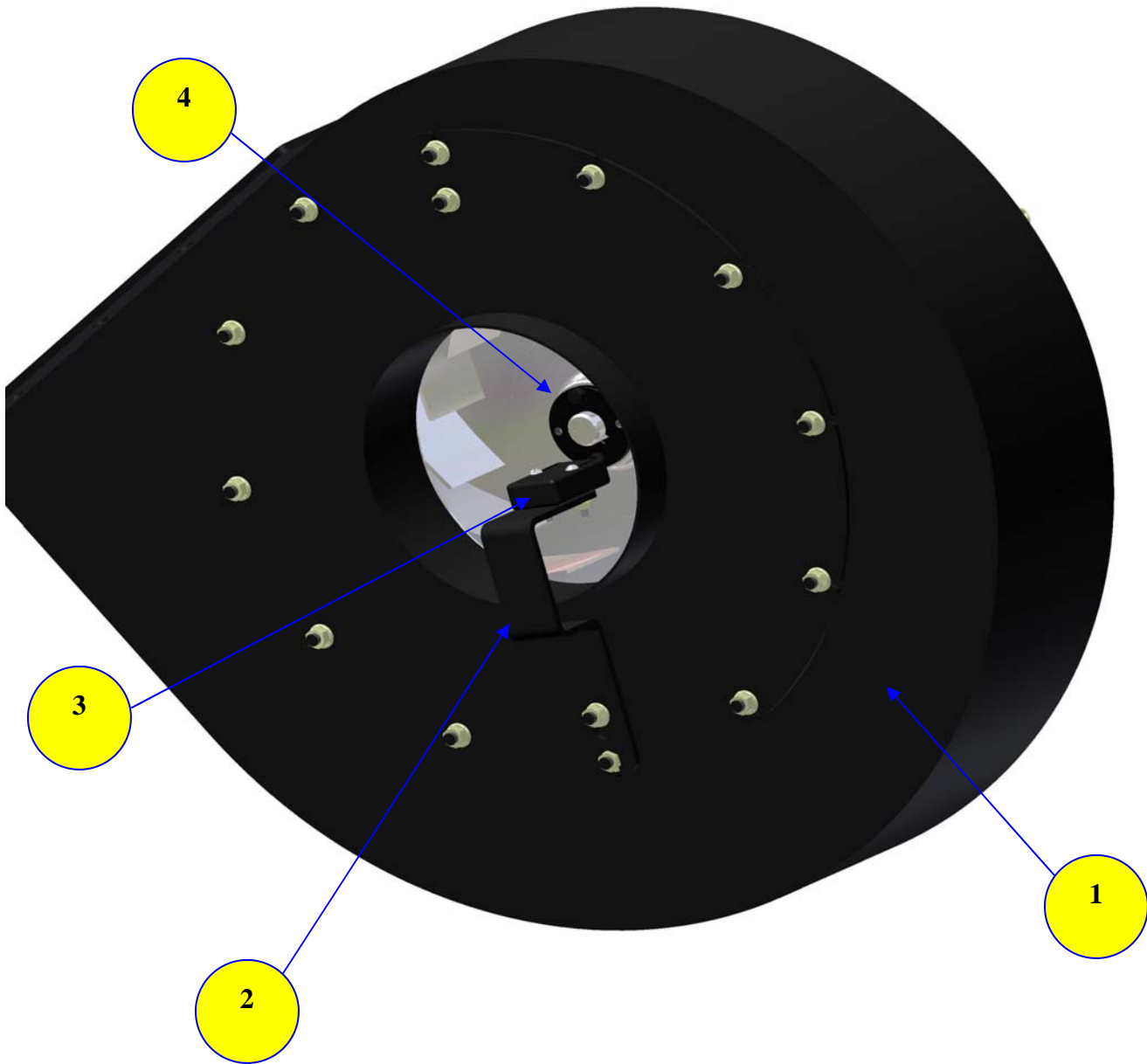
Item #	Qty	Part #	Description	Dimensions	Notes
1	1	312637	10B63-2 188" END 1-10 FJIC END 2-10FJIC (397 Diverter to fan supply) 3/4" HOSE		
2	1	312638	10B64-3 77" END 1-10 FJIC END 2-10FJIC (397 Single fan return to "T") 3/4" HOSE	3/4" hose 558" long	
3	1	312578	Fan check valve - 08 ORB		
4	2	312609	10B22-1 112" END 1--10 FJ END 2--10 FJ (Fan Loop) 3/4" HOSE	3/4" hose 112" long	
5	1	312642	10B68-3 653" END 1-08 MORB END 2-08FJIC (397 Fan dump to front hitch) 1/2" HOSE	1/2" hose 653" long	
6	1	313294	REM FAN (motor, housing, shaft, bearing,)		
7	2	312548	6801-1010 Steel 5/8 M JIC x 5/8 M ORB 90	5/8" M JIC x 5/8" ORB	
8	1	312544	6801-0608 Steel 3/8 M JIC x 1/2 M ORB 90	3/8" M JIC x 1/2 M ORB	
9	1	312566	Sauer gear motor (Rem fan)		
10	2	312548	6801-1010 Steel 5/8 M JIC x 5/8 M ORB 90	5/8" M JIC x 5/8" M ORB	
11	1	313606	397 fan mount(2007)		
12	1	313607	397 air splitter single fan complete		

SH 1220-12 REM FAN



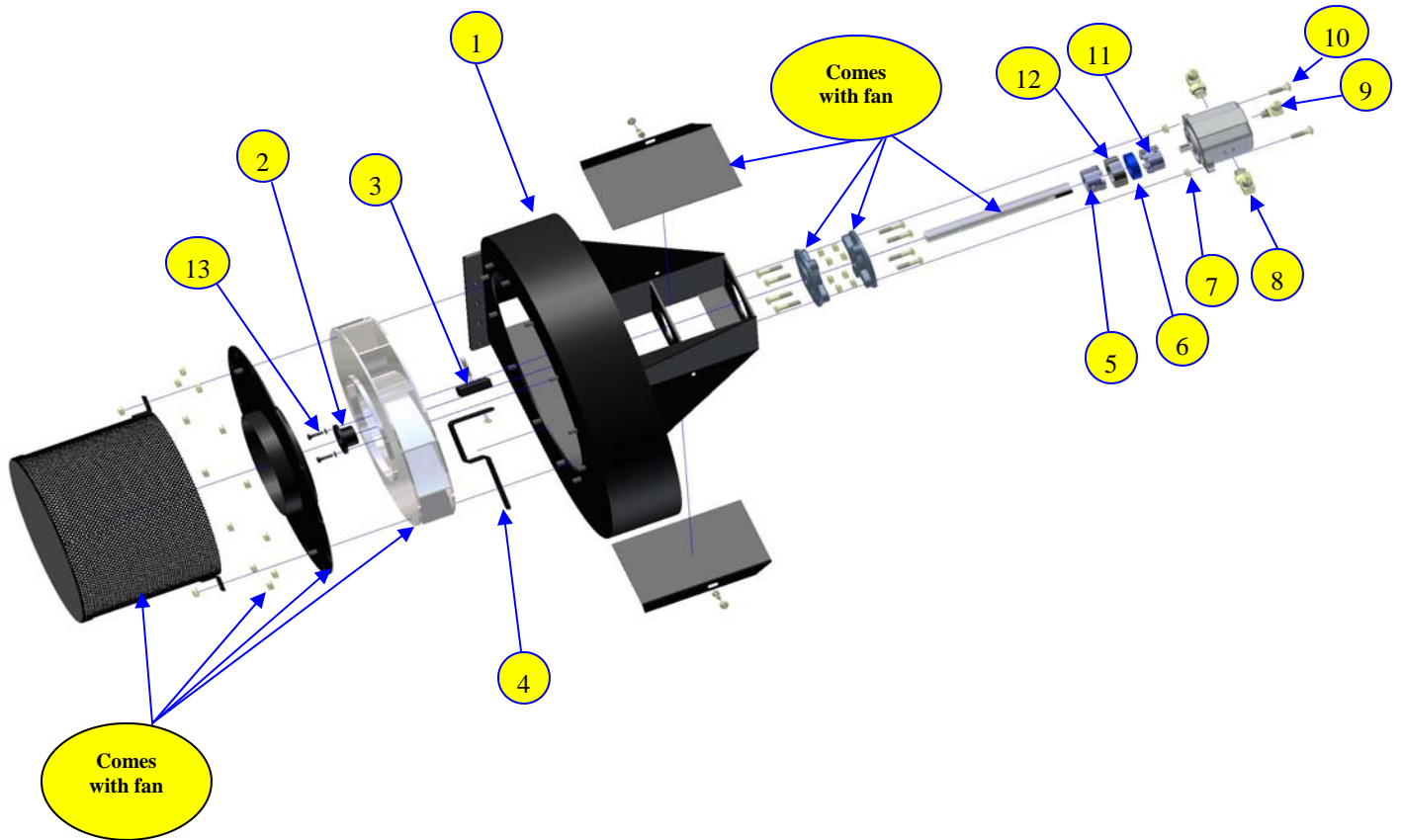
Item #	Qty	Part #	Description	Dimension	Notes
1	1	313294	REM FAN (motor, housing, shaft, bearing,)		
2	2	312548	6801-1010 Steel 5/8 M JIC x 5/8 M ORB 90		
3	1	312566	Sauer gear motor (Rem fan)		
4	1	312544	6801-0608 Steel 3/8 M JIC x 1/2 M ORB 90		

SH 1220-12 REM FAN



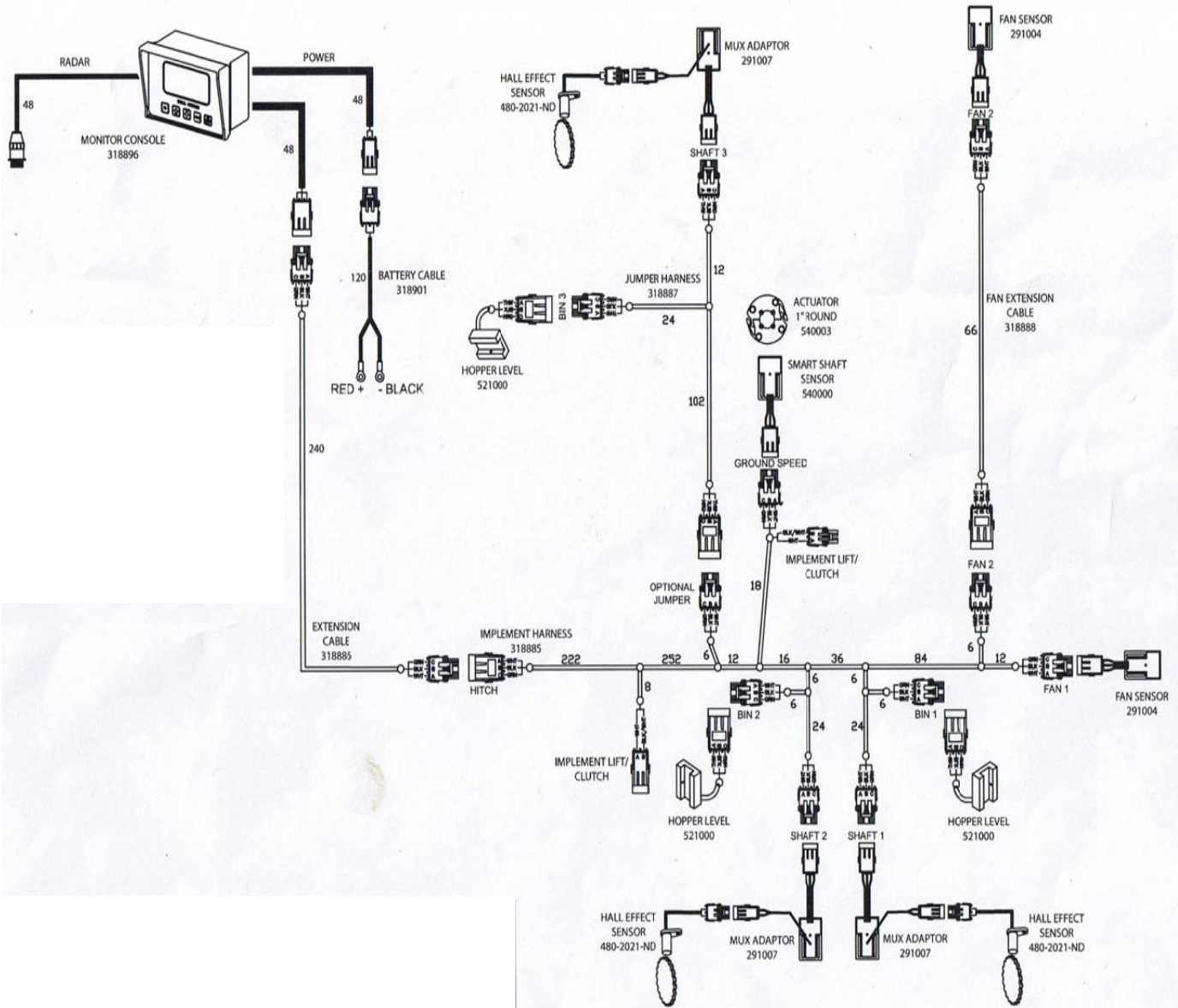
Item #	Qty	Part #	Description	Dimension	Notes
1	1	313294	REM FAN (motor, housing, shaft, bearing,)		
2	1	313609	Loup fan sensor mount		
3	1	313438	Loup fan sensor(06) #291004		
4	1	313216	Fan bushing bent axis Maska 7/8"		

SH 1220-12 REM FAN



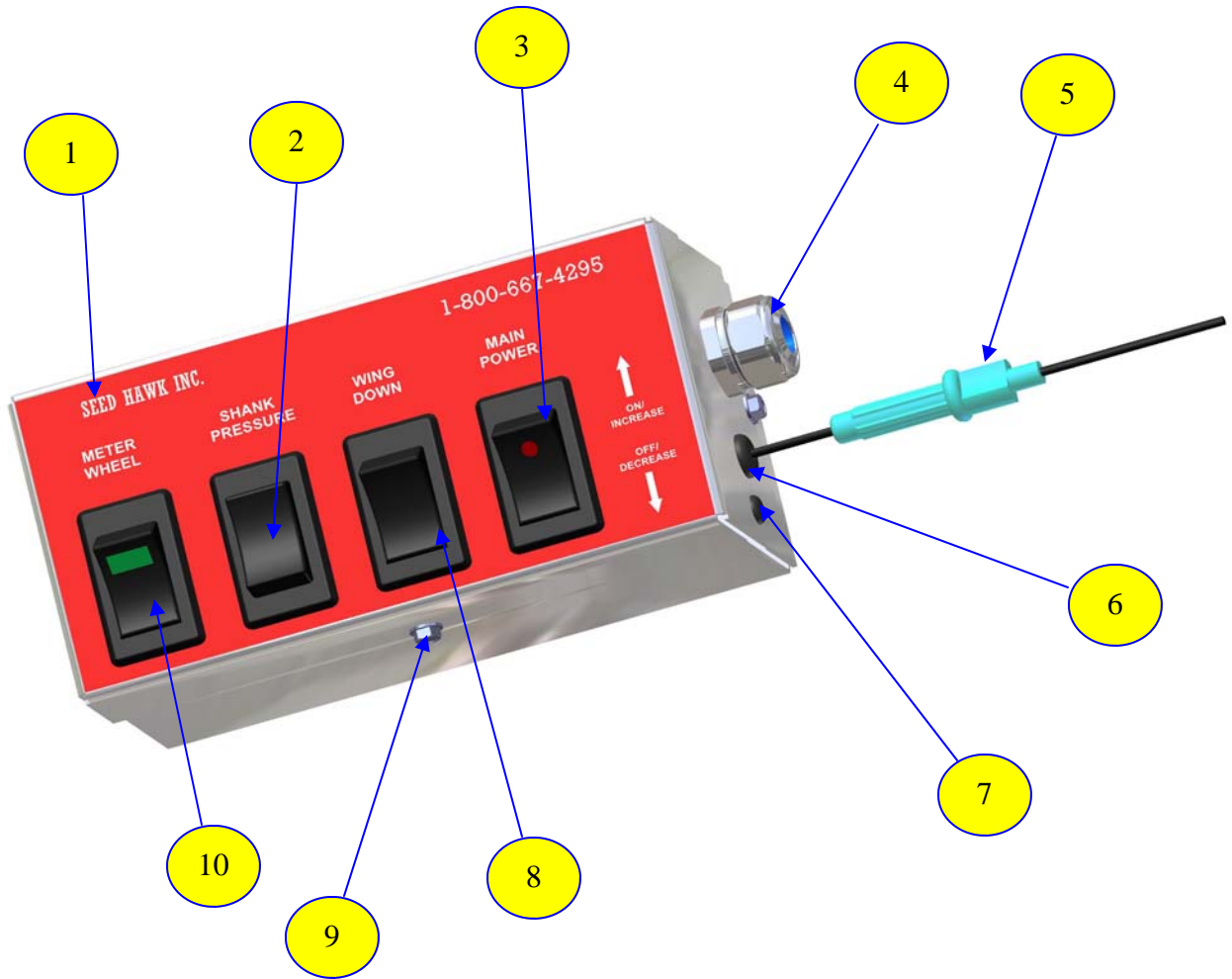
Item #	Qty	Part #	Description	Dimensions	Notes
1	1	313294	REM FAN (motor, housing, shaft, bearing,)		
2	1	313216	Fan bushing bent axis Maska 7/8"		
3	1	313438	Loup fan sensor(06) #291004		
4	1	313609	Loup fan sensor mount		
5	1	313290	1" flex coupler half -fan motor	1"	
6	1	313293	Blue insert - REM fan motor		
7	2	310203	3/8 NC Gr5 YZ (Hex serrated Flange Nut)		
8	2	312548	6801-1010 Steel 5/8 M JIC x 5/8 M ORB 90		
9	1	312544	6801-0608 Steel 3/8 M JIC x 1/2 M ORB 90		
10	2	310259	3/8 x 1-1/2 NC Gr5 YZ (Carriage Head)	3/8" x 1 1/2"	
11	1	313291	5/8" Flex coupler half -fan motor	5/8"	
12	1	313292	Stainless steel cover-REM fan motor		
13	2		1/4" x 3/4" GR.5 bolt	1/4" x 3/4"	Comes with #313216

SH 1220-12 COMPLETE LOUP MONITOR KIT



Qty	Seed Hawk Part #	Drawing part #	Description	Notes
1	313804	318915-03	COMPLETE LOUP MONITOR KIT(267,397,600)	Everything in picture/except gears
1	313443	318896	Drill Monitor Console	
1	313445	318901	Battery Cable	
1	313446	318885	Implement Harness	
1	313447	318886	Extension Cable	
1	313448	318887	Jumper Cable	
1	313449	318888	Fan extension cable	
2	313438	291004	Fan sensor	
3	313444	291007	Mux adapter hall effect	
3	313439	480-2021-ND	Hall effect sensor	
3	313440	521000	Hopper Level sensors	
1	313442	540000	Smart shaft sensor	
1	313441	540003	1" round actuator	

SH 1220-12 SEED HAWK ELECTRICAL BOX



Item #	Qty	Part #	Description	Dimensions	Notes
1	1	312956	Seed Hawk 4-button electrical box		
2	1	312753	58027-11 Shank pressure switch (MOM. ON-OFF-MOM.ON)		
3	1	312752	58327-01 Main power switch (ON-OFF SPST red light)		
4	1	312787	1/2" blue strain relief 6 wire cable.		
5	1	312763	In line fuse holder w/fuse - 20 AMP		
6	1	312766	Buna S Grommet 1/8" ID x 3/8" Panel - 1/2" OD(24503)		
7	1	312768	Buna S Grommet 1/8" ID x 1/4" Panel - 11/32" OD(24502)		
8	1	312751	58027-02 Wing down switch (OFF - MOM. ON)		
9	4	311139	#8 x 3/8 self tapping screw NC Gr2 CZ		
10	1	312754	58328-11 Meter wheel switch (ON-OFF SPST green light)		

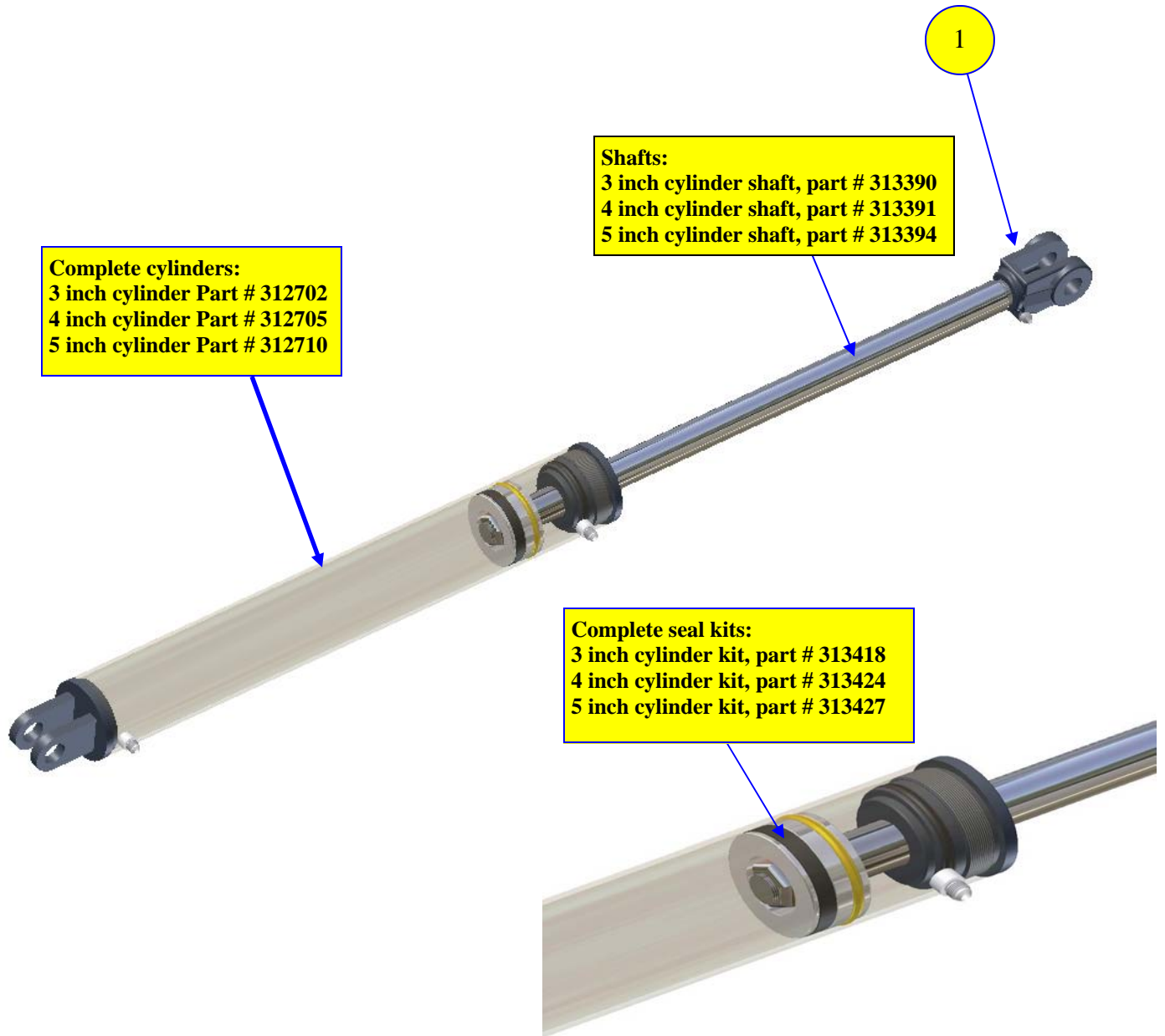
4-BUTTON LOUP ELECTRICAL BOX



1

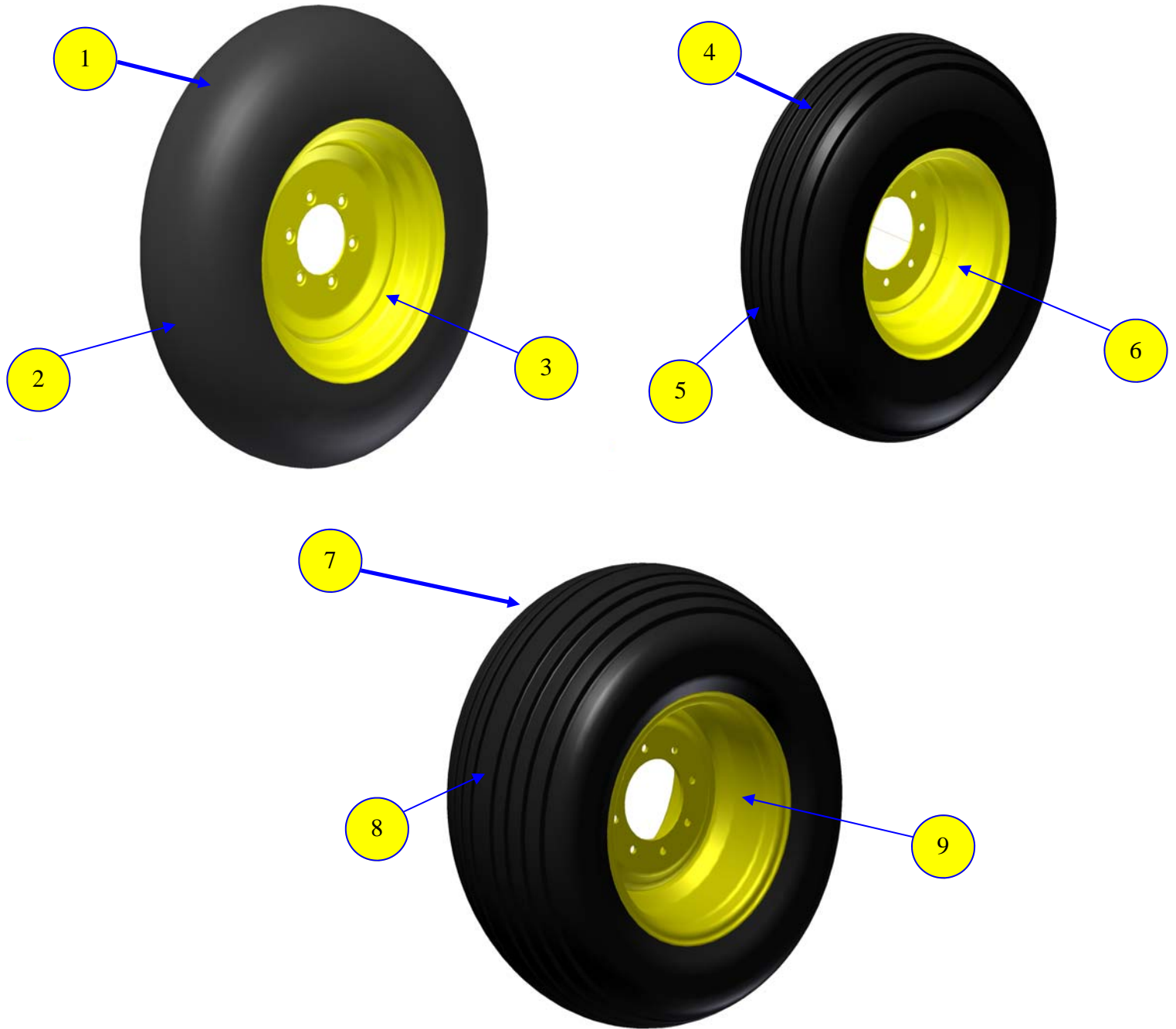
Item #	Qty	Part #	Description	Dimensions	Notes
1	1	312815	4- button loup electrical box		Comes complete

SH 1220-12 CYLINDERS



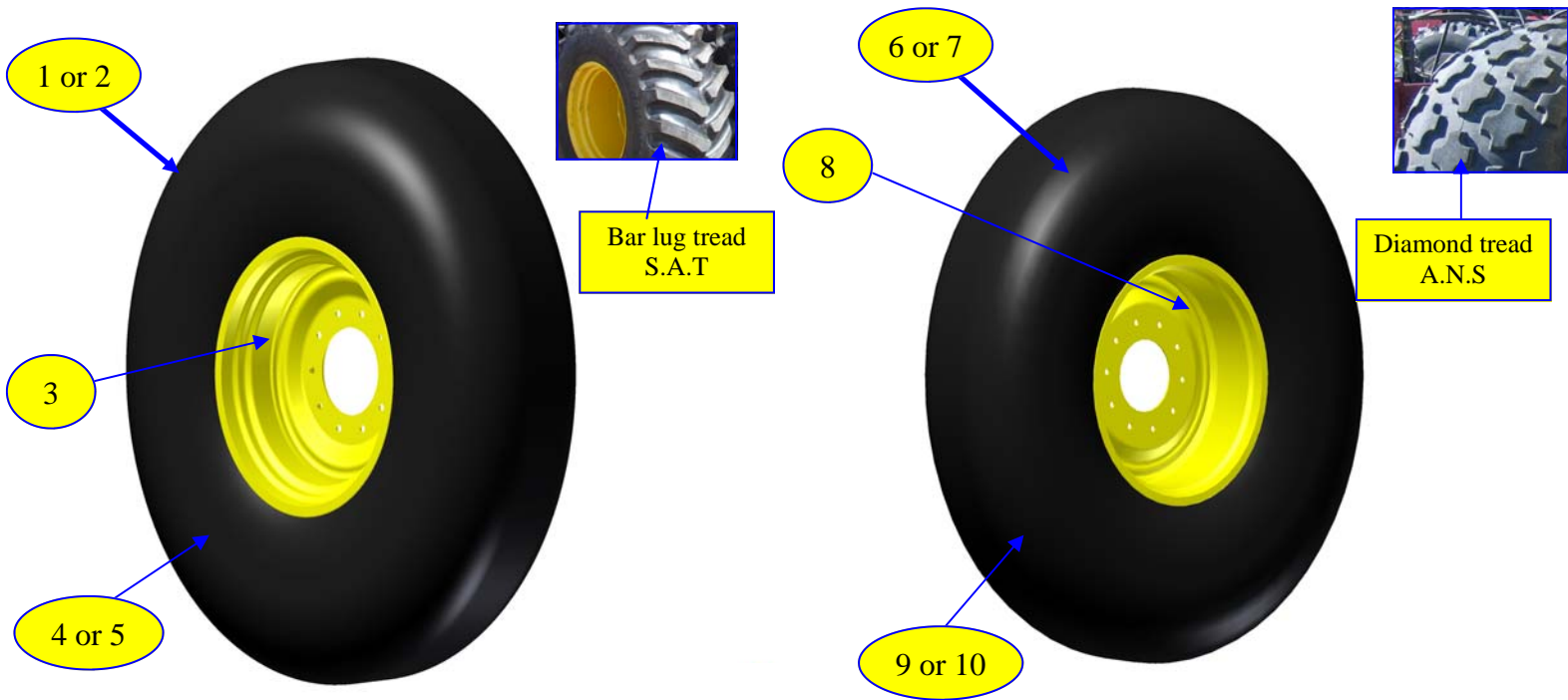
Item #	Qty	Part #	Description	Dimensions	Notes
1	1	313383	Cast clevis for 3 or 4 inch cylinders		5 inch cylinder clevis is welded on shaft

SH 1220-12 TIRES (11L, 12.5, 19.5) COMPLETE FRONT CASTOR TIRES(11L, 12.5, 19.5)



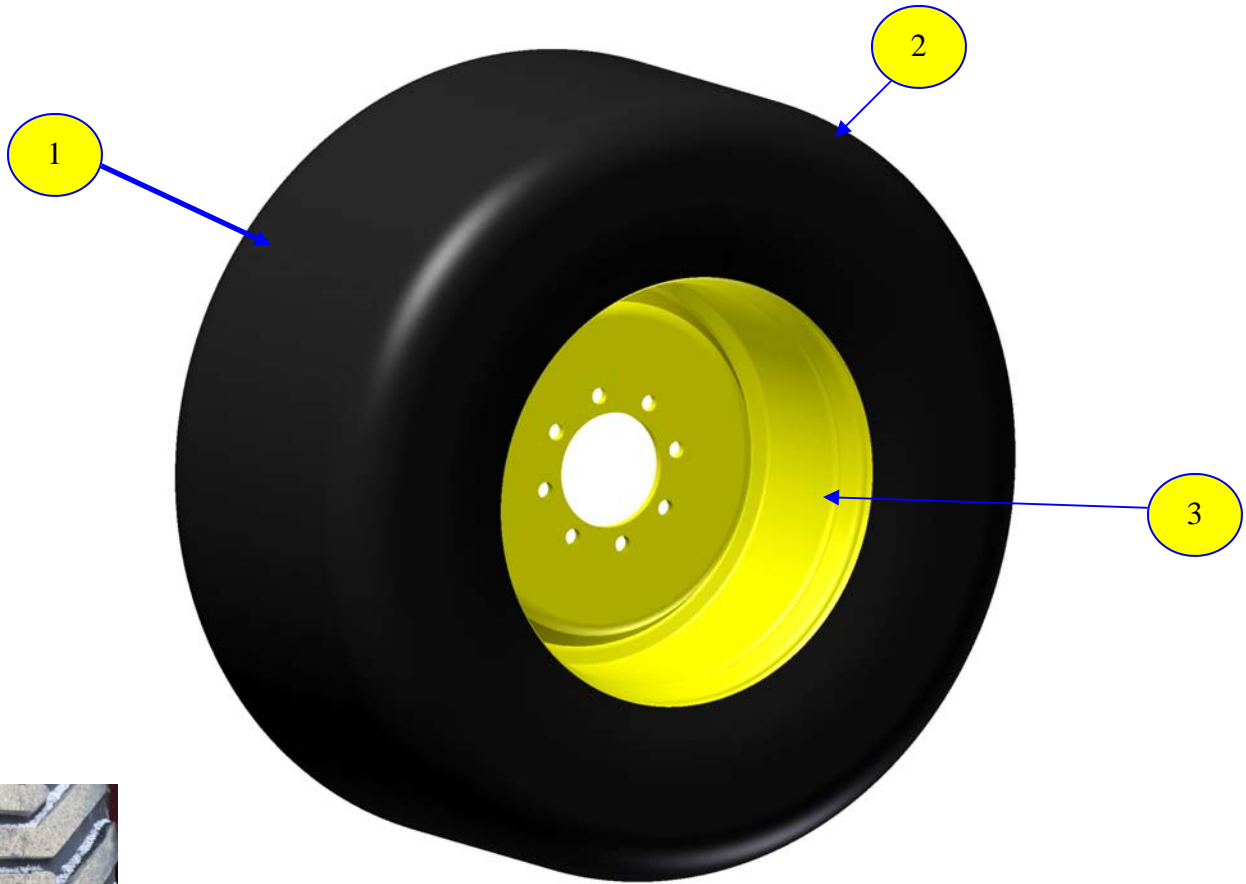
Item #	Qty	Part #	Description	Dimensions	Notes
1	1	312260	11L15SL (Carlisle) TIRE AND RIM		Complete 11L15 tire (tire, rim)
2	1	313462	11L 15 rubber only		Rubber only
3	1	313461	15*10 6-bolt Ag wheel - JD yellow		Rim only
4	1	313452	12 L/15 10 Ply on 15*10*8 wheel		Complete 12.515 tire (tire, rim)
5	1	313480	12L15 10 ply rubber only		
6	1	313455	17x16x8 rim only for fattie		12.5L rim only
7	1	313453	19/45 x 17 10 Ply on 17*16*8 wheel		Complete 19.5 tire(tire, rim)
8	1	313454	19/45 x 17 10 Ply tire only(fattie)		Tire only
9	1	313455	17x16x8 rim only for fattie		Rim fattie

SH 1220-12
30.5 AND 28L26 REAR AXLE TIRES (BAR AND DIAMOND)
COMPLETE AND INDIVIDUAL PIECES



Item #	Qty	Part #	Description	Dimensions	Notes
1	1	313466	30.5L-32 A.N.S Rubber only		Complete wheel (rim, Diamond 30.5 tire)
2	1	311740	30.5 bar lug (Firestone) SAT 23 degrees		Complete wheel (rim, Bar lug 30.5 tire)
3	1	313468	DW27x32x10 rim - JD yellow - 30.5L		Rim only
4	1	311739	30.5 diamond tread (Firestone ANS) single		30.5 tire only (diamond lug)
5		311740	30.5 bar lug (Firestone) SAT 23 degrees		30.5 tire only (bar lug)
6		311738	28L26 Alliance (Diamond Tread) ANS		Complete wheel (rim, 28 L26 diamond tire)
7		311737	28L26 Alliance (Bar Lug Tread) 750/65-R26		Complete wheel (rim, 28L26 Bar lug tire)
8		313474	25x26x10 28L26 single rim		Rim only
9		311738	28L26 Alliance (Diamond Tread) ANS		28L26 tire only (diamond lug)
10		311737	28L26 Alliance (Bar Lug Tread) 750/65-R26		28L26 tire only (Bar lug)

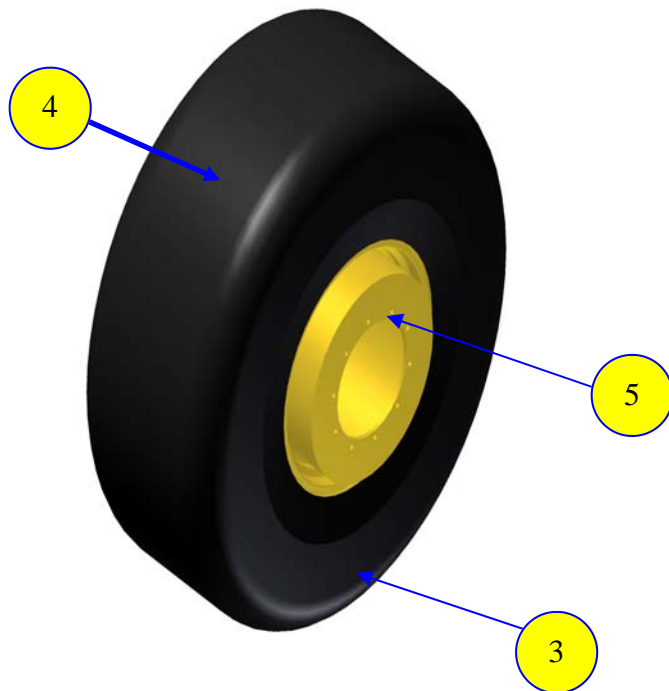
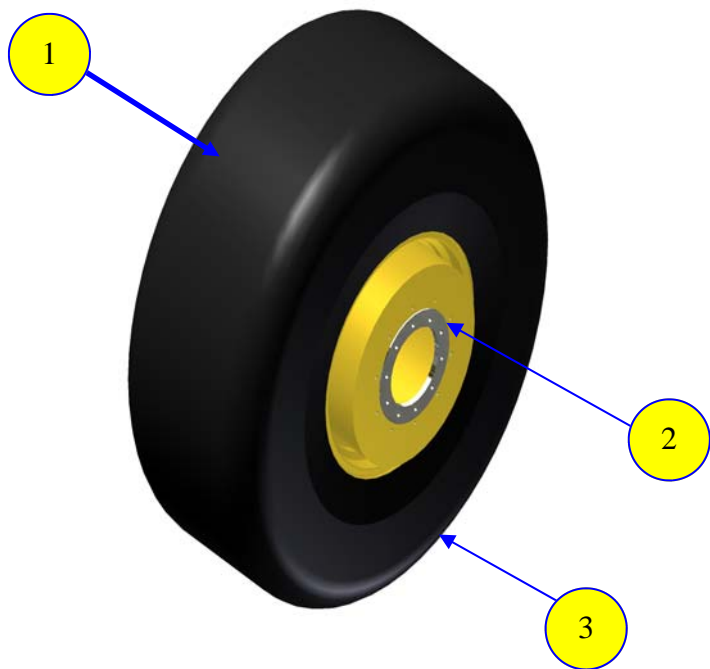
500 TIRES COMPLETE



500 tire lug
Rubber direction needs to be
changed for left and right side

Item #	Qty	Part #	Description	Dimensions	Notes
1	1	313473	Complete 500 tire		Rim, rubber
2	1	313494	500/45 x 22.5 Alliance rubber only 16 PLY		Rubber only
3	1	313495	16 x 22.5 x 8 on 8 bolt Ag wheel 1.5 offset		Rim only

SH-1220 & SH-1830 DUAL WHEELS



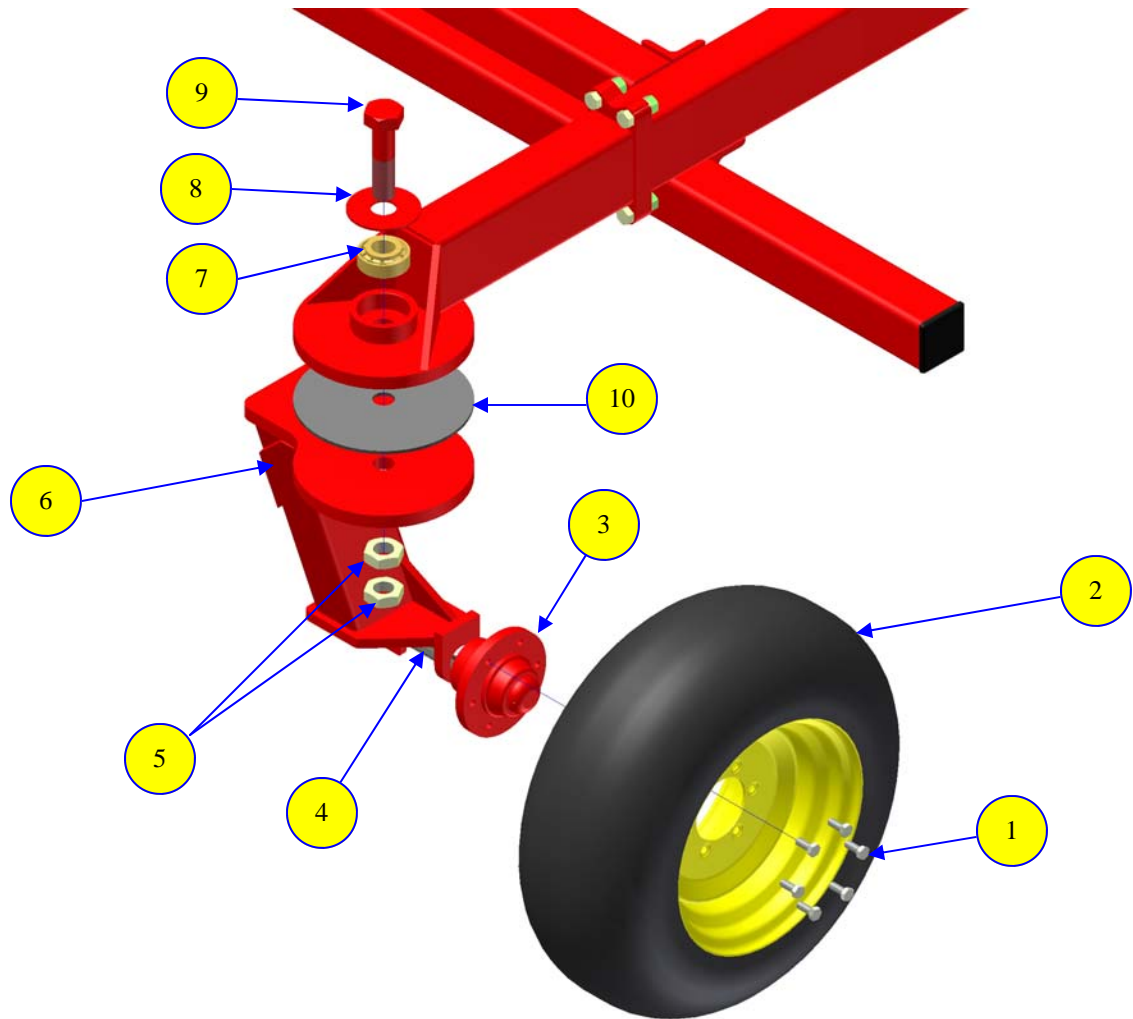
Diamond lug tread (A.N.S)



Bar lug tread (S.A.T)

Item #	Qty	Part #	Description	Dimensions	Notes
1	1	311742	Complete outer 30.5 (S.A.T) bar lug dual		This has rim and tire
1	1	311744	Complete outer 30.5(A.N.S) diamond lug dual		This is complete rim and tire
2	1	313482	DW27x32x10 on 18 outer dual wheel 17.5 offset		Rim only
3	1	311740	30.5 rubber (S.A.T) bar lug		Rubber only
3	1	313463	30.5 rubber (A.N.S) diamond lug		Rubber only
4	1	311741	Complete inner 30.5 (S.A.T) bar lug dual		This is rim and tire
4	1	311743	Complete inner 30.5 (A.N.S) diamond lug dual		This is rim and tire
5	1	313481	DW27x32x10 on 13.19 inner dual wheel 17.5 offset		Rim only

SH 1220-12 WING WHEEL CASTOR ASSEMBLY



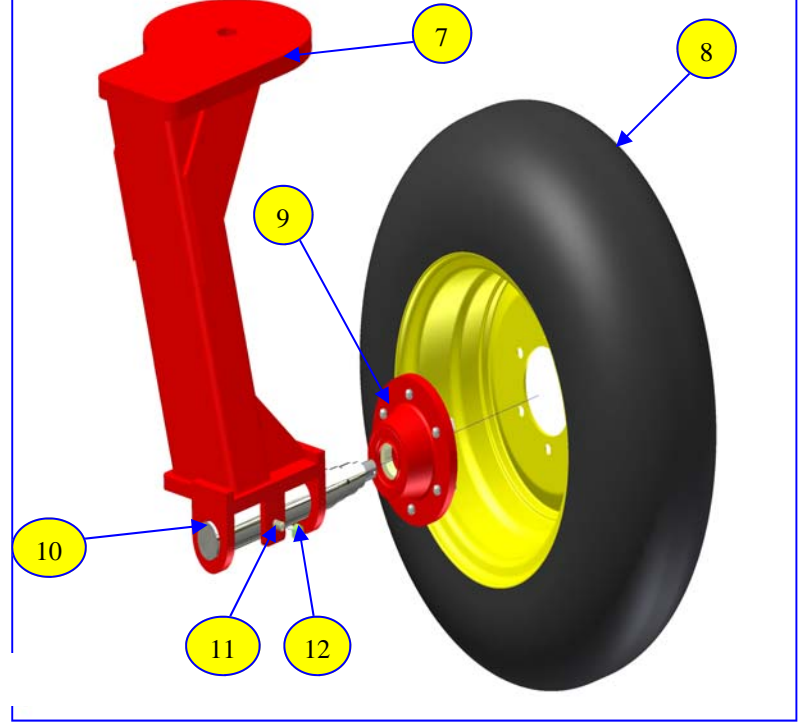
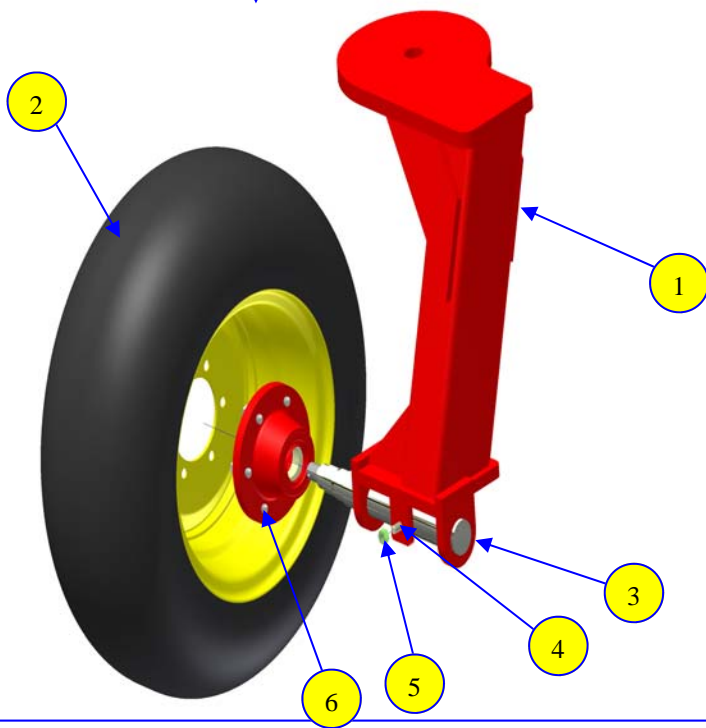
Item #	Qty	Part #	Description	Width	Length	Notes
1	6	312268	Caster hub bolts for 11L and 12L			
2	1	312260	11L15SL (Carlisle) TIRE AND RIM			
3	1	312261	6-Bolt Hub (HA614-1)			Complete with everything in it.
4	1	310785	2 inch spindle single			
5	2	311030	1-1/2 x 6 NF Gr8 HH Bare	1 1/2"	6"	
6	2	312416	wing castor bottom plate			
7	1	313475	32308 Castor bearing (1.5" bore)			
8	1	313109	castor wheel washer			
9	1	311080	1-1/2 NF Gr5 Bare (Hex Jam Nut	1 1/2"		
10	1	313108	wing castor UHMW			

SH 1220-12

LEFT AND RIGHT FRONT SINGLE 11L WING CASTORS

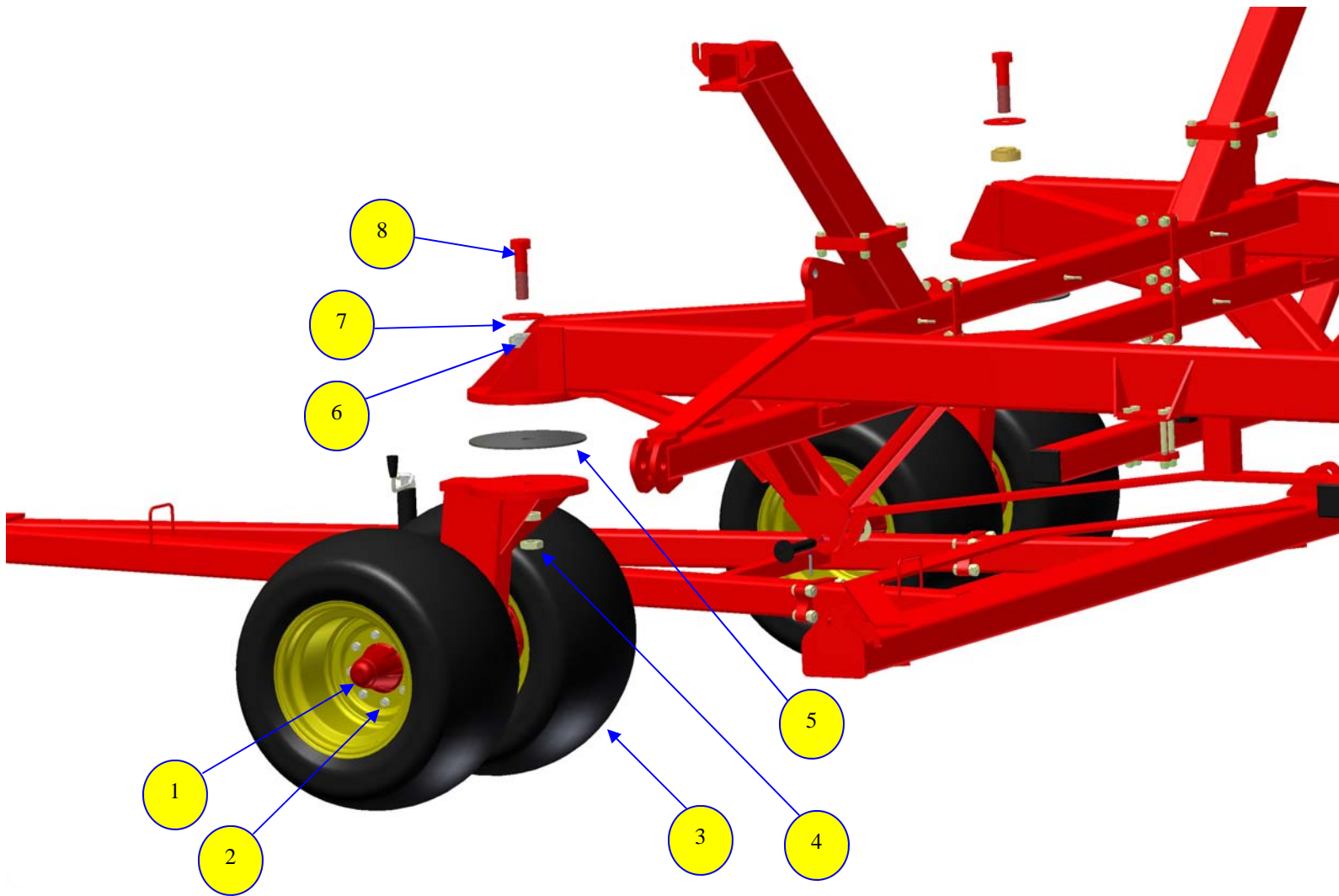
Item #13 is the complete right castor

Item #14 is the complete left castor



Item #	Qty	Part #	Description	Dimension	Notes
1		313600	Left 11L single castor		Left castor (steel only)
2	1	312260	11L15SL (Carlisle) TIRE AND RIM		
3		310785	2" x 16.75" single ended spindle	2" x 16.75"	
4	1	312261	1/2 x 4 NC Gr8 HH YZ	1/2" x 4"	
5	1	311047	1/2 NC Gr2 YZ (Hex Nylon Lock Nut)	1/2"	
6	1	312261	6-Bolt Hub (HA614-1)		
7		313601	Right 11L single castor		Right castor (steel only)
8	1	312260	11L15SL (Carlisle) TIRE AND RIM		
9	1	312261	6-Bolt Hub (HA614-1)		
10		310785	2" x 16.75" single ended spindle	2" x 16.75"	
11	1	312261	1/2 x 4 NC Gr8 HH YZ	1/2" x 4"	
12	1	311047	1/2 NC Gr2 YZ (Hex Nylon Lock Nut)	1/2"	
13	1	312415	Left wing wheel castor		Tire, hub, spindle, castor, fasteners
14	1	312421	Right wing wheel castor.		Tire, hub, spindle, castor, fasteners

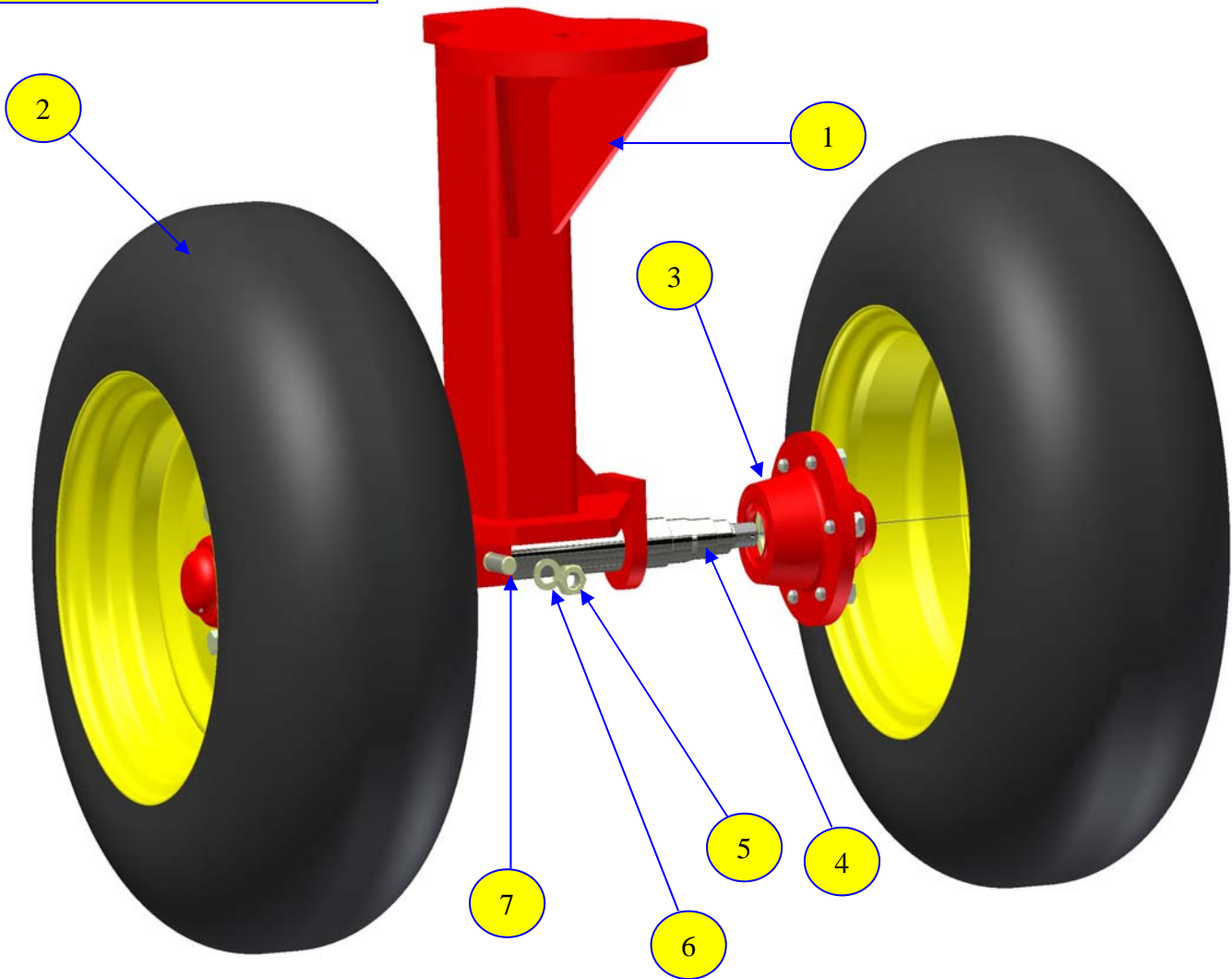
SH 1220-12 12.5/15 FRONT DUAL CASTOR ASSEMBLY



Item #	Qty	Part #	Description	Width	Length	Notes
1	4	311634	HDA812-21 8-bolt hub			
2	32	311637	WB40 Wheel nut for HDA812-21			
3	4	313452	12 L/15 10 Ply on 15*10*8 wheel			
4	4	311030	1-1/2 x 6 NF Gr8 HH Bare	1 1/2"	6"	
5	2	313107	main frame castor UHMW			
6	2	313475	32308 Castor bearing (1.5" bore)			
7	2	313109	castor wheel washer			
8	2	311080	1-1/2 NF Gr5 Bare (Hex Jam Nut	1 1/2"		

SH 1220-12 FRONT DUAL WING CASTOR(11L TIRES)

Item # 8 is complete front dual castor

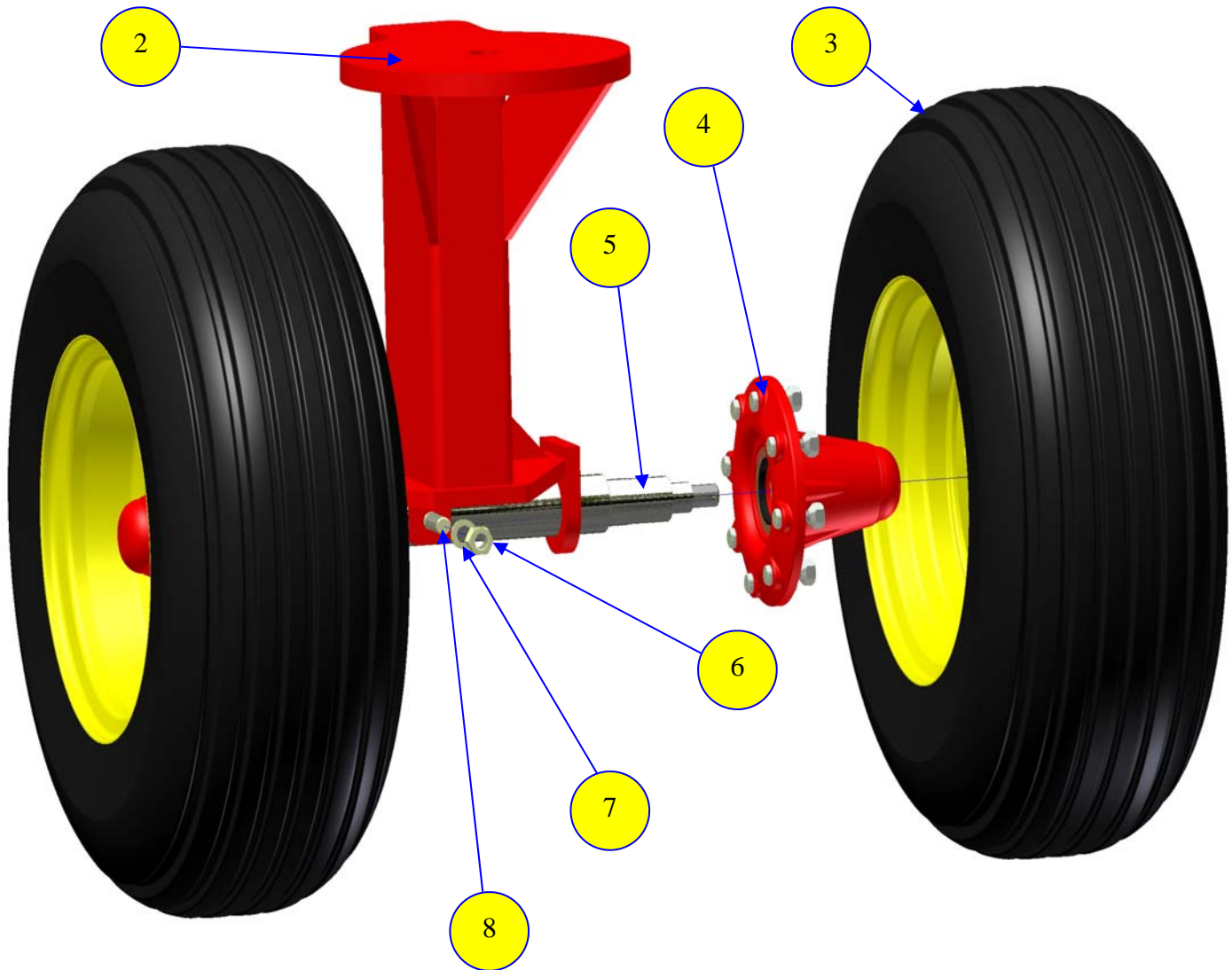


Item #	Qty	Part #	Description	Dimensions	Notes
1	1	313604	11L dual wing castor		Steel only
2	2	312260	11L15SL (Carlisle) TIRE AND RIM		Complete tire on rim.
3	2	312261	6-Bolt Hub (HA614-1)		
4	1	311647	6-bolt hub & 2" dual spindle assy	2" x 27"	
5	1	310226	3/4 NC Gr5 YZ (Hex Nut)	3/4"	
6	1	310227	3/4 YZ (Lock Washer)	3/4"	
7	1	310999	3/4 x 5-1/2 NC Gr8 HH YZ	3/4 x 5 1/2"	
8	1	313628	Complete dual front wing castor		Castor, tires, hubs, spindle, fasteners

SH 1220-12

FRONT DUAL MAIN FRAME 12.5 TIRE CASTORS

Item #1 is the everything seen here in this picture

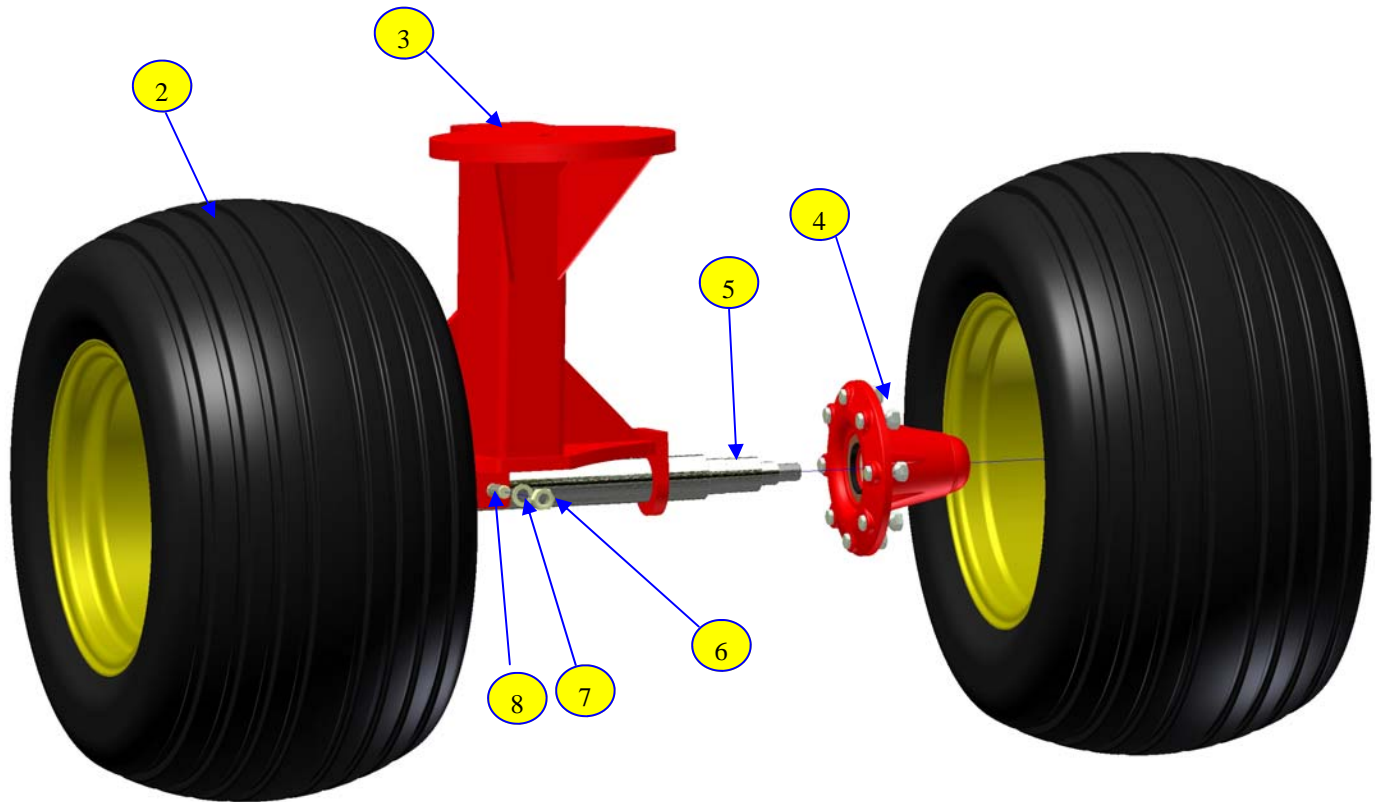


Item #	Qty	Part #	Description	Dimensions	Notes
1	1	313626	Complete castor		Castor, tires, hubs, spindle, fasteners
2	1	313603	12.5L dual castor		Steel only
3	2	313452	12 L/15 10 Ply on 15*10*8 wheel		Complete tire on rim.
4	2	311634	HDA812-21 8-bolt hub		With everything in it.
5	1	311807	2.5" X 30" double ended spindle 8 bolt hub	2.5" x 30"	Comes with castor nuts.
6	1	310226	3/4 NC Gr5 YZ (Hex Nut)	3/4"	
7	1	310227	3/4 YZ (Lock Washer)	3/4"	
8	1	310999	3/4 x 5-1/2 NC Gr8 HH YZ	3/4" x 5 1/2"	

SH 1220-12

FRONT DUAL MAIN FRAME 19.5 TIRE CASTORS

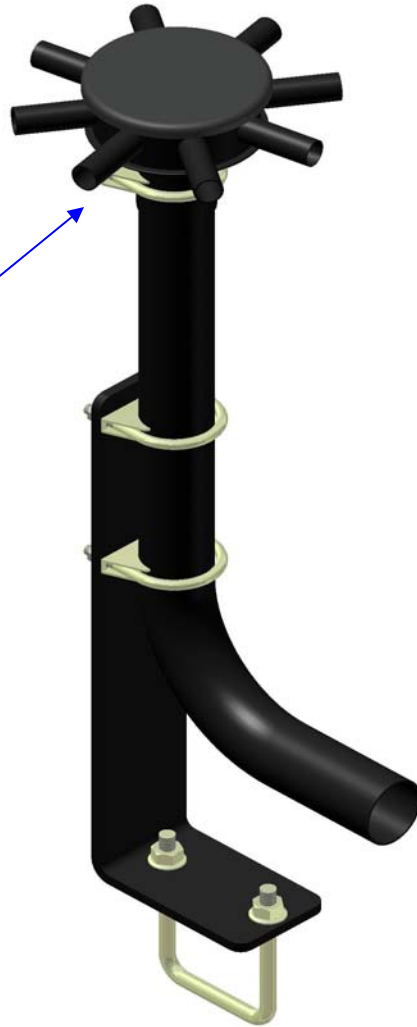
Item #1 is the complete front 19.5 castor



Item #	Qty	Part #	Description	Dimensions	Notes
1	1	313627	Complete front 19.5 castor		Castor, tires, hubs, spindle, fasteners
2	2	313453	19/45 x 17 10 Ply on 17*16*8 wheel		Complete tire on rim.
3	1	313602	19.0 dual fattie castor (steel only)		Steel only
4	2	311634	HDA812-21 8-bolt hub		With everything in it.
5	1	311587	2.5" X 38" double ended spindle fattie	2.5" x 38"	Spindle comes with castor nuts.
6	1	310226	3/4 NC Gr5 YZ (Hex Nut)	3/4"	
7	1	310227	3/4 YZ (Lock Washer)	3/4"	
8	1	310999	3/4 x 5-1/2 NC Gr8 HH YZ	3/4" x 5 1/2"	

SH 1220-12 COMPLETE SECONDARY TOWER

Complete air kit with different heads everything seen in picture

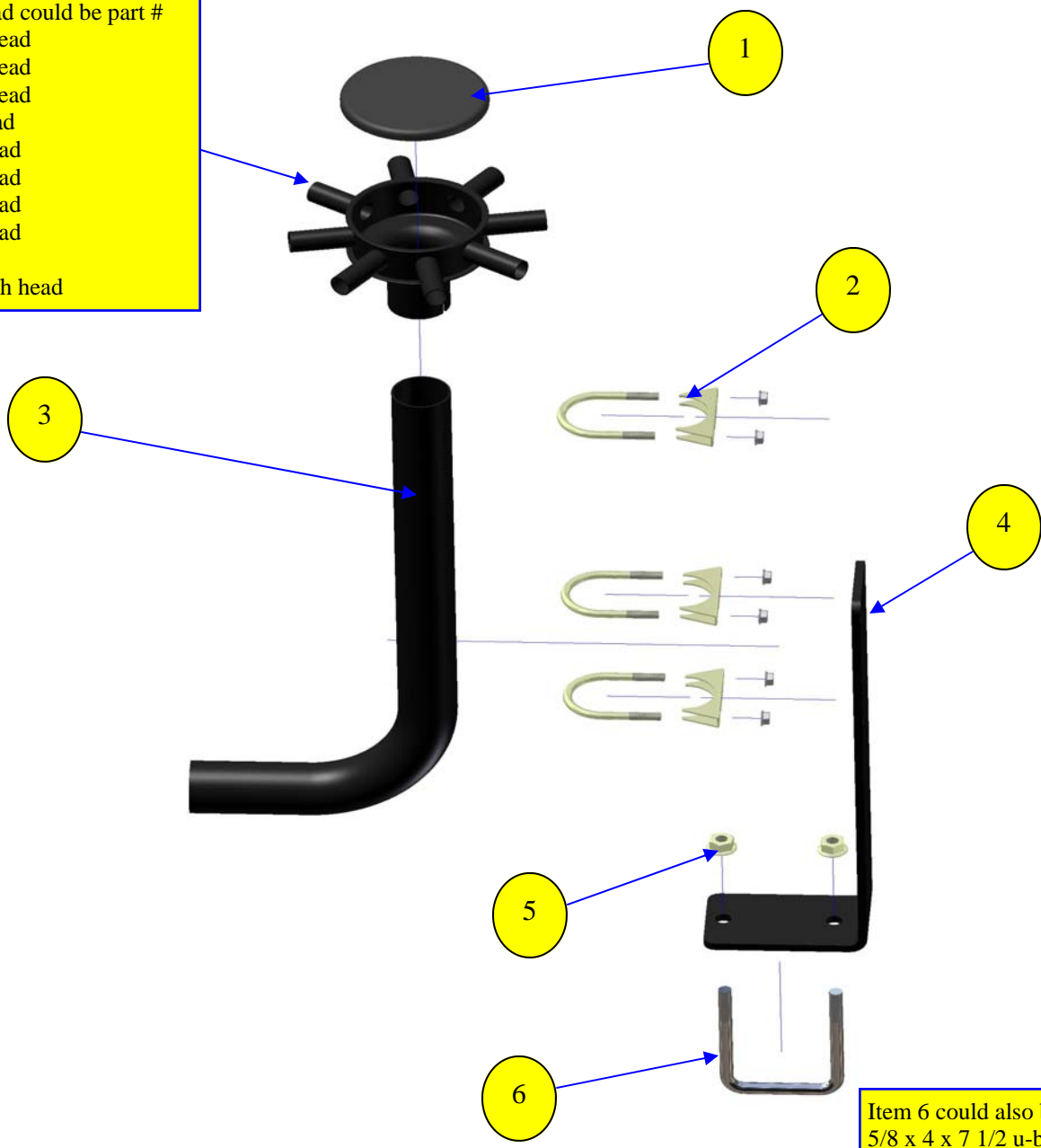


Item #	Qty	Part #	Description	Dimensions	Notes
	1	313520	Complete 5 run tower		
	1	313521	Complete 6 run tower		
	1	313522	Complete 7 run tower		
	1	313523	Complete 8 run tower		
	1	313524	Complete 9 run tower		
	1	313525	Complete 10 run tower		
	1	313526	Complete 11 run tower		
	1	313527	Complete 12 run tower		

SH 1220-12 SECONDARY TOWERS EXPLODED

The secondary head could be part #
 313275 – 12 run head
 313276 – 11 run head
 313277 – 10 run head
 313278 - 9 run head
 313279 - 8 run head
 313280 - 7 run head
 313281 - 6 run head
 313282 - 5 run head

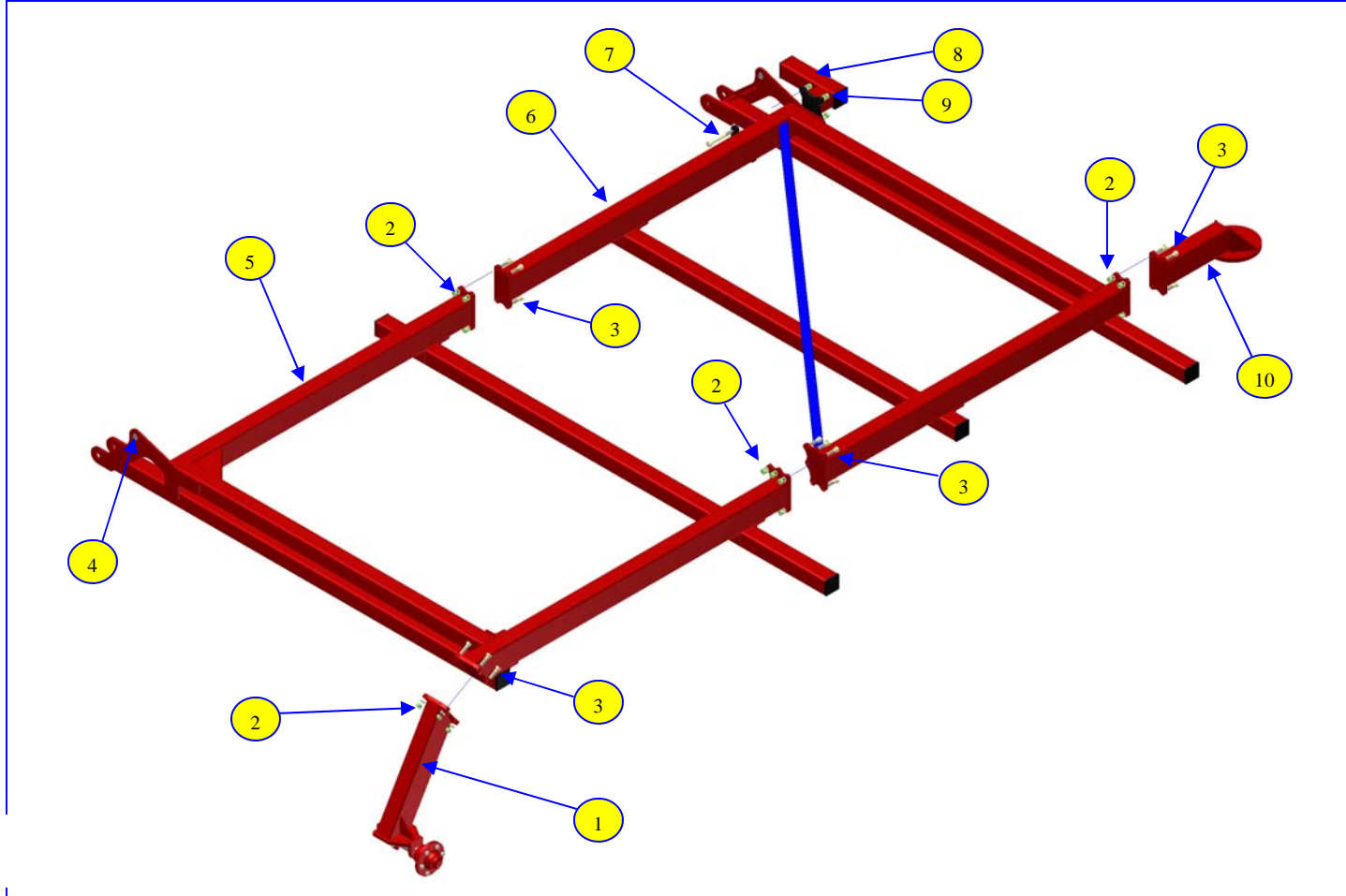
Item #1 comes with head



Item 6 could also be a part #
 5/8 x 4 x 7 1/2 u-bolt?

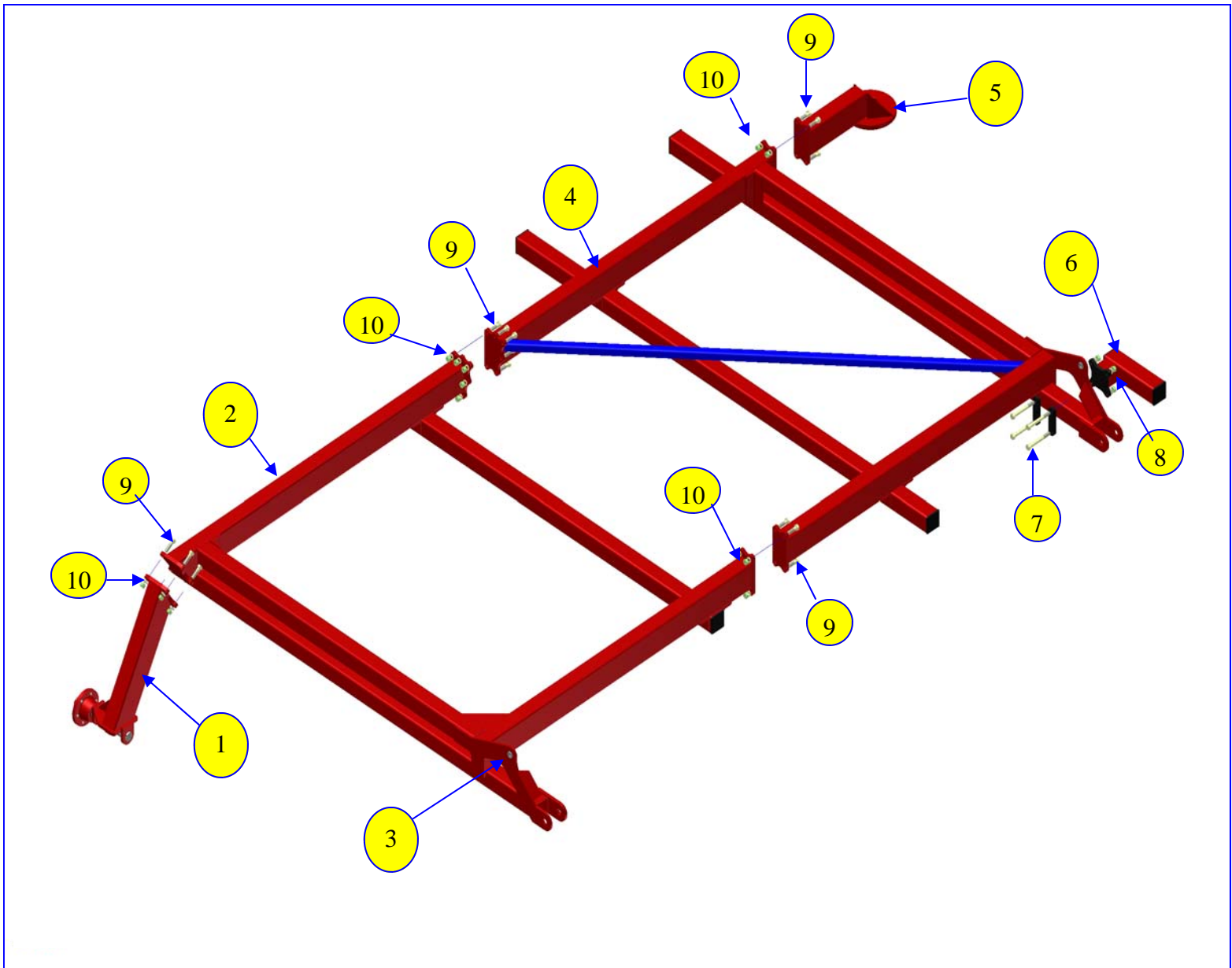
Item #	Qty	Part #	Description	Dimensions	Notes
1	1	313283	Raycol rubber caps (for 2nd heads)		
2	3	313285	2.5" muffler clamp w/saddle - YZ	2 1/2" clamp	
3	1	313284	Powder coated riser tube		
4	1	312949	riser stand		
5	2	311055	5/8 NC Gr5 YZ (Hex serrated Flange Nut)	5/8"	
6	1	311091	5/8 x 4 x 5-1/2 NC Gr5 YZ (Square U-bolt)	5/8" x 4" x 4 1/2"	

SH 1220-12 RIGHT WING COMPONENTS, FASTENERS



Item #	Qty	Part #	Description	Dimensions	Notes
1	1	310791	Right rear wing wheel		
2	18	310226	3/4 NC Gr5 YZ (Hex Nut)	3/4"	18 of #310227 lock washers
3	18	310339	3/4 x 2-1/2 NC Gr8 HH YZ	3/4" x 2 1/2"	
4	2	312893	150100100 Spring bushing(1-1/2"x 1"x1")	1 1/2" x 1" x 1"	
5	1	313500	Bolted 40-10 & 12 right rear wing section(2007)		
6	1	313501	Bolted 40-10 & 12 right front wing section(2007)		
7	4	311002	3/4 x 6-1/2 NC Gr8 HH YZ	3/4" x 6 1/2"	Fasteners and two back plates.
8	1	310803	10" Bolted wing opener stub		
9	4	310339	3/4 NC Gr5 YZ (Hex Nut)	3/4"	4 of #310227 lock washers
10	1	312215	bolted wing castor mount		No bearing.

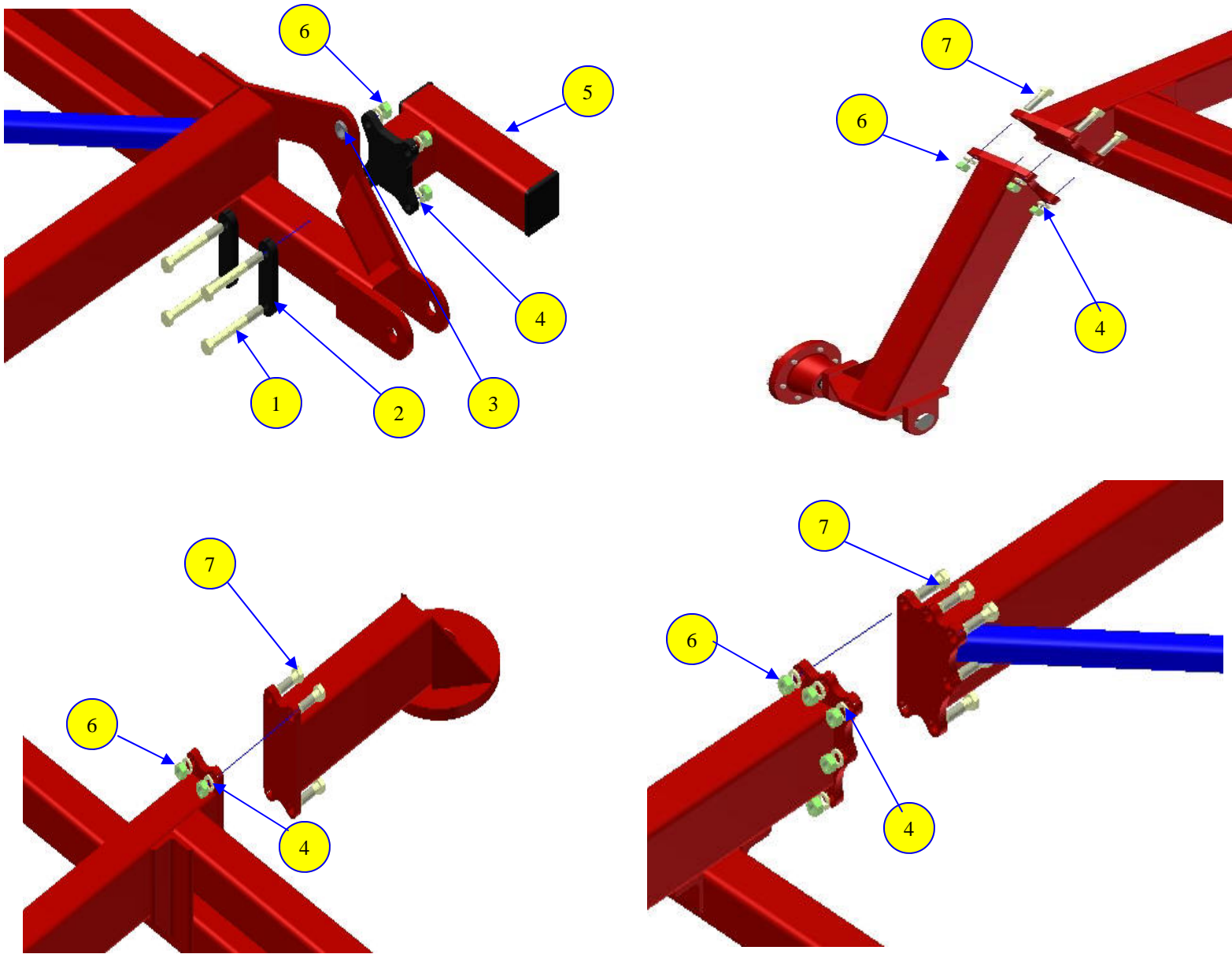
SH 1220-12 3-PLEX BOLT TOGETHER LEFT WING



Item #	Qty	Part #	Description	Dimensions	Notes
1	1	310780	Left rear wing wheel (no hub or tire)		Fasteners and spindle (no tire)
2	1	313503	Bolted 40-10 & 12 Left rear wing section(2007)		
3	2	312893	150100100 Spring bushing(1-1/2"x 1"x1")	1 1/2" x1" x1"	
4	1	313502	Bolted 40-10 & 12 left front wing section(2007)		
5	1	312215	bolted wing castor mount		No bearing
6	1	310803	10" Bolted wing opener stub		Fasteners and two back plates.
7	4	311002	3/4 x 6-1/2 NC Gr8 HH YZ		
8	4	310339	3/4 NC Gr5 YZ (Hex Nut)		4 of #310227 lock washers
9	18	310339	3/4 x 2-1/2 NC Gr8 HH YZ		
10	18	310226	3/4 NC Gr5 YZ (Hex Nut)		18 of #310227 lock washers

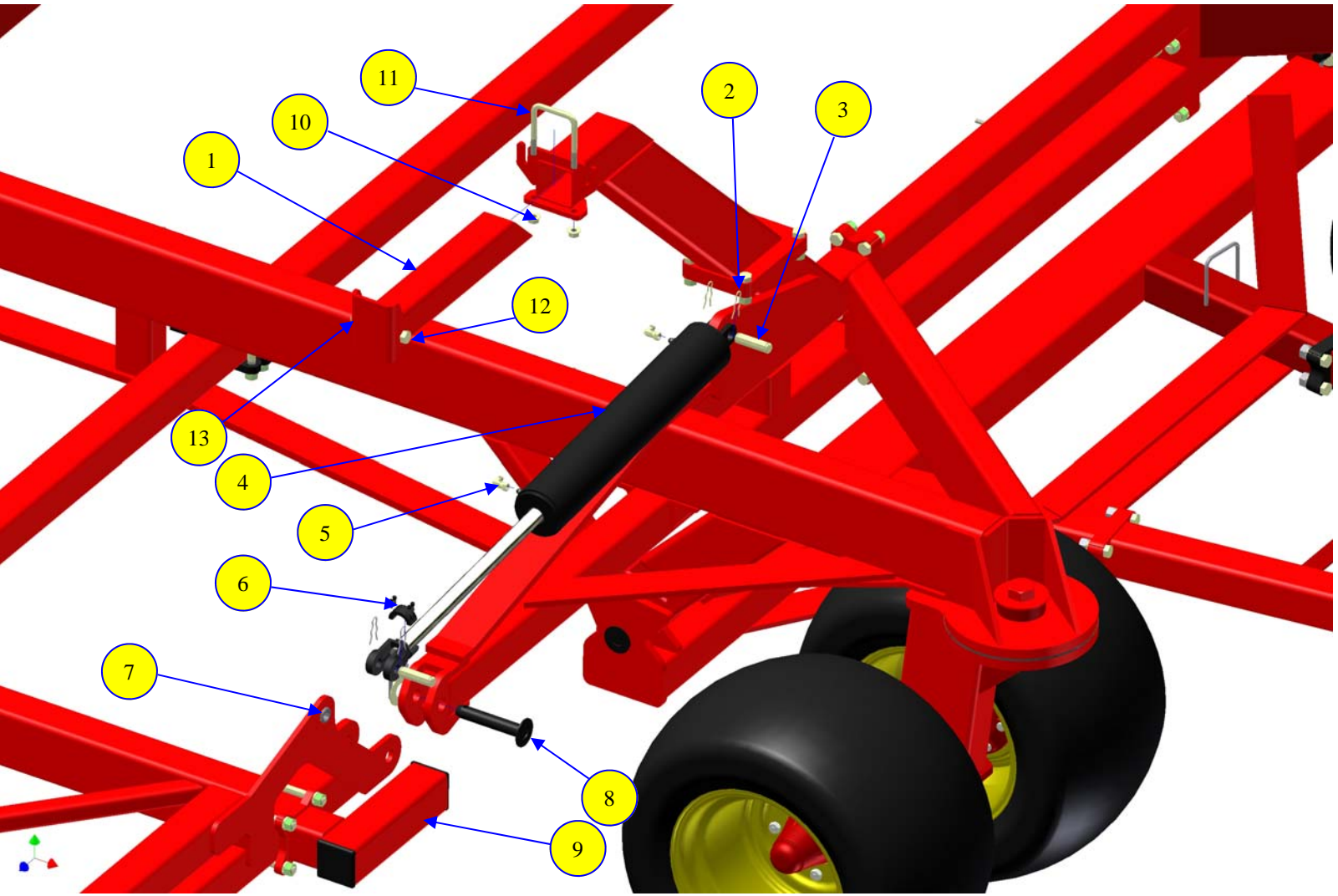
SH 1220-12

3 PLEX BOLT TOGETHER WING(FASTENERS,COMPONENTS)



Item #	Qty	Part #	Description	Dimensions	Notes
1	4	311002	3/4 x 6-1/2 NC Gr8 HH YZ		
2	4	310807	Bolted frame rank plate 2 STD		
3	2	312893	150100100 Spring bushing(1-1/2"x 1"x1")	1 1/2" x1" x1"	
4	18	310227	3/4" lock washers	3/4"	
5	1	310803	10" Bolted wing opener stub		
6	18	310226	3/4 NC Gr5 YZ (Hex Nut)	3/4"	
7	14	310339	3/4 x 2-1/2 NC Gr8 HH YZ		

SH 1220-12 WING CONNECTION



Item #	Qty	Part #	Description	Dimensions	Notes
1	1	313605	Wing stop adjuster complete(2007)		
2	1	312894	125100100 Spring bushing(1-1/4"x1"x1")		
3	2	312871	1" x 2-7/8" usable cylinder pin -YZ		
4	1	312705	4" x 24" wing cylinder(3/8 ports) 1-1/2" chrome shaft		
5	2	312532	6500-0606 Steel 3/8 M JIC x 3/8 F JIC 90		
6	1	312889	1-1/2" 2 piece collar stop-1-1/2"W		
7	1	312893	150100100 Spring bushing(1-1/2"x 1"x1")		
8	1	311202	1 1/4" flat washer (Yellow zinc)		
	1	310590	1-1/4 CR 1018 shaft		
	1		3/8" x 2 1/2" roll pin		
9	1	310803	10" Bolted wing opener stub		
10	2	311055	5/8 NC Gr5 YZ (Hex serrated Flange Nut)	5/8"	
11	1	311091	5/8 x 4 x 5-1/2 NC Gr5 YZ (Square U-bolt)	5/8" x 4" x 5 1/2"	
12	1	310999	3/4 x 5-1/2 NC Gr8 HH YZ	3/4" x 5 1/2"	
13	1	310205	3/4 NC Gr5 YZ (Hex Stover Nut)	3/4"	2 of #311118 3/4 10 gauge machined bushing Gr2 YZ